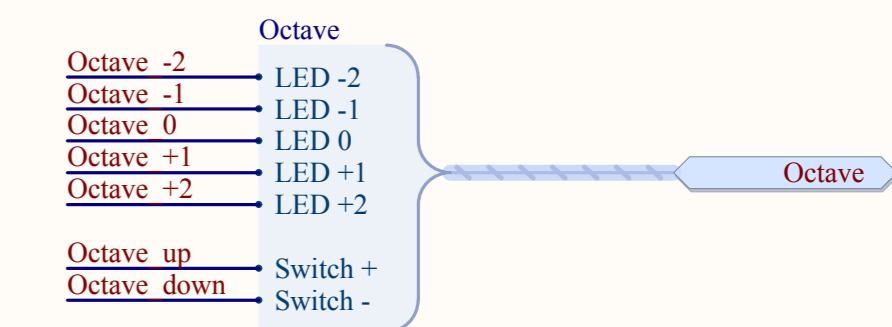
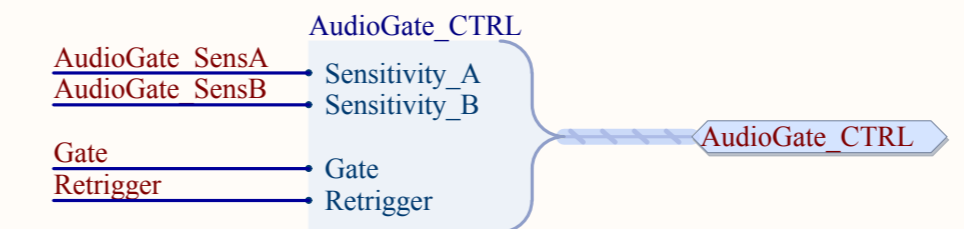
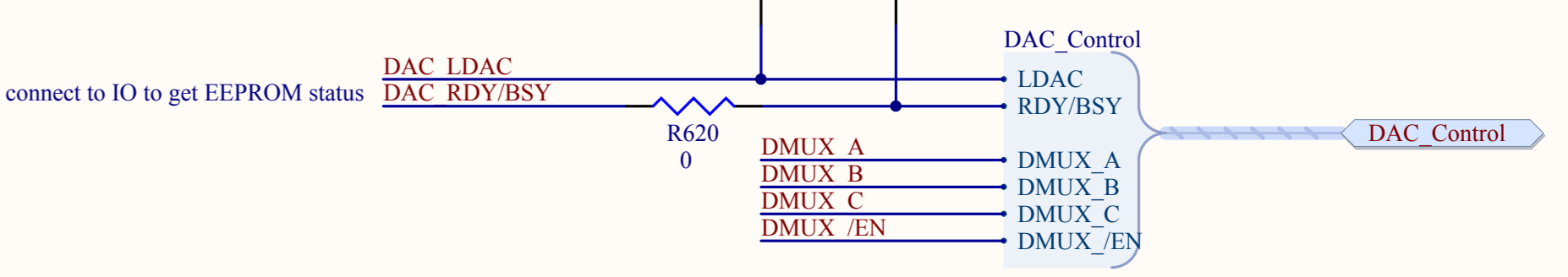
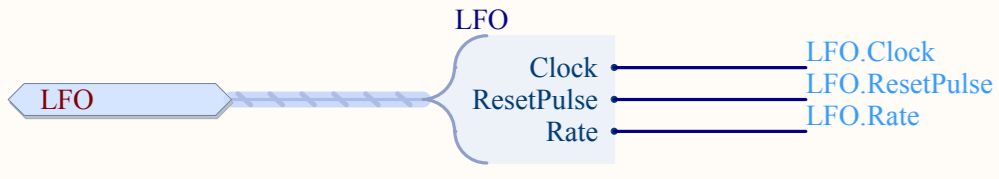
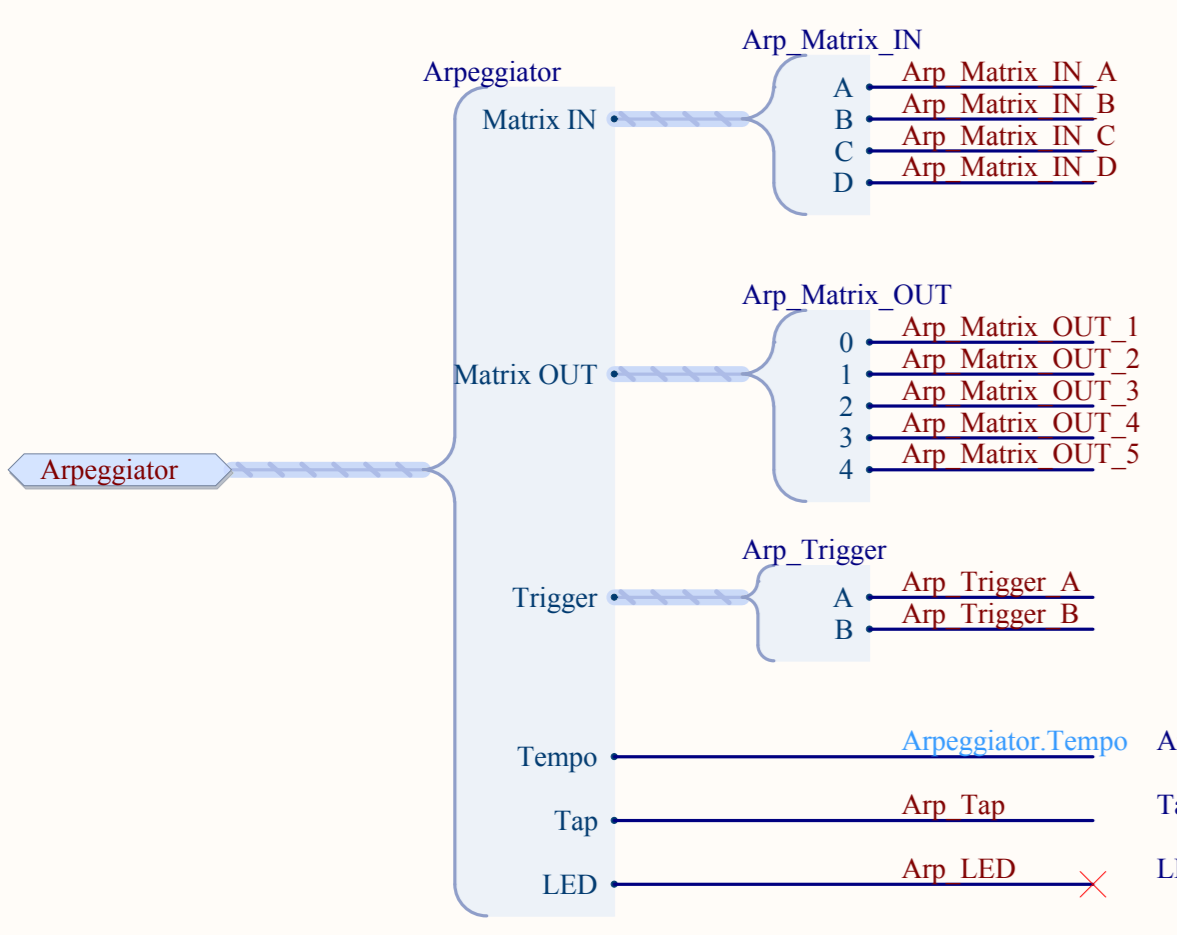


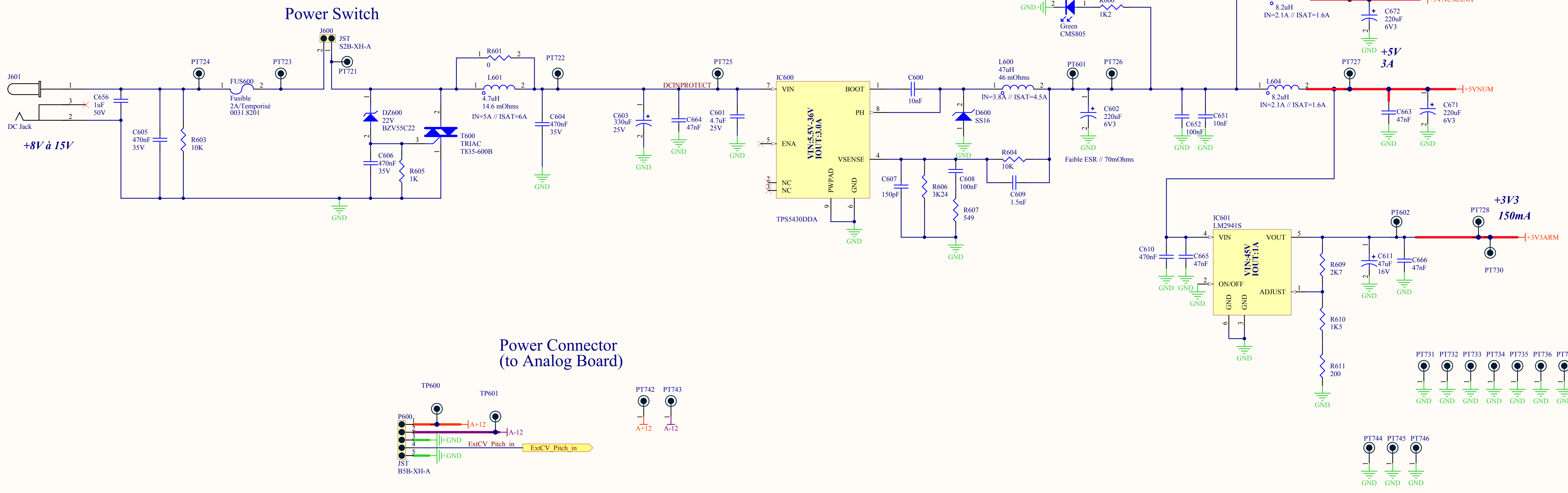
Analog to Digital Converter



Transpose

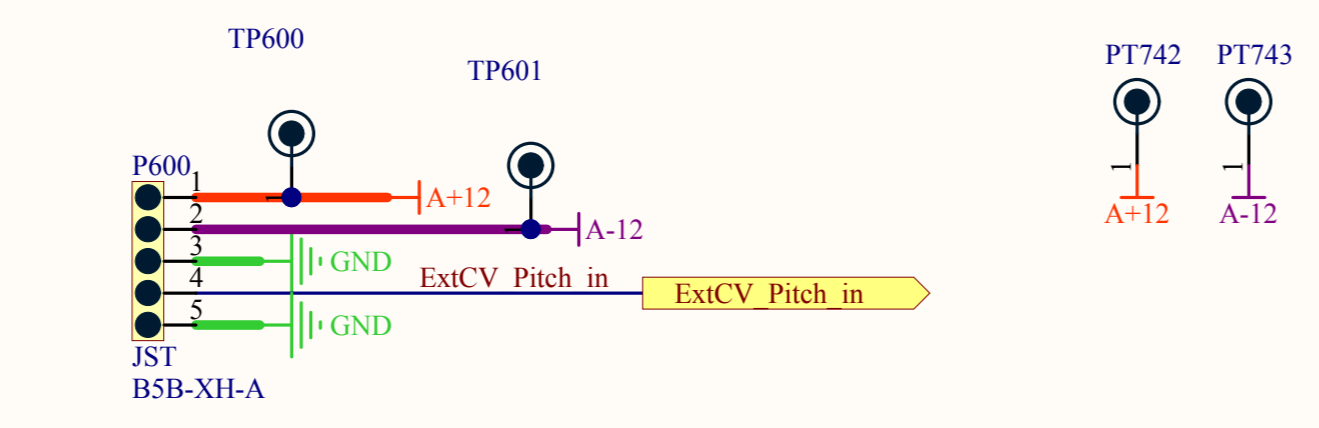
Keyboard Connector



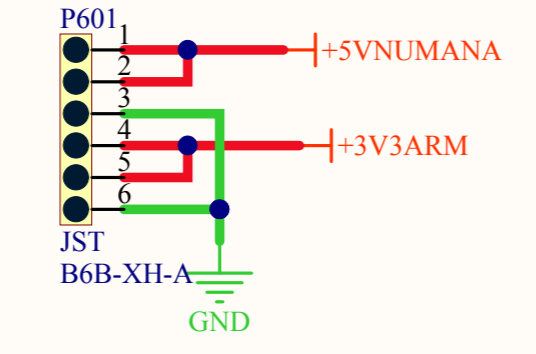


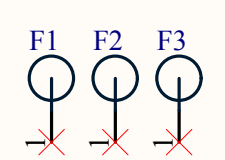
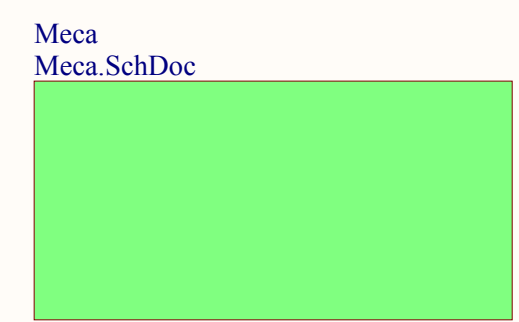
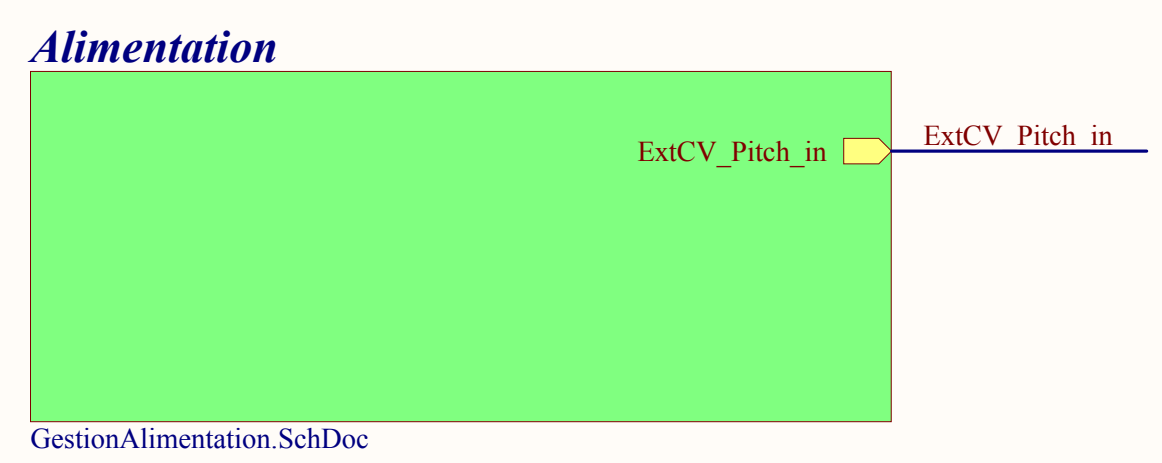
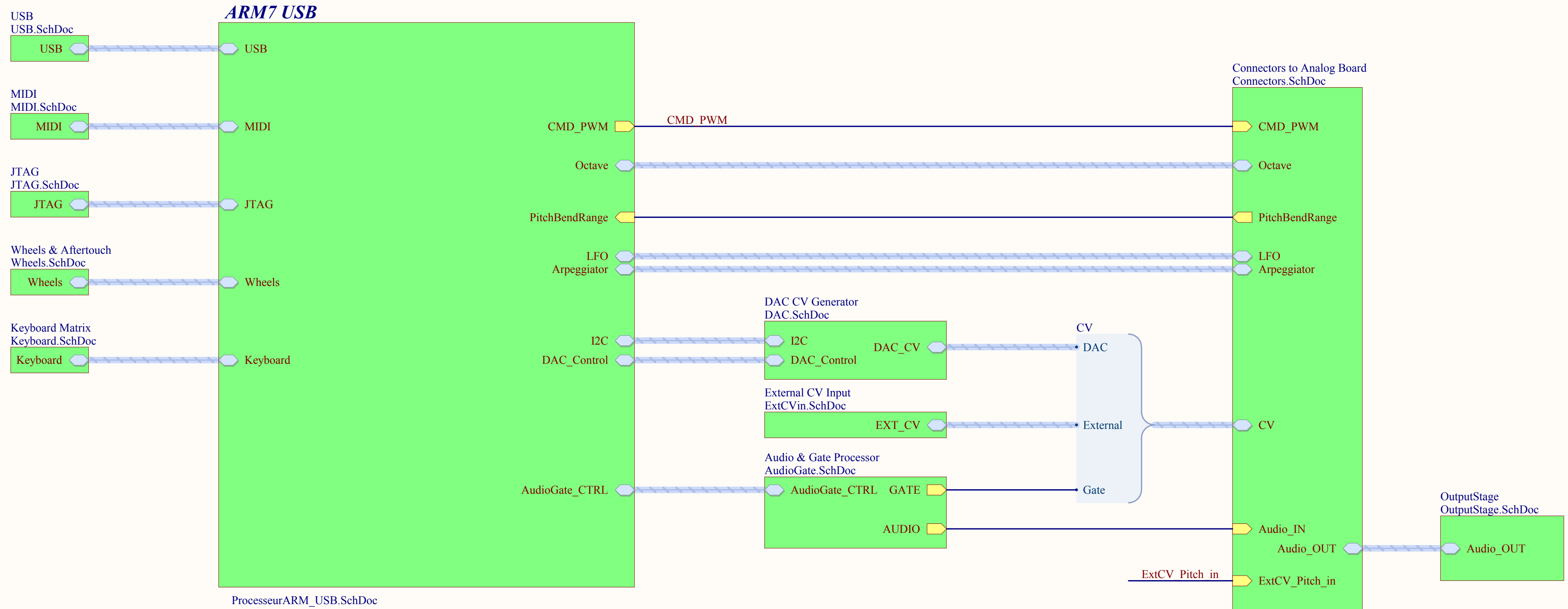
Power Switch

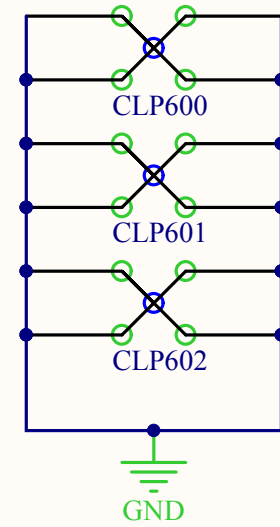
**Power Connector
(to Analog Board)**



Analog Power Supply




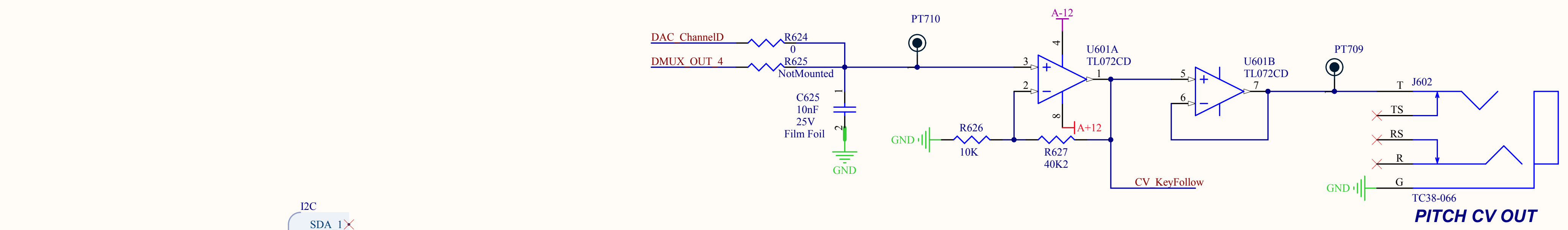




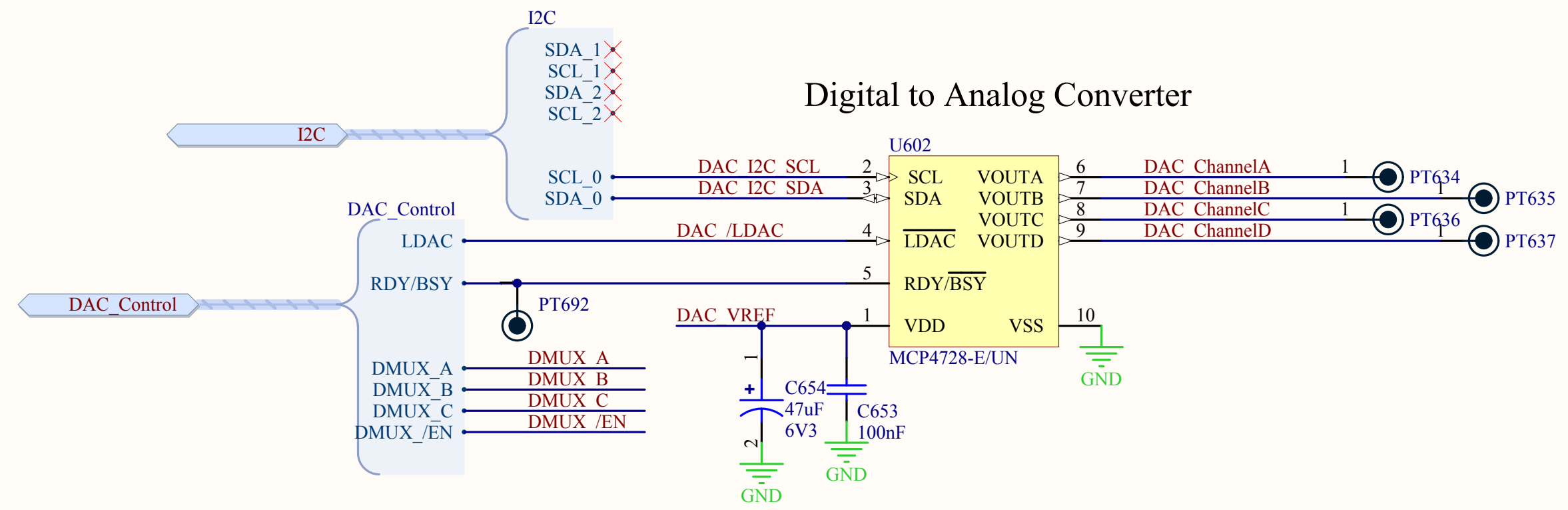
PCB Reference points



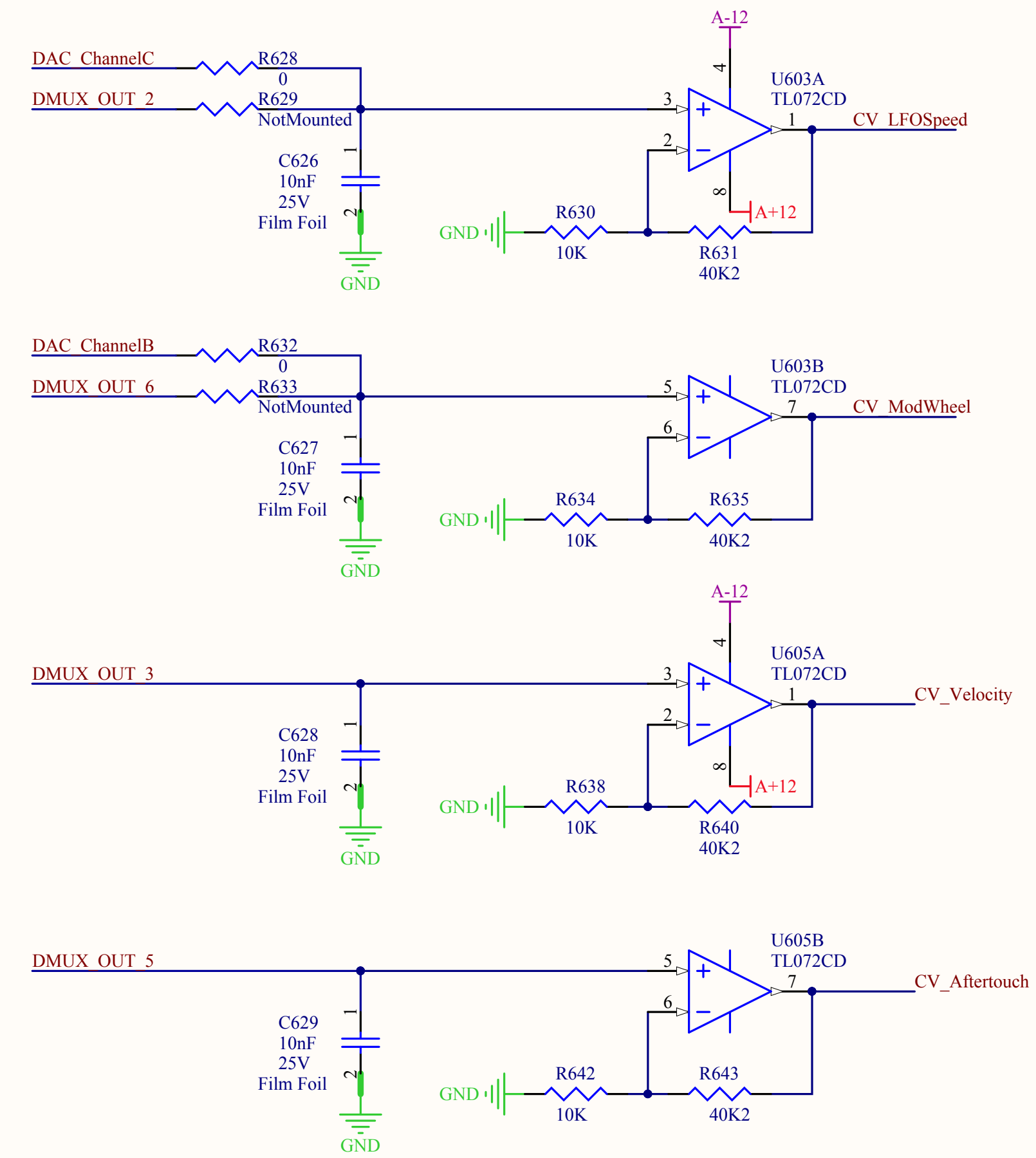
	Design :	ARTURIA & Yves USSON	<small>Details of this schematic are subject to change without notice. Any modification to any MiniBrute will immediately void its warranty. Arturia or any of its affiliates will not accept responsibility for any damages, personal loss or injury that may result from any modification to the device.</small>	PAGE 4 / 14
	Meca.SchDoc Schematics	Project : miniBrute 13001 - AnalogBoard	Revision : C Public Release	



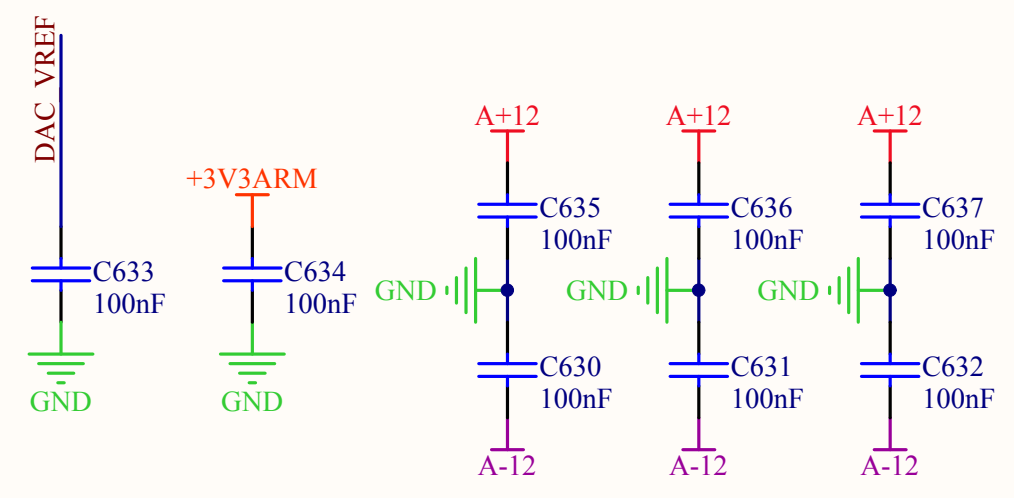
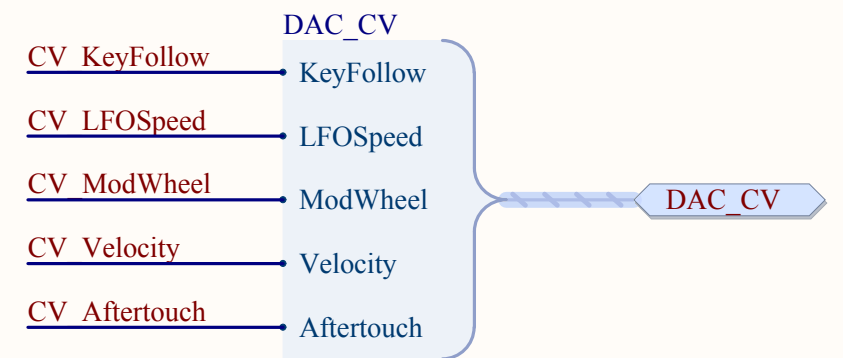
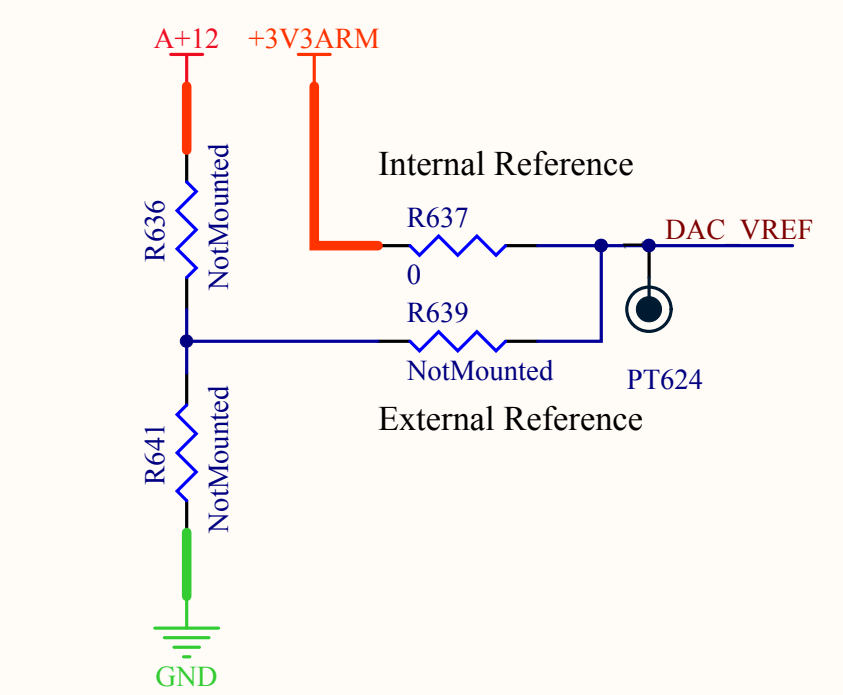
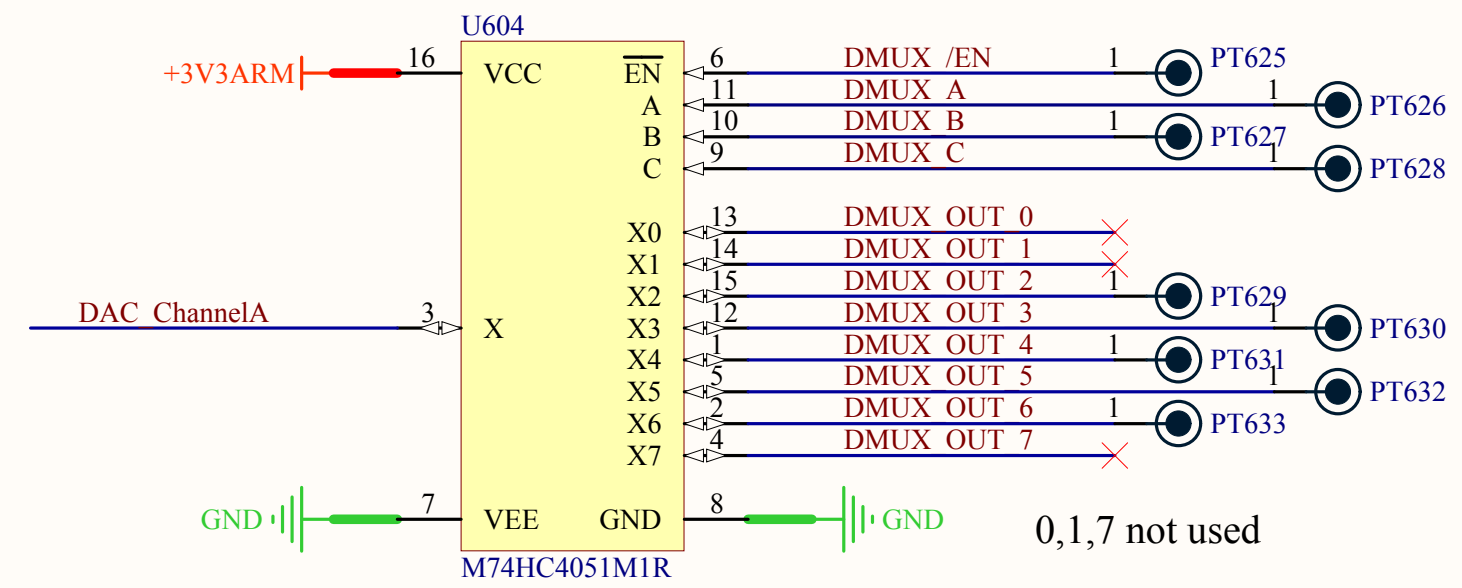
Digital to Analog Converter

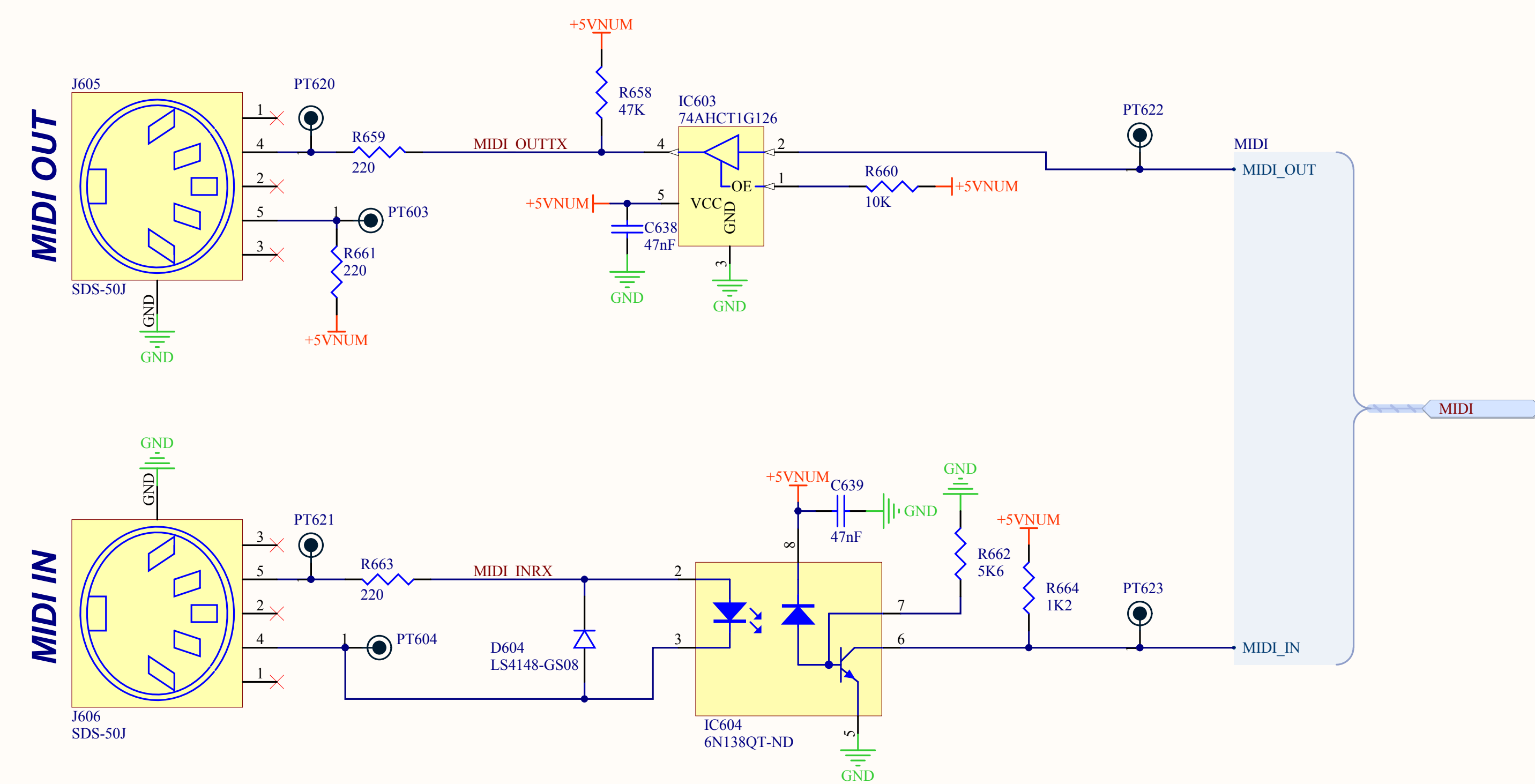


Hold Gain Stages (x5)

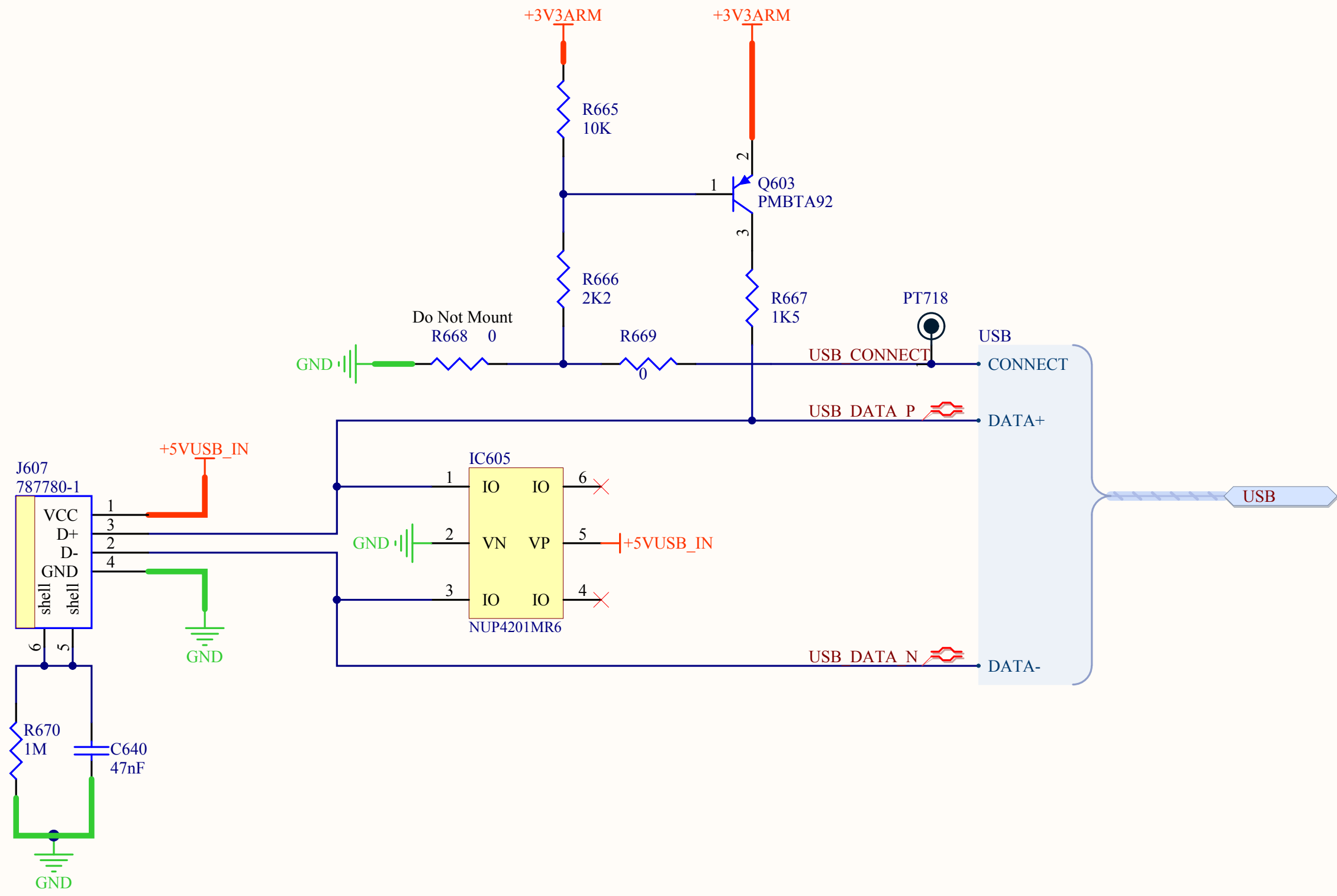



Demultiplexer

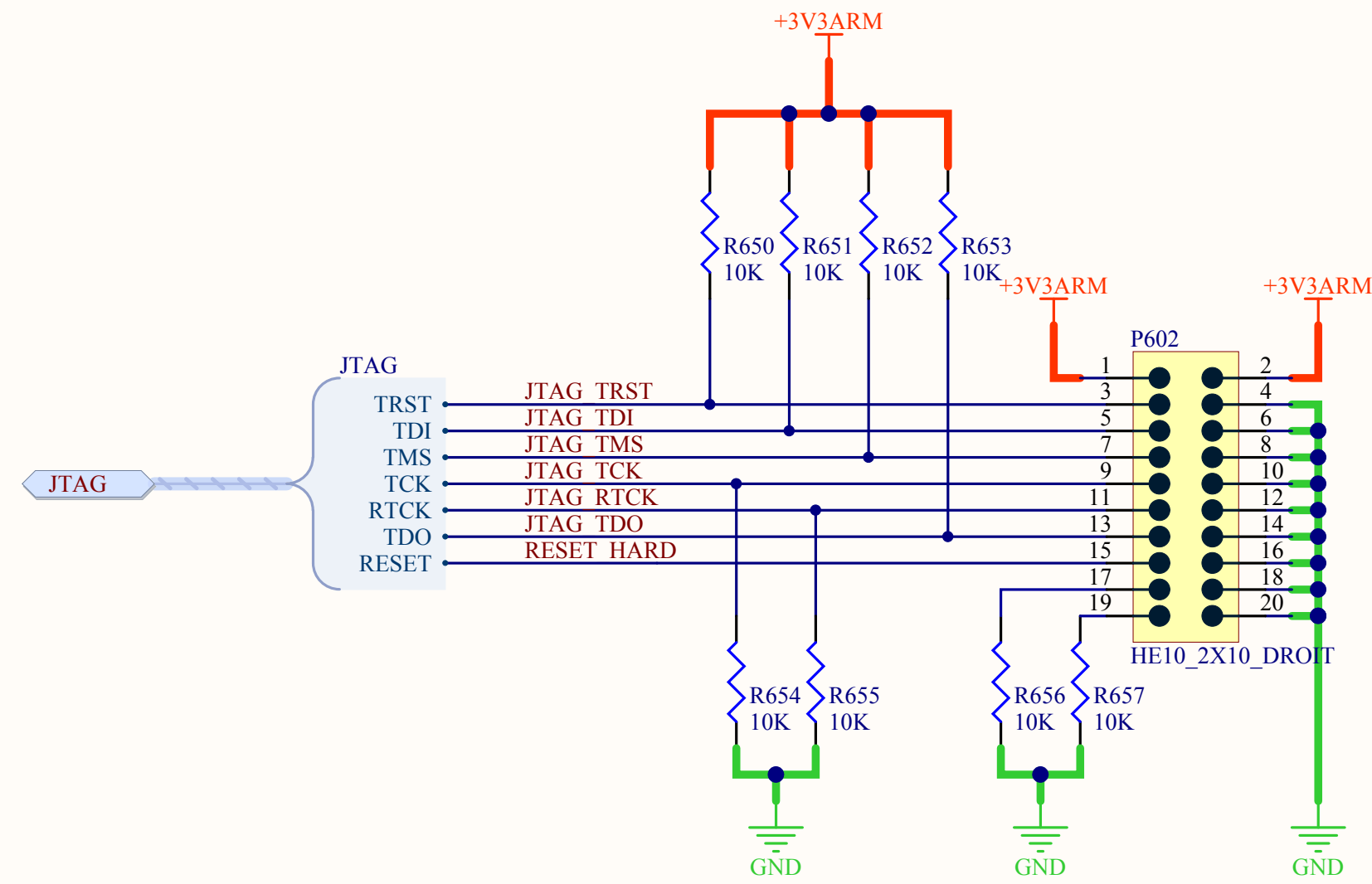





Design : ARTURIA & Yves USSON	Details of this schematic are subject to change without notice. Any modification to any MiniBrute will immediately void its warranty. Arturia or any of its affiliates will not accept responsibility for any damages, personal loss or injury that may result from any modification to the device.		PAGE 6 / 14
	MIDLSchDoc Schematics	Project : miniBrute 13001 - AnalogBoard	Revision : C Public Release



	Design :	ARTURIA & Yves USSON	Details of this schematic are subject to change without notice. Any modification to any MiniBrute will immediately void its warranty. Arturia or any of its affiliates will not accept responsibility for any damages, personal loss or injury that may result from any modification to the device.	PAGE
	USB.SchDoc			Project : miniBrute
	Schematics		13001 - AnalogBoard	Revision : C Public Release

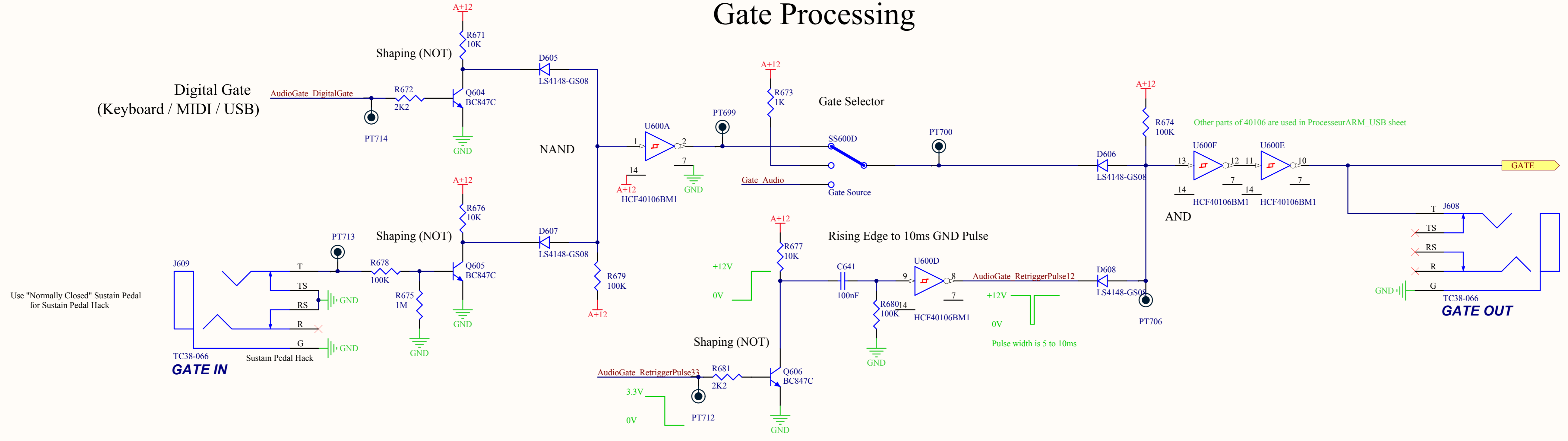


	Design : ARTURIA & Yves USSON	Details of this schematic are subject to change without notice. Any modification to any MiniBrute will immediately void its warranty. Arturia or any of its affiliates will not accept responsibility for any damages, personal loss or injury that may result from any modification to the device.		PAGE 8 / 14
	JTAG.SchDoc Schematics	Project : miniBrute 13001 - AnalogBoard	Revision : C Public Release	

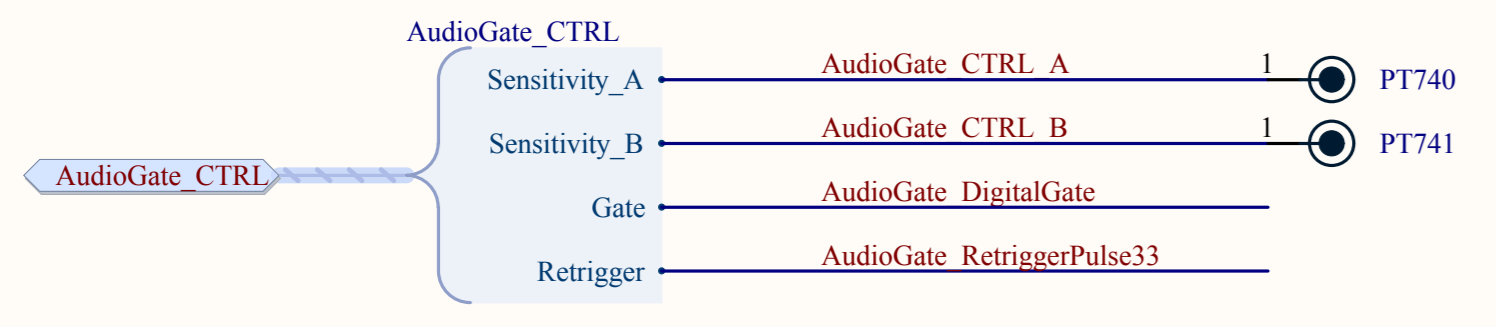
Gate Processing

Digital Gate (Keyboard / MIDI / USB)

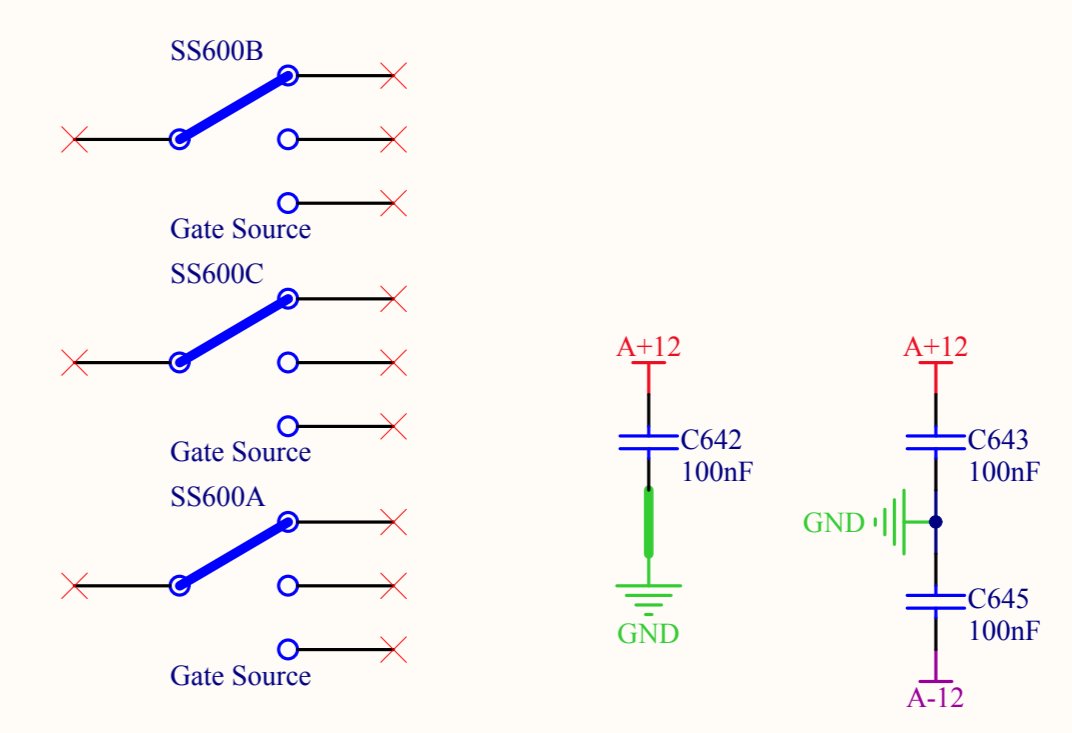
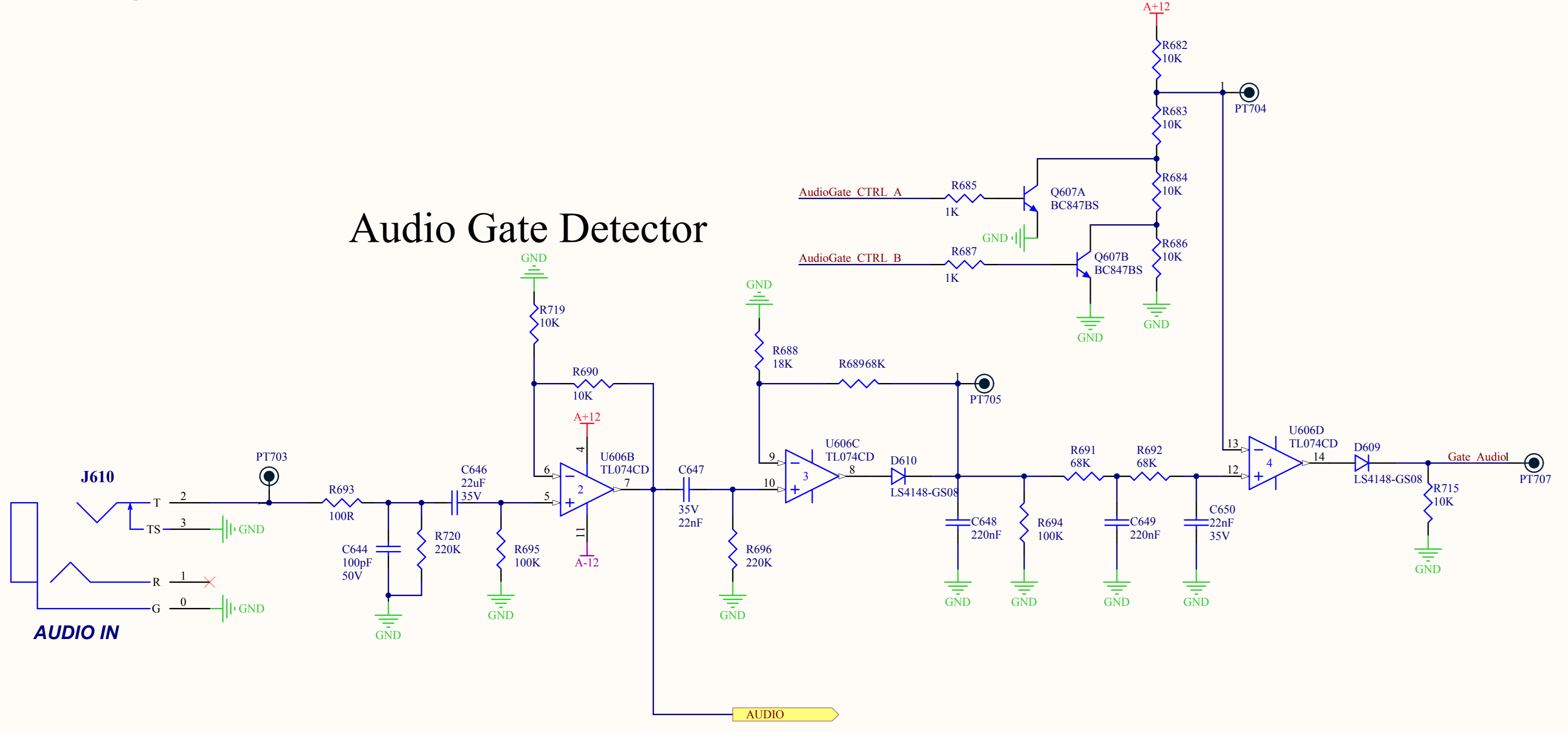
Use "Normally Closed" Sustain Pedal for Sustain Pedal Hack



Other parts of 40106 are used in ProcesseurARM_USB sheet



Audio Gate Detector



A

A

B

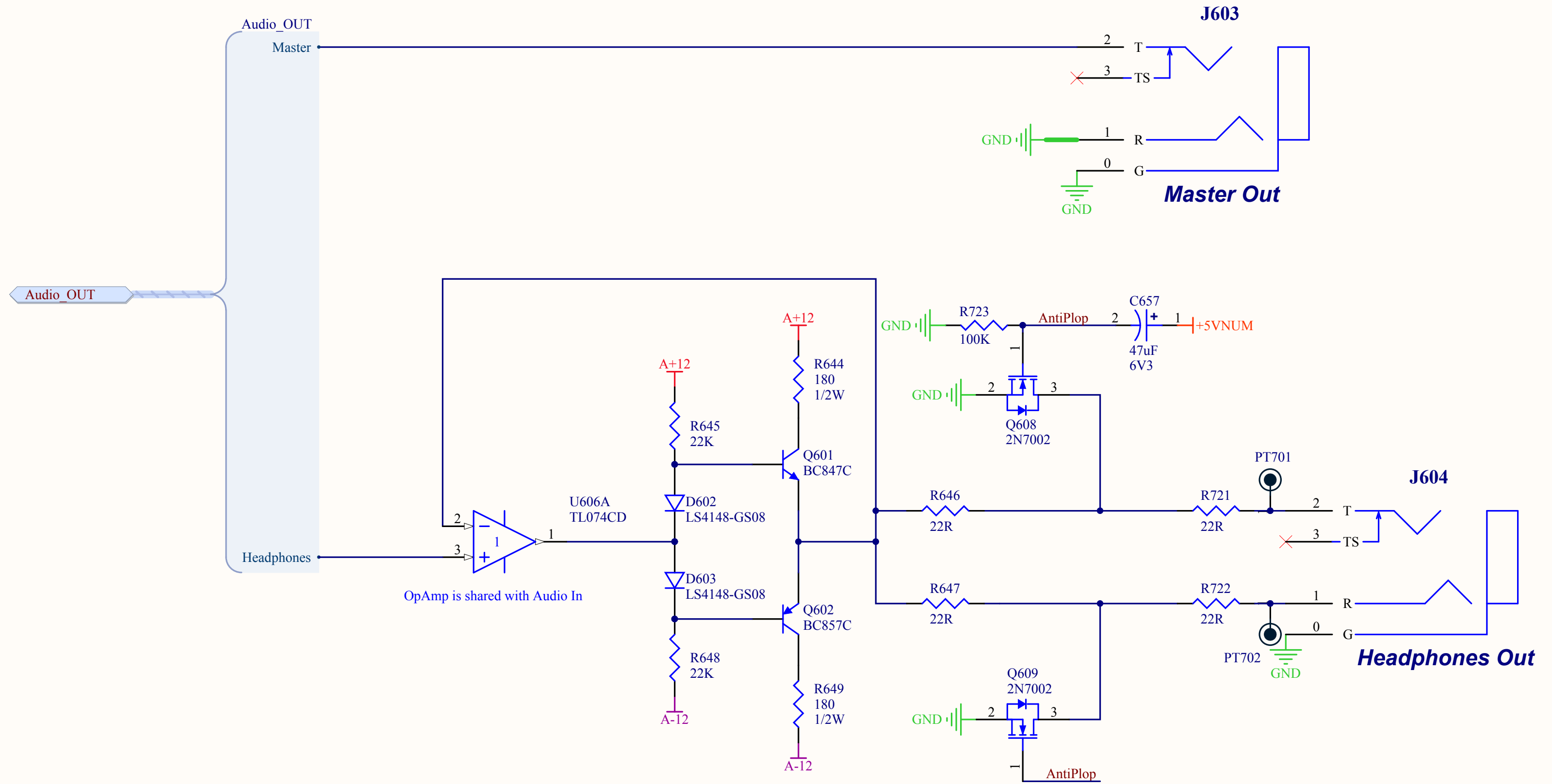
B


C

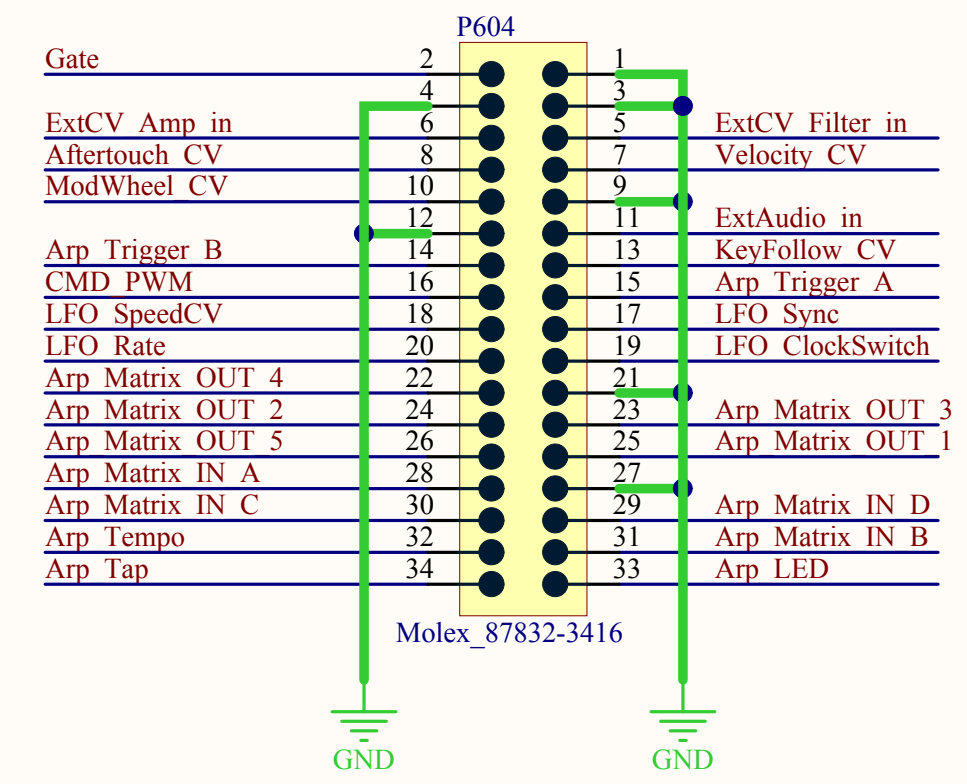
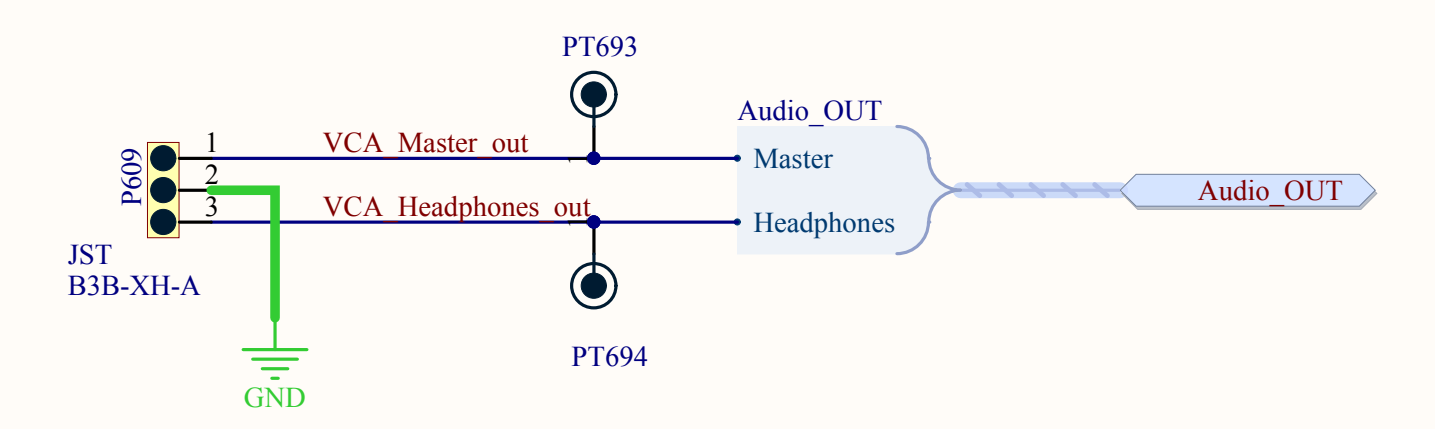
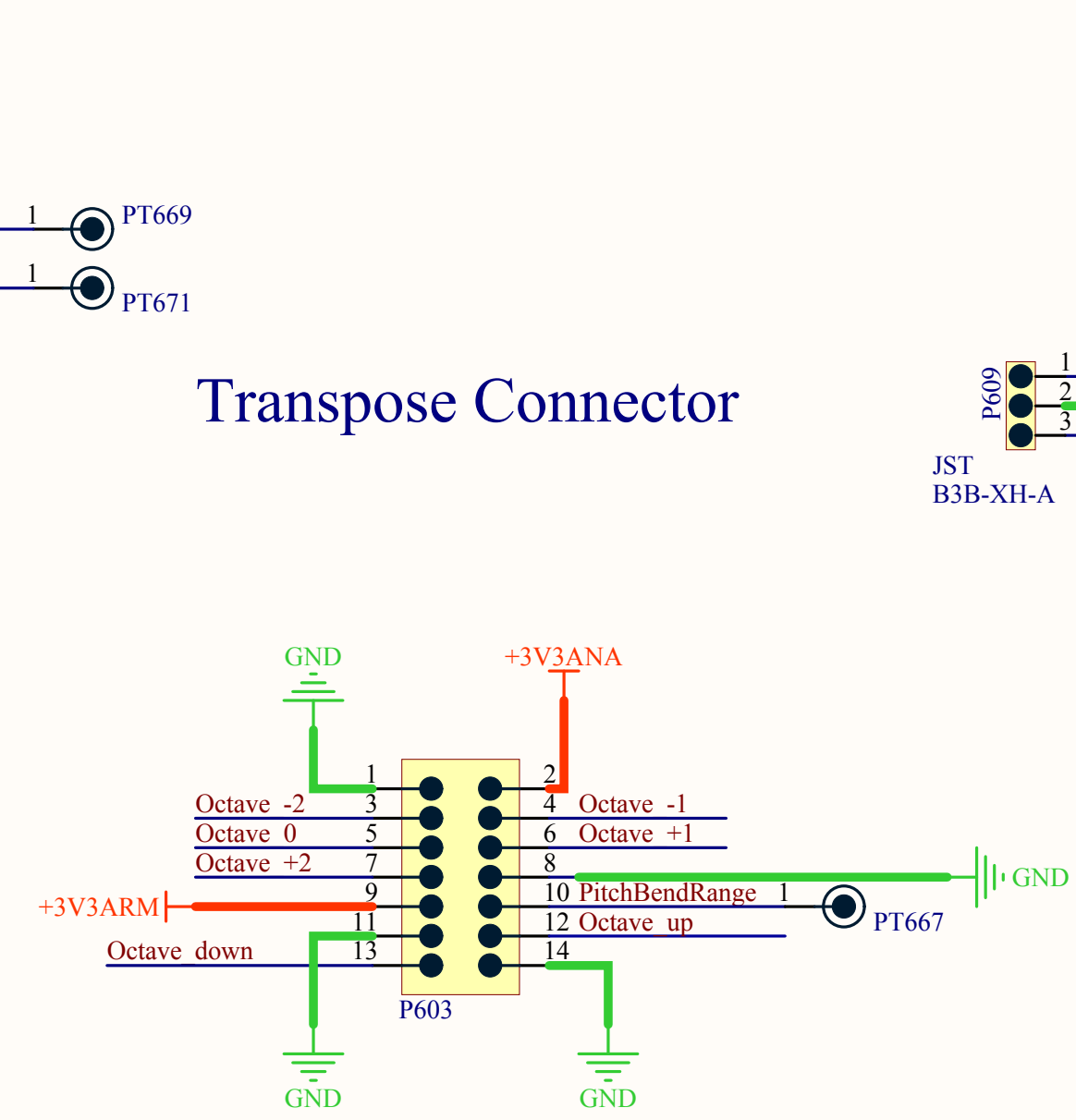
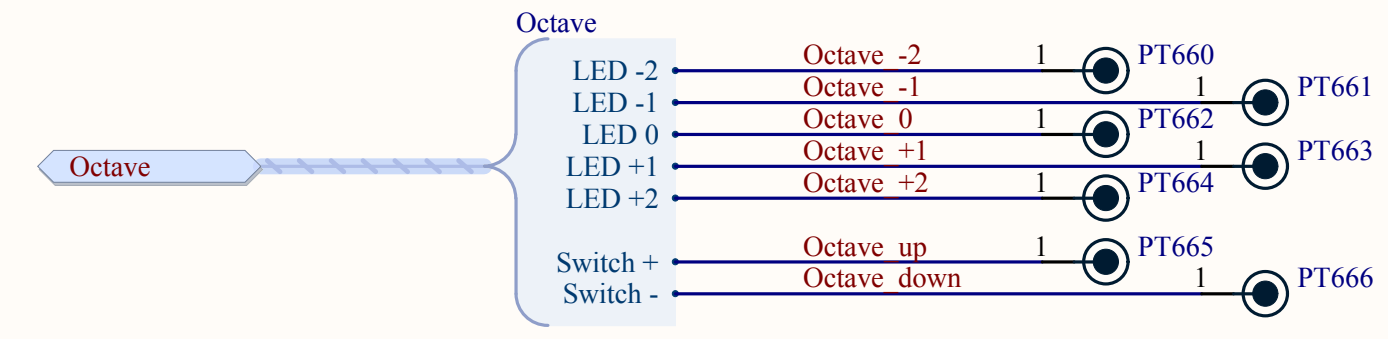
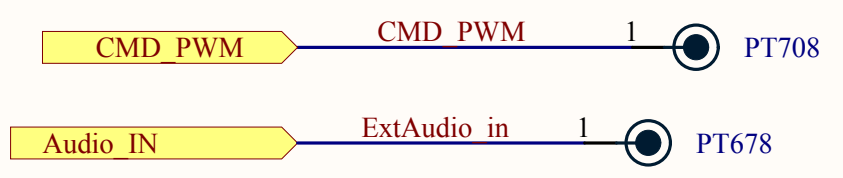
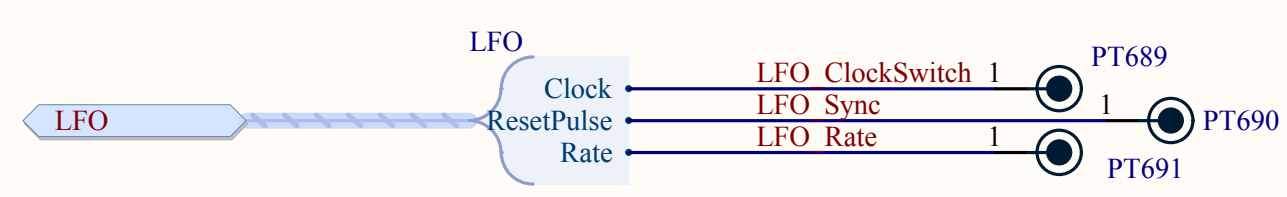
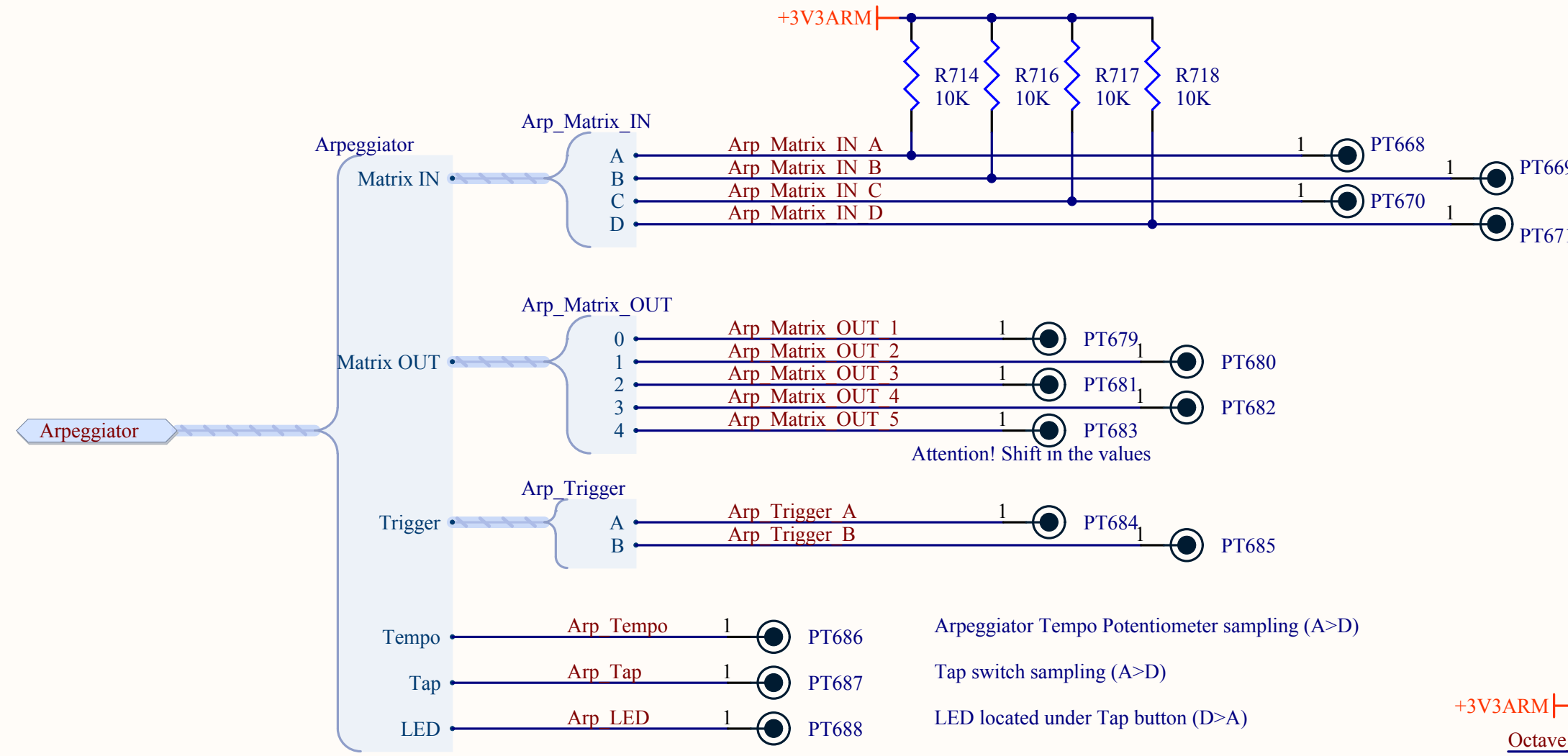
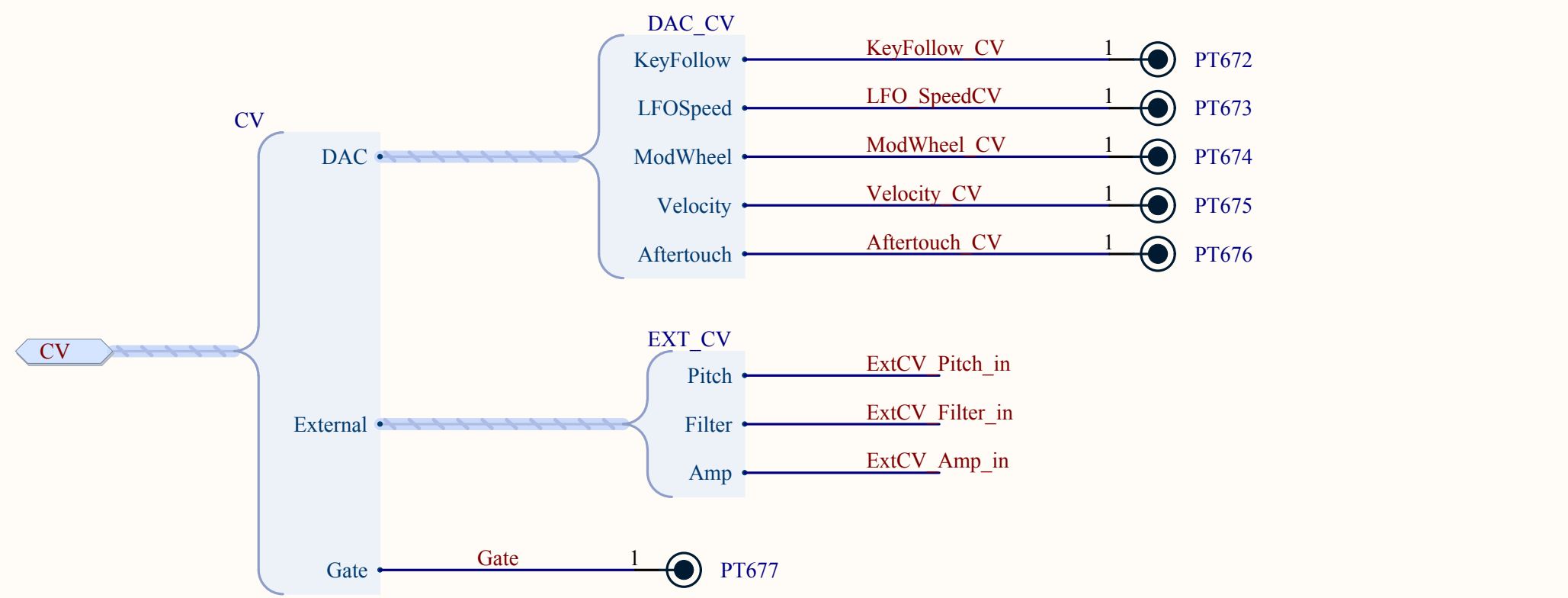
C

D

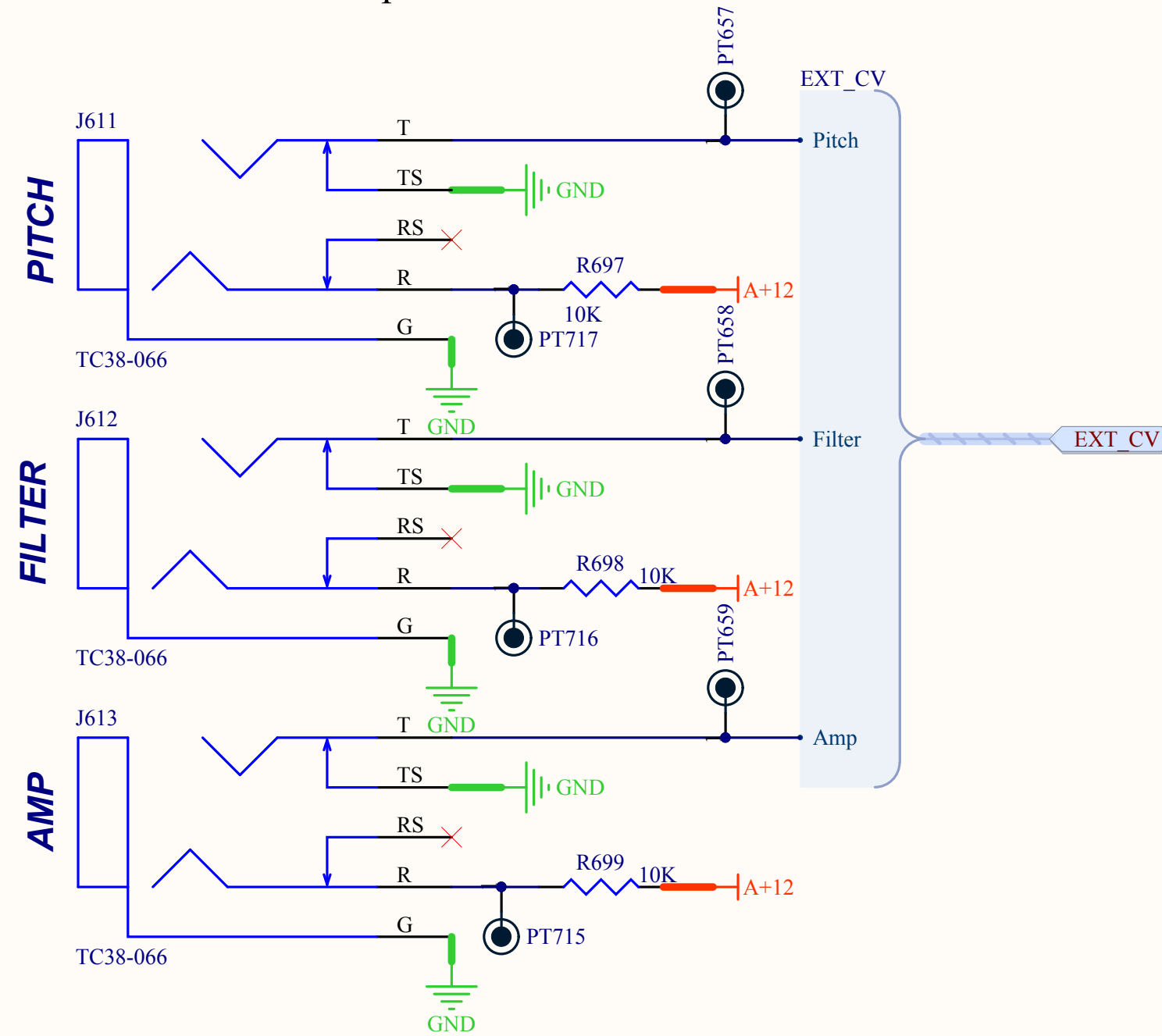
D



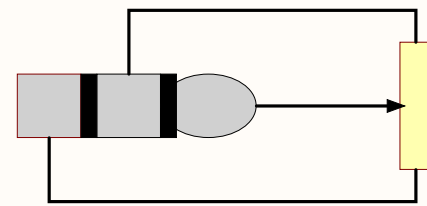
	Design : ARTURIA & Yves USSON	Details of this schematic are subject to change without notice. Any modification to any MiniBrute will immediately void its warranty. Arturia or any of its affiliates will not accept responsibility for any damages, personal loss or injury that may result from any modification to the device.		PAGE 10/ 14
	OutputStage.SchDoc Schematics	Project : miniBrute 13001 - AnalogBoard	Revision : C Public Release	



Resistors are used for Expression Pedal Hack

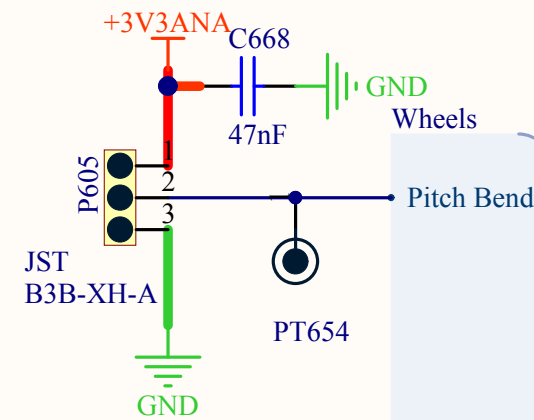


Use this Expression Pedal configuration:

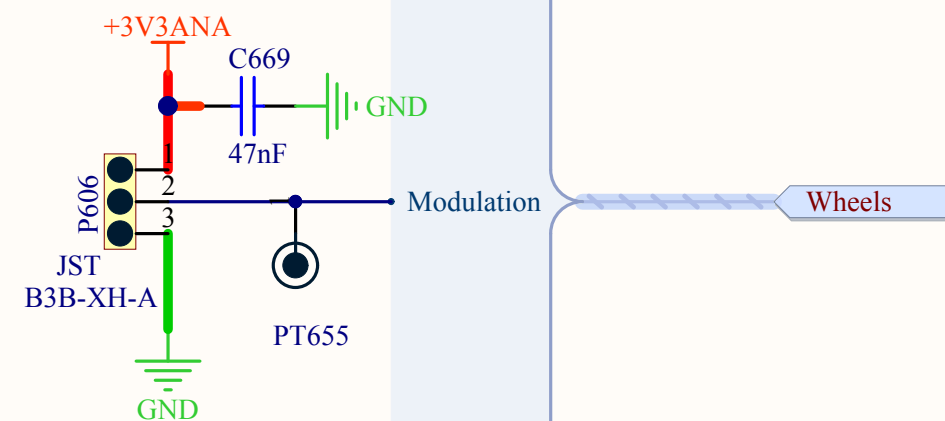


	Design :	ARTURIA & Yves USSON	Details of this schematic are subject to change without notice. Any modification to any MiniBrute will immediately void its warranty. Arturia or any of its affiliates will not accept responsibility for any damages, personal loss or injury that may result from any modification to the device.	PAGE
	ExtCVin.SchDoc	Project : miniBrute	Revision : C	12/ 14
	Schematics	13001 - AnalogBoard	Public Release	

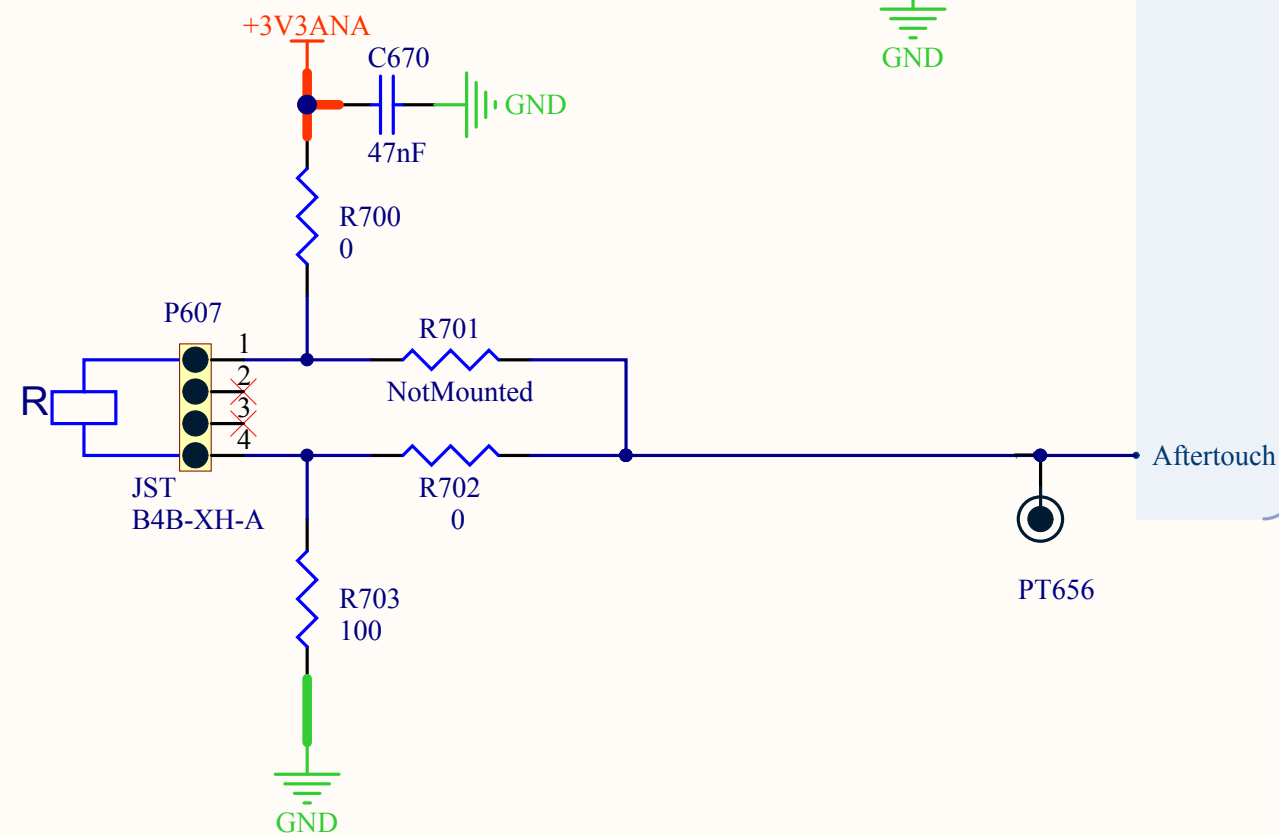
Pitch Bend Wheel: 100K Lin Potentiometer



Modulation Wheel: 100K Lin Potentiometer



Aftertouch FSR Ribbon



Design :

ARTURIA & Yves USSON

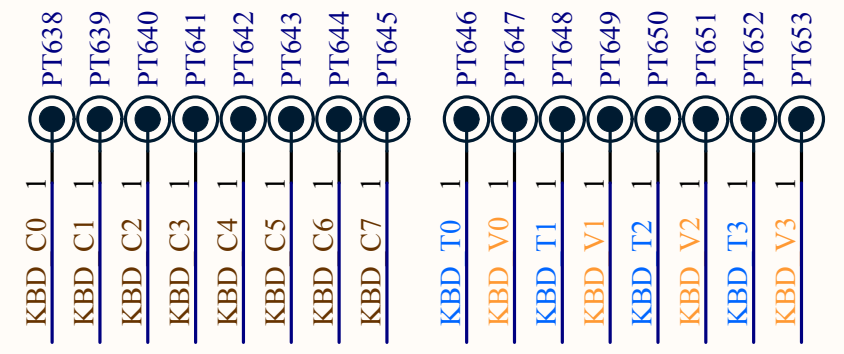
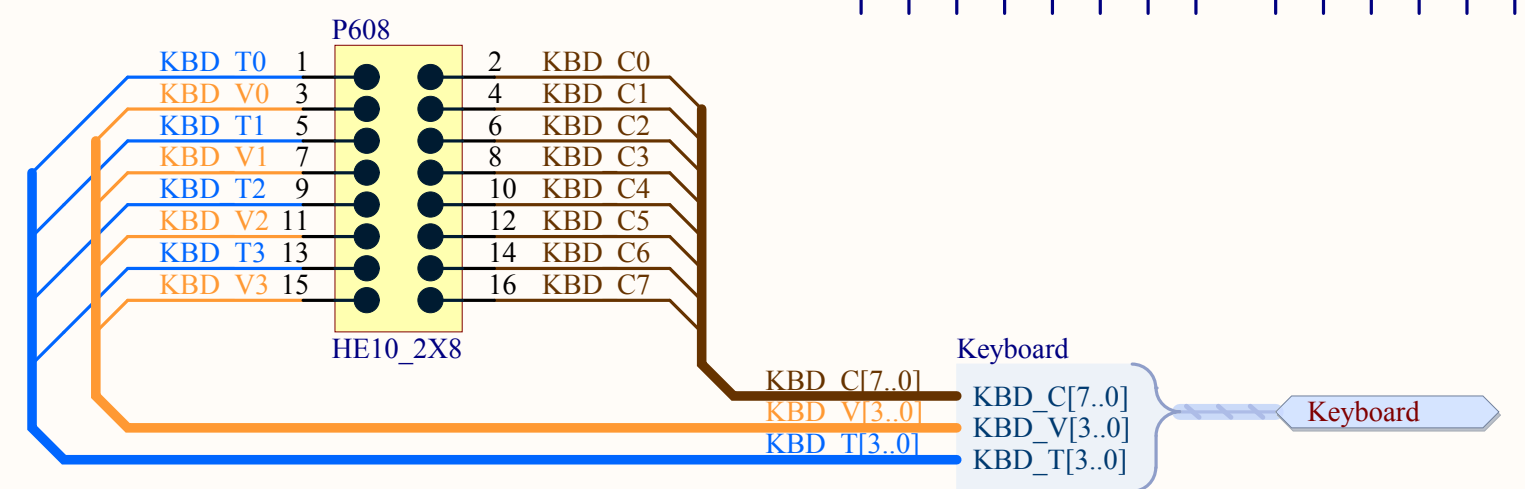
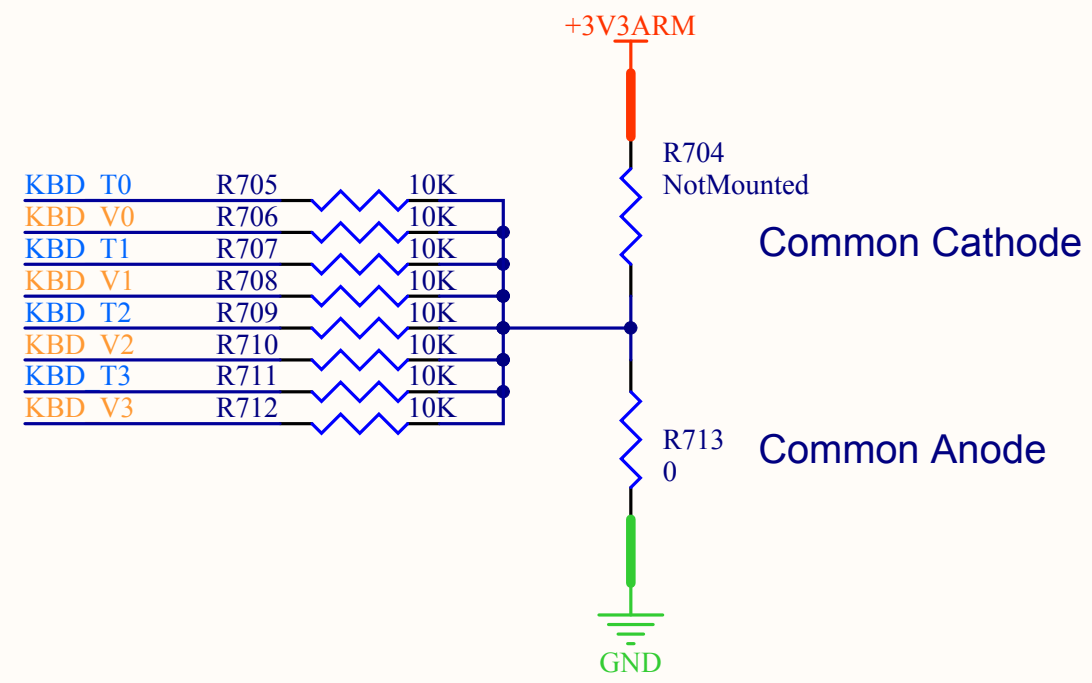
Details of this schematic are subject to change without notice. Any modification to any MiniBrute will immediately void its warranty. Arturia or any of its affiliates will not accept responsibility for any damages, personal loss or injury that may result from any modification to the device.

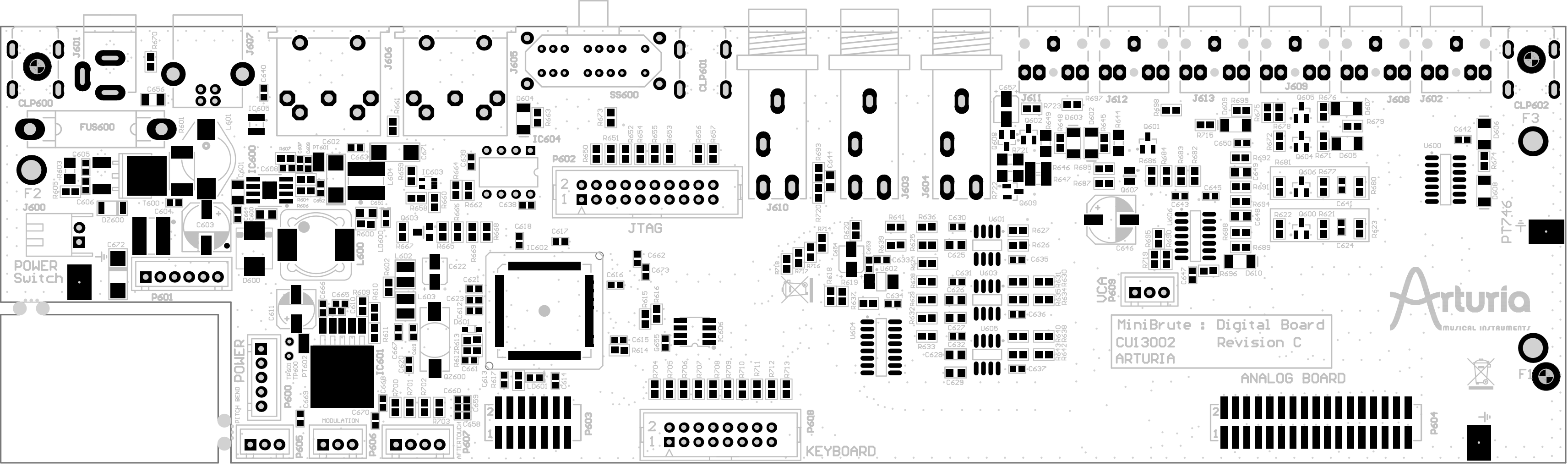
PAGE 13/14

Wheels.SchDoc Schematics

Project : miniBrute 13001 - AnalogBoard

Revision : C Public Release





Arturia
MUSICAL INSTRUMENTS

MiniBrute : Digital Board
CU13002
ARTURIA

ANALOG BOARD

KEYBOARD

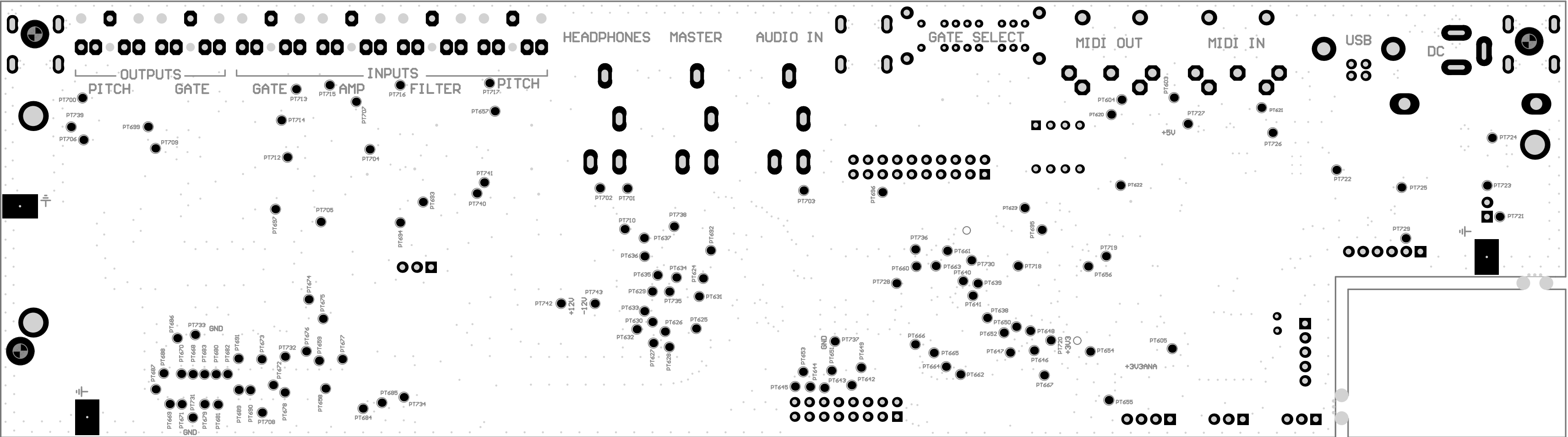
POWER Switch

PITCH BEND POWER

MODULATION

AFTERTOUCH





OUTPUTS
PITCH GATE

INPUTS
GATE AMP FILTER PITCH

HEADPHONES MASTER AUDIO IN

GATE SELECT MIDI OUT MIDI IN

USB DC

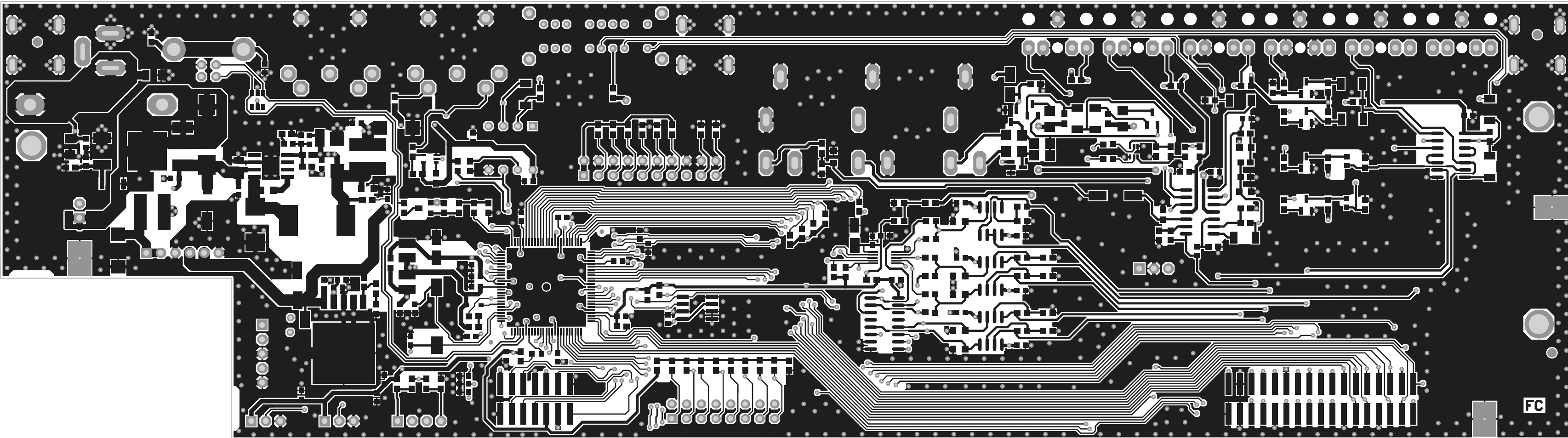
PT700 PT739 PT706 PT699 PT708 PT713 PT715 PT716 PT717 PT657 PT741 PT740 PT694 PT693 PT705 PT687 PT686 PT688 PT689 PT690 PT691 PT692 PT693 PT694 PT695 PT696 PT697 PT698 PT699 PT700 PT701 PT702 PT703 PT704 PT705 PT706 PT707 PT708 PT709 PT710 PT711 PT712 PT713 PT714 PT715 PT716 PT717 PT718 PT719 PT720 PT721 PT722 PT723 PT724 PT725 PT726 PT727 PT728 PT729 PT730 PT731 PT732 PT733 PT734 PT735 PT736 PT737 PT738 PT739 PT740 PT741 PT742 PT743 PT744 PT745 PT746 PT747 PT748 PT749 PT750 PT656 PT657 PT658 PT659 PT660 PT661 PT662 PT663 PT664 PT665 PT666 PT667 PT668 PT669 PT670 PT671 PT672 PT673 PT674 PT675 PT676 PT677 PT678 PT679 PT680 PT681 PT682 PT683 PT684 PT685 PT686 PT687 PT688 PT689 PT690 PT691 PT692 PT693 PT694 PT695 PT696 PT697 PT698 PT699

+12U -12U

GND +3U3

+3U3ANA





FC

