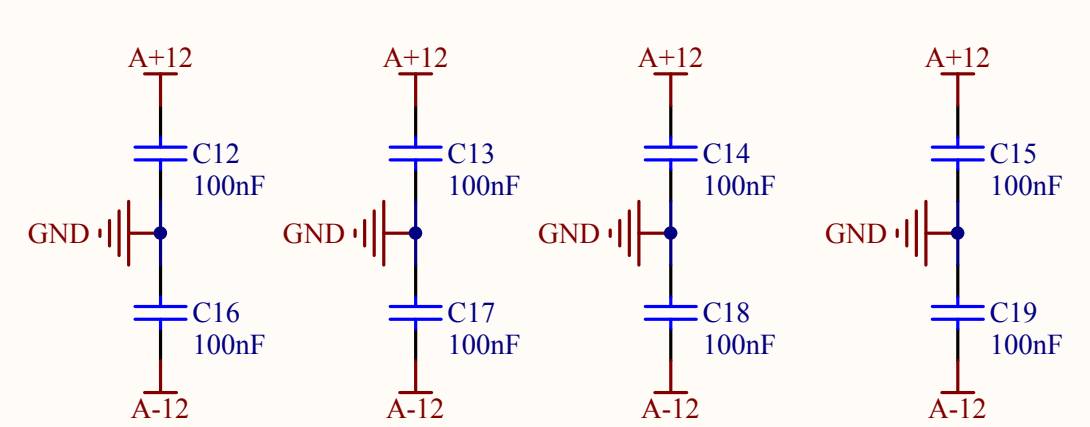
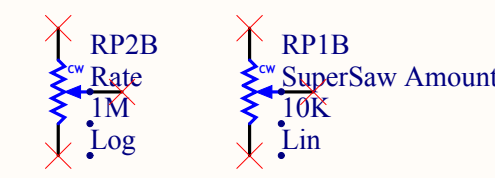
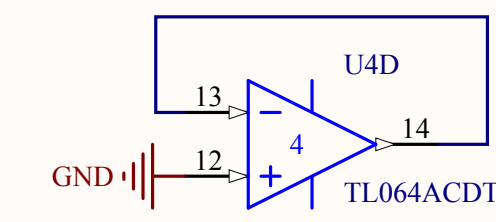
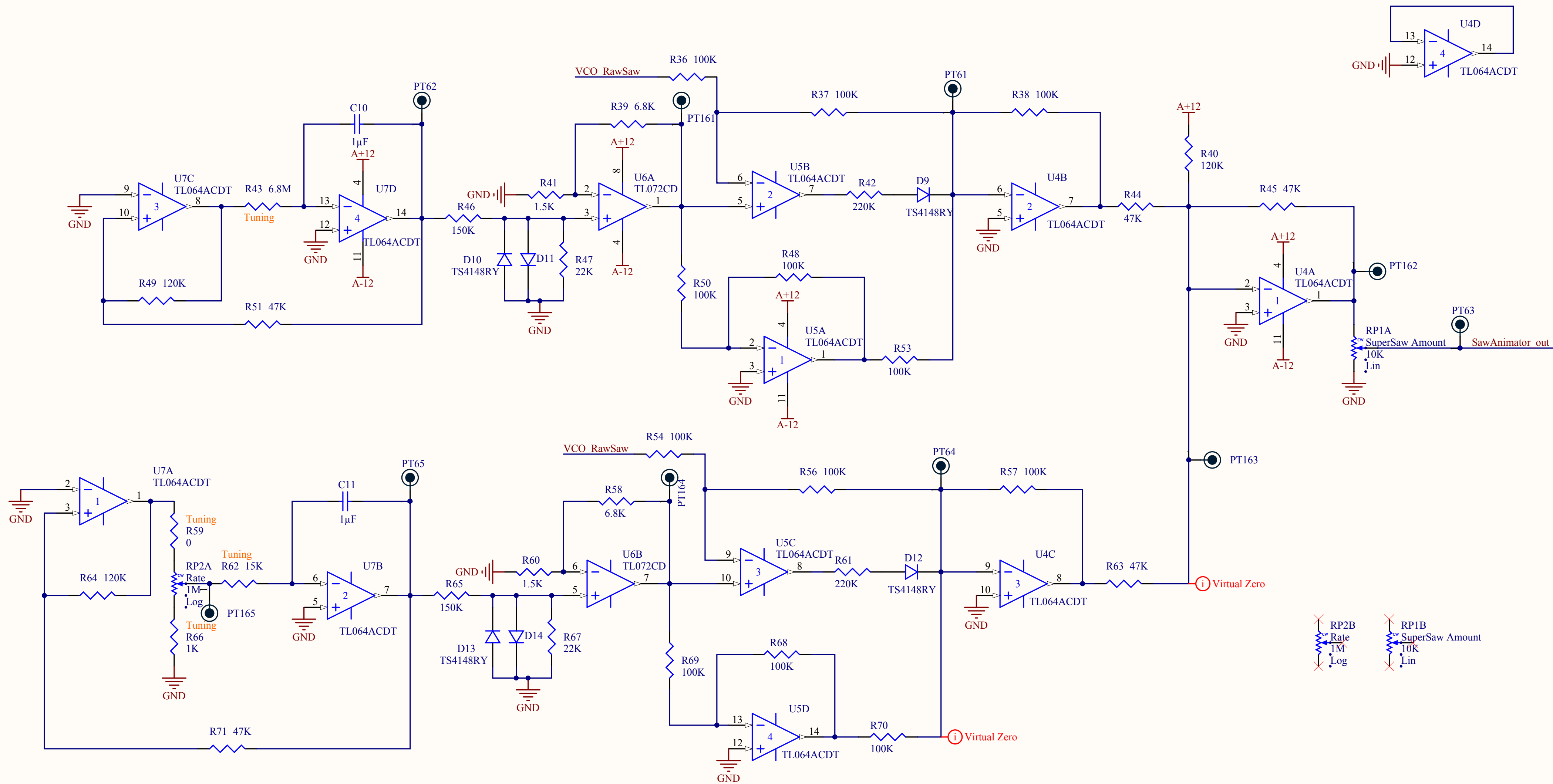
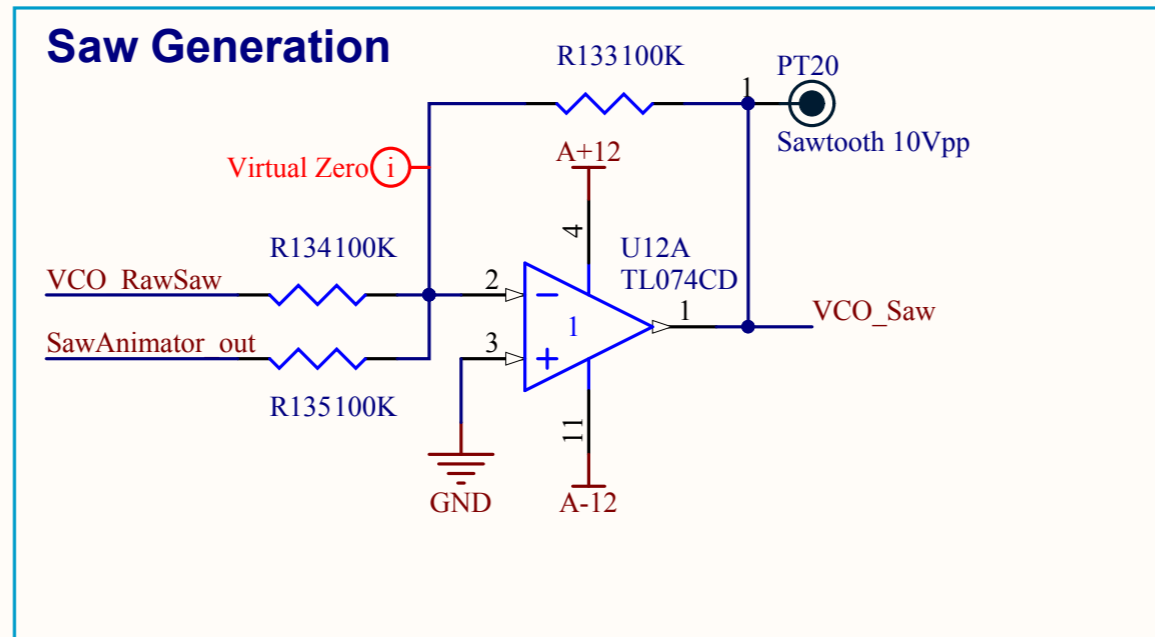
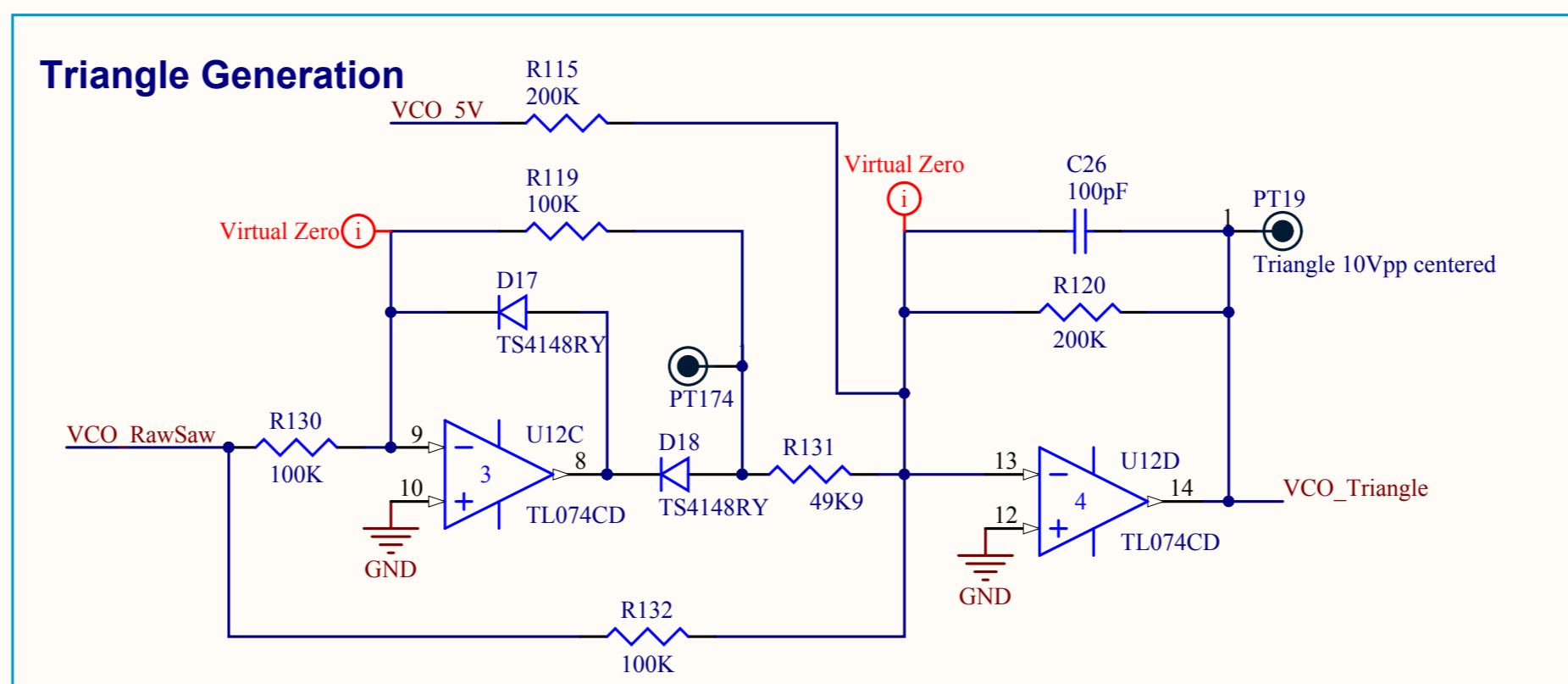
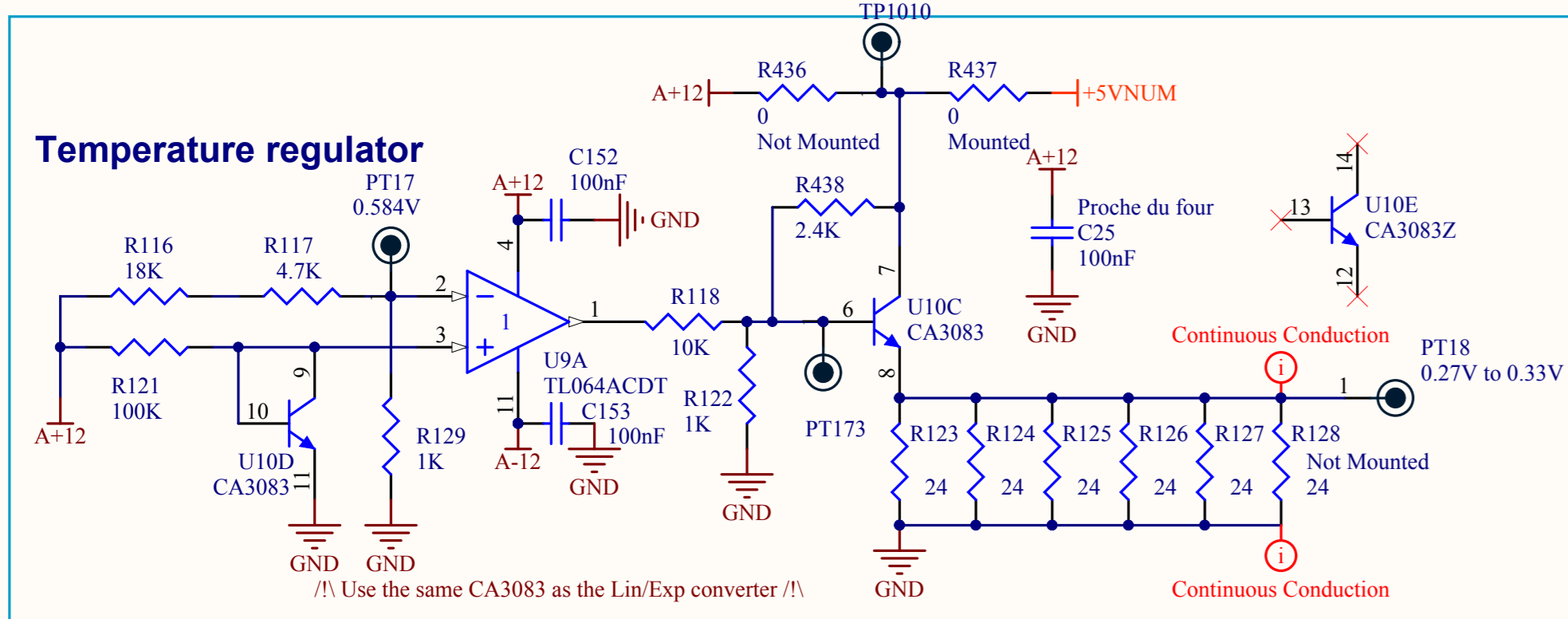
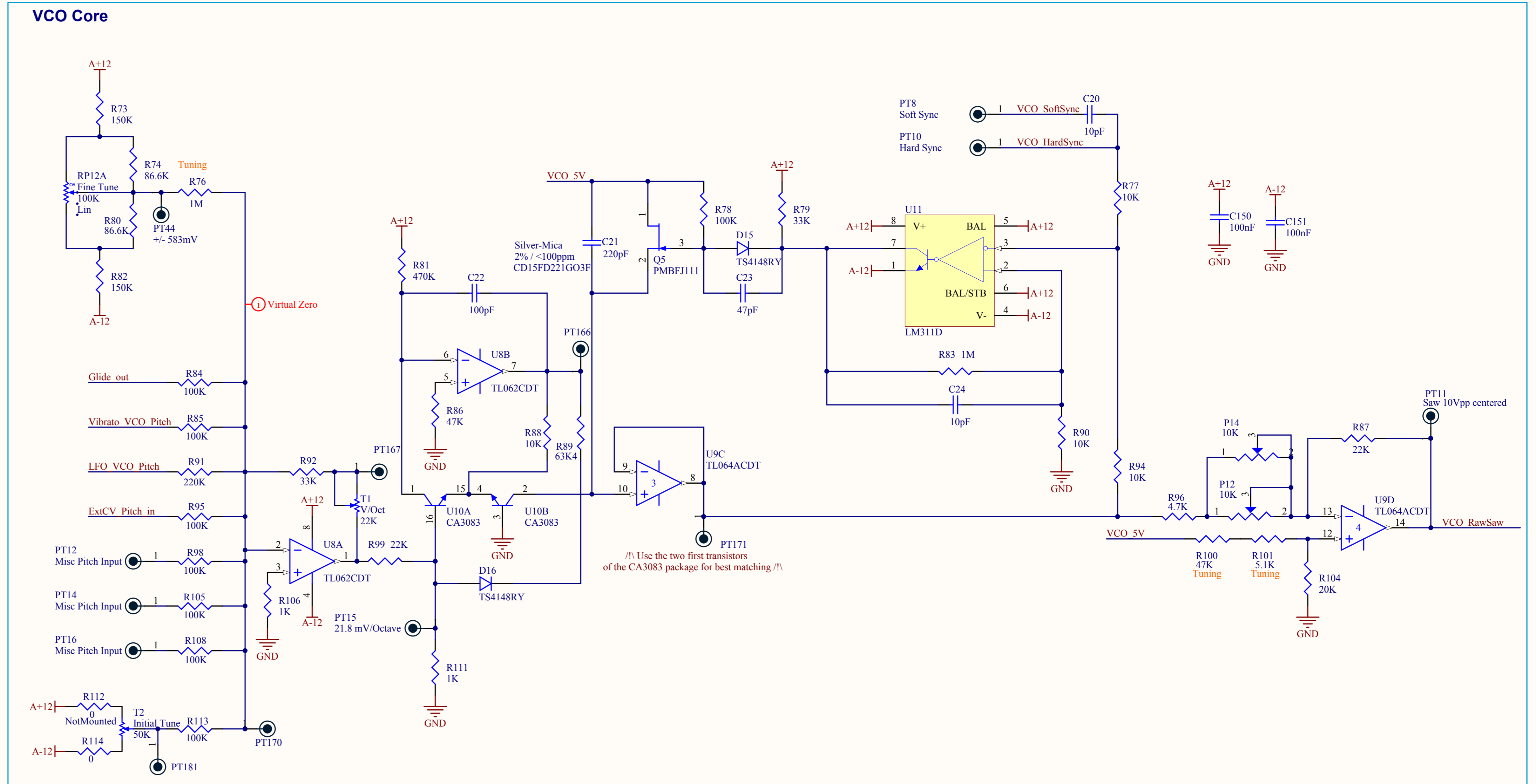
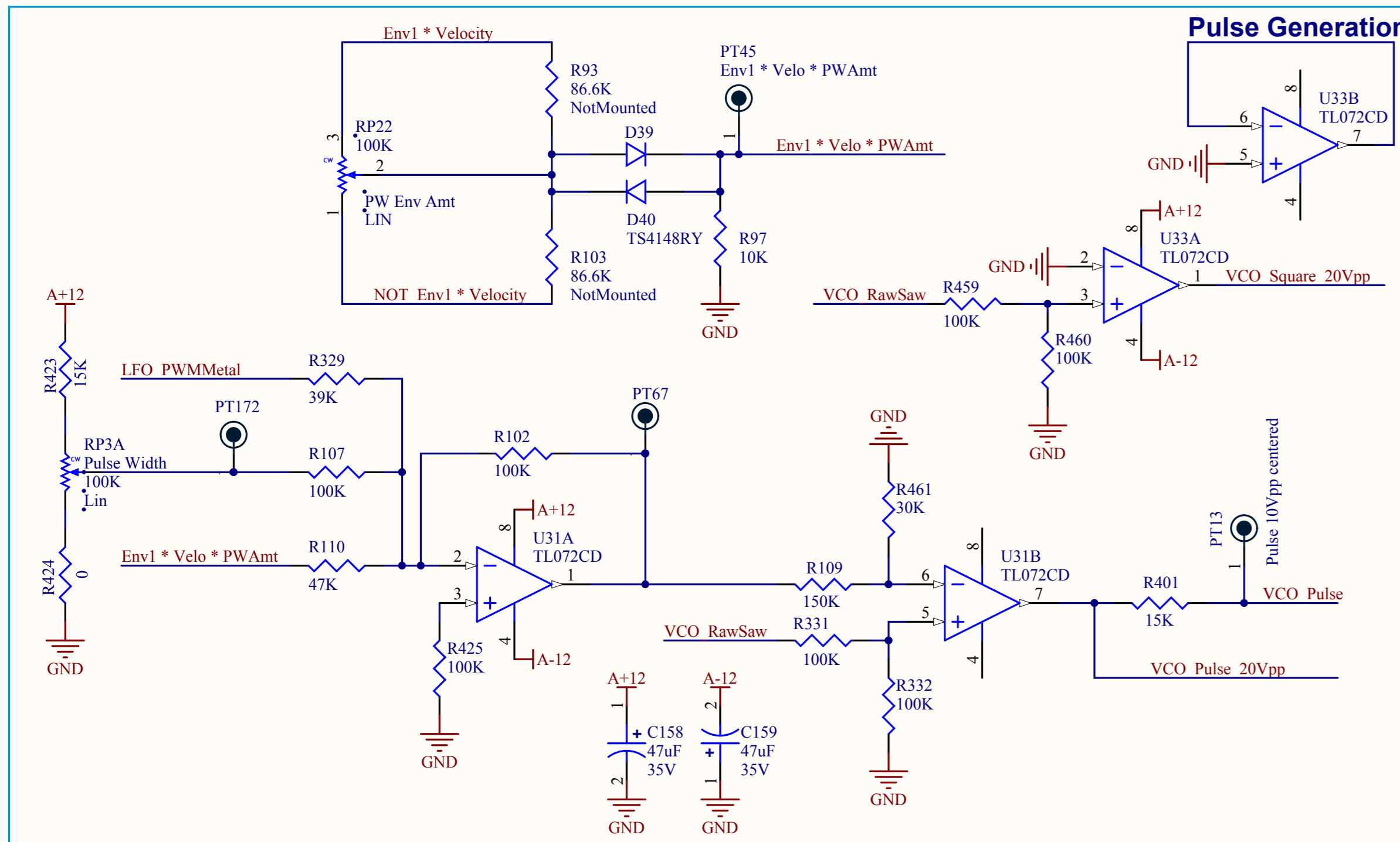
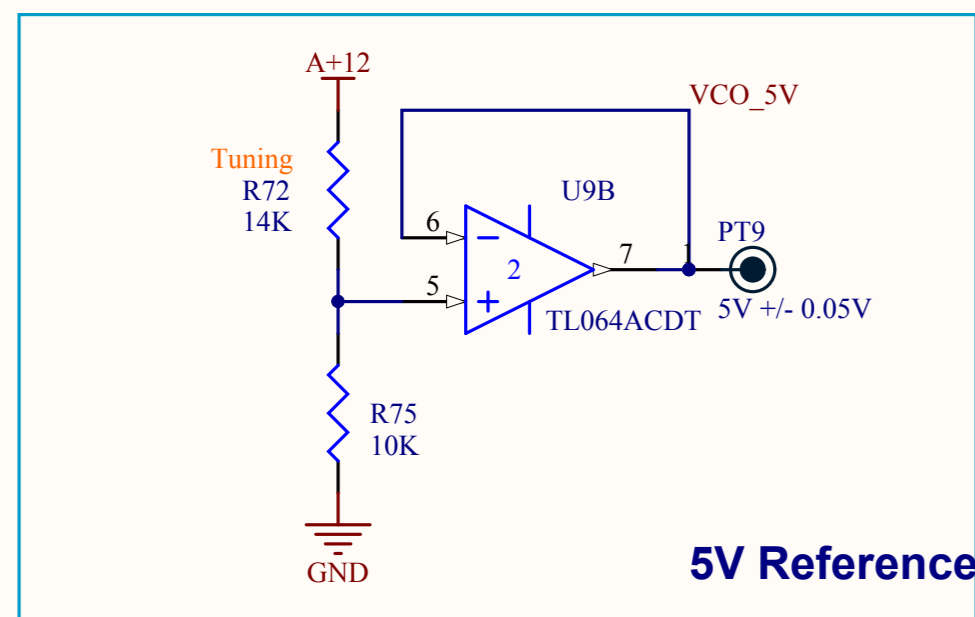
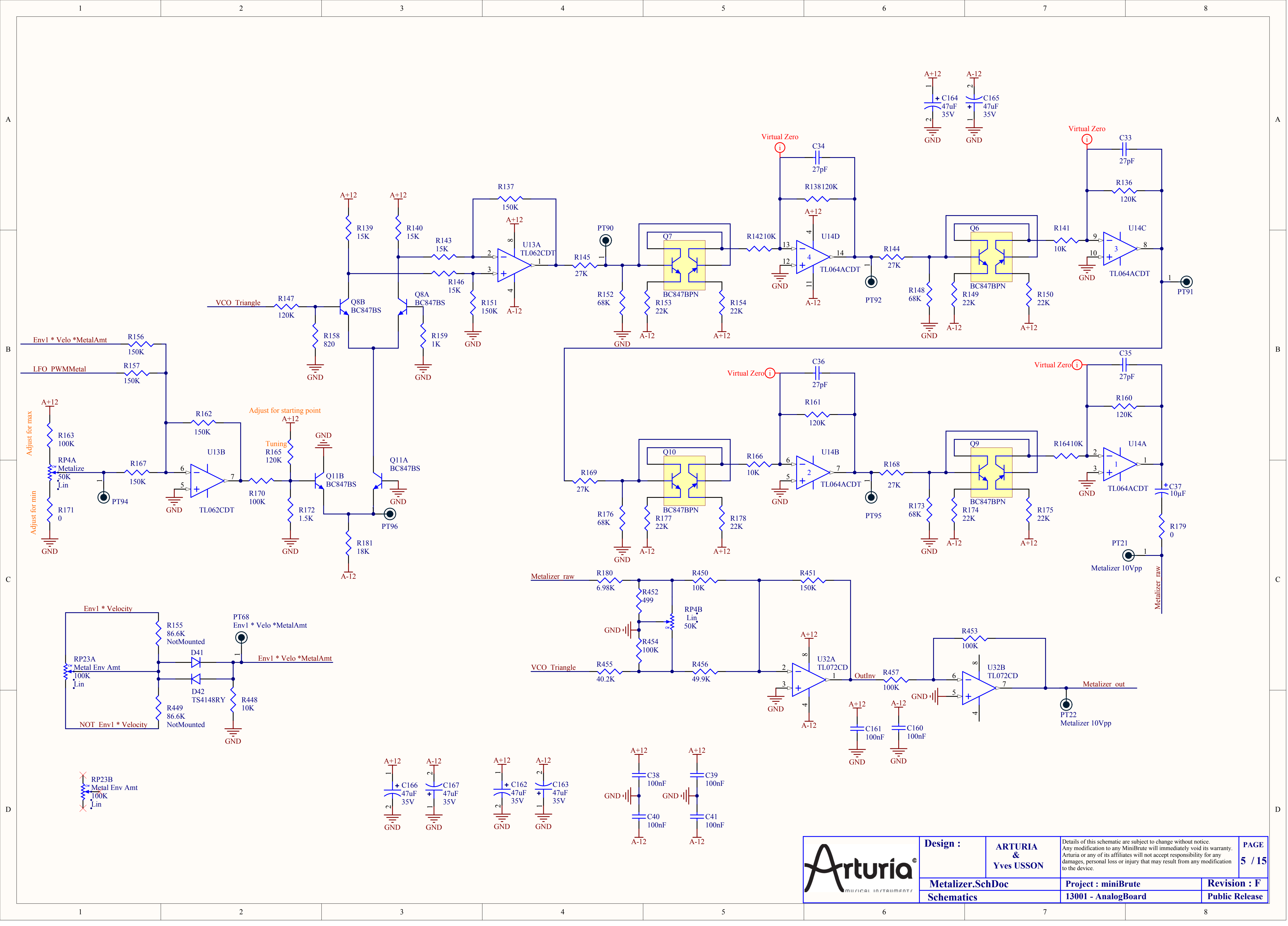
	Design :	ARTURIA & Yves USSON	<small>Details of this schematic are subject to change without notice. Any modification to any MiniBrute will immediately void its warranty. Arturia or any of its affiliates will not accept responsibility for any damages, personal loss or injury that may result from any modification to the device.</small>	PAGE 2 / 15
	Power.SchDoc Schematics	Project : miniBrute 13001 - AnalogBoard	Revision : F Public Release	

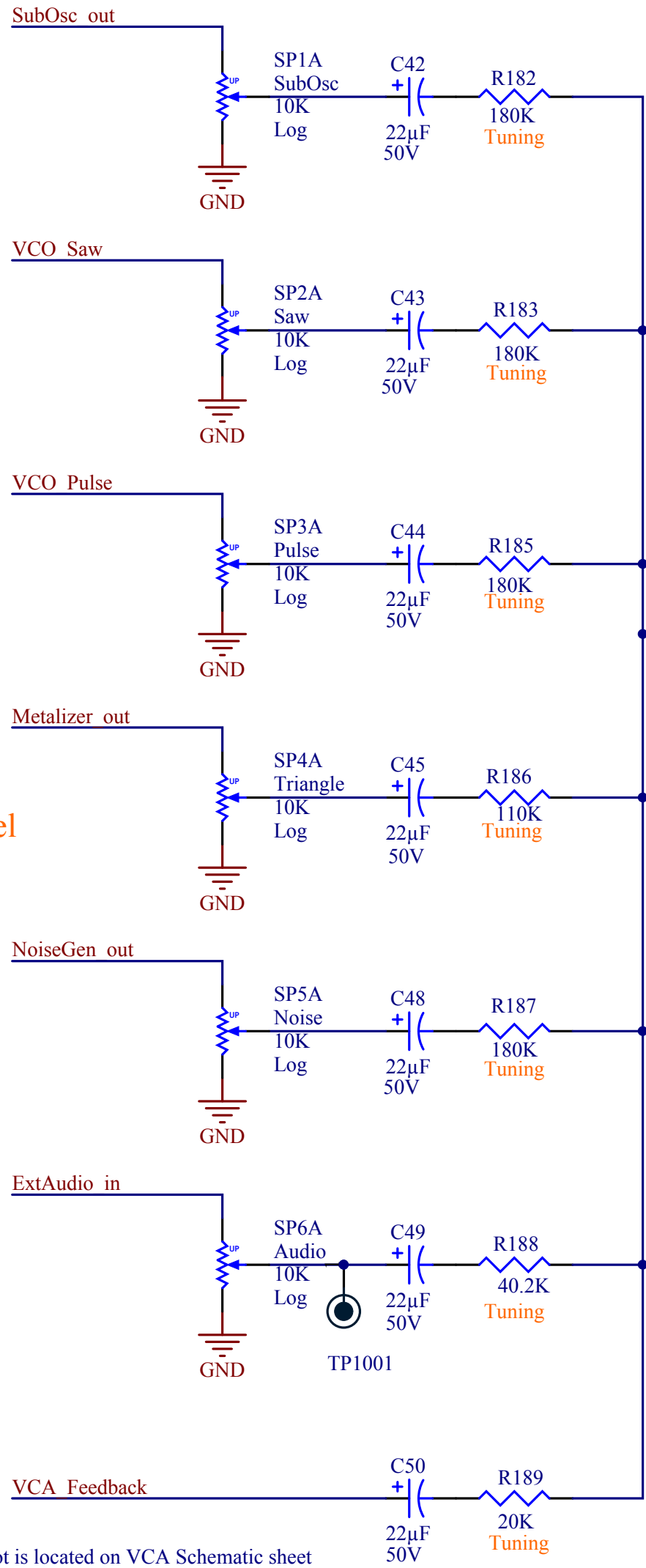


	Design :	ARTURIA & Yves USSON	Details of this schematic are subject to change without notice. Any modification to any MiniBrute will immediately void its warranty. Arturia or any of its affiliates will not accept responsibility for any damages, personal loss or injury that may result from any modification to the device.	PAGE 3 / 15
	UltraSaw Schematics	Project : miniBrute 13001 - AnalogBoard		



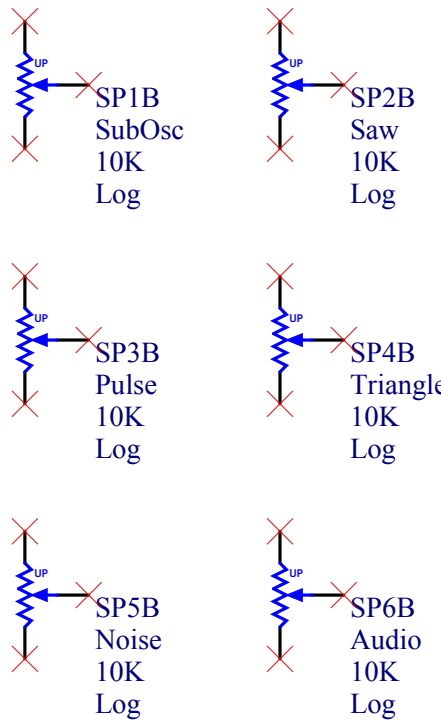


Design :	ARTURIA & Yves USSON	Details of this schematic are subject to change without notice. Any modification to any MiniBrute will immediately void its warranty. Arturia or any of its affiliates will not accept responsibility for any damages, personal loss or injury that may result from any modification to the device.	PAGE 5 / 15
	Metalizer.SchDoc Schematics		

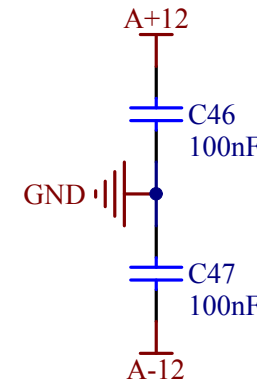


Virtual Zero

OpAmp shared with Envelope Amout

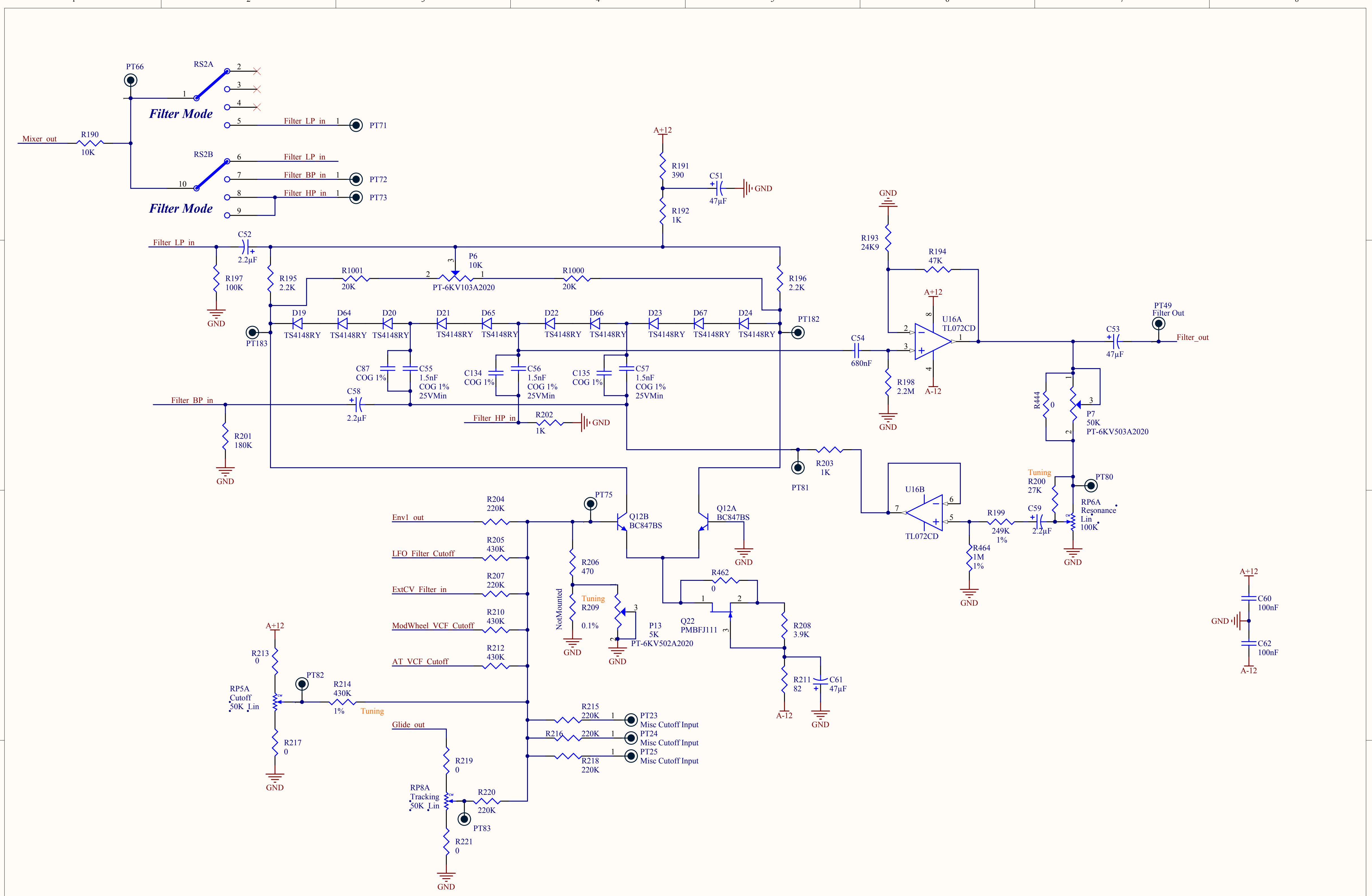



Tuning:
Adjust resistors for each level
(trust your ears, not the scope)

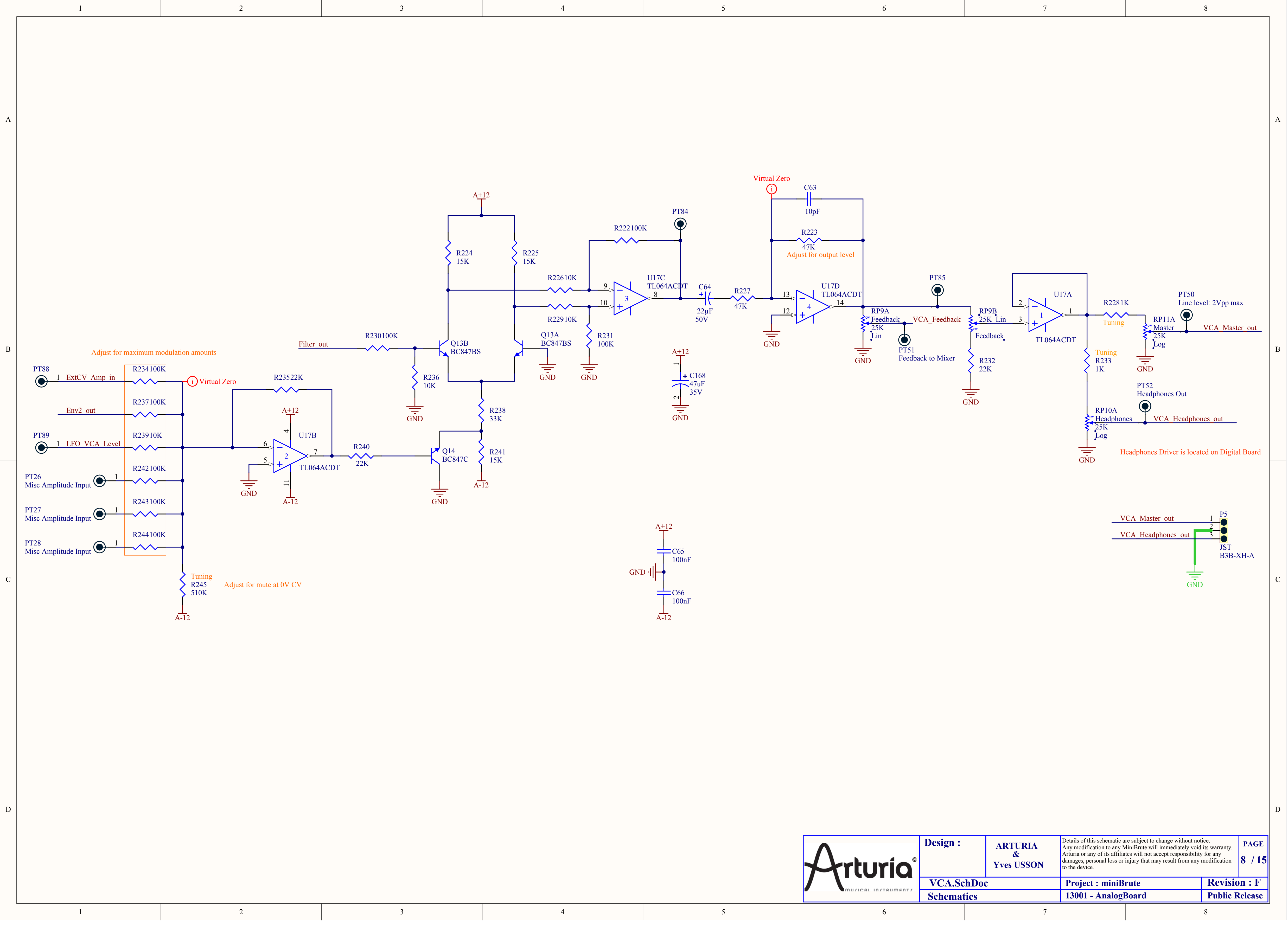


Feedback Pot is located on VCA Schematic sheet

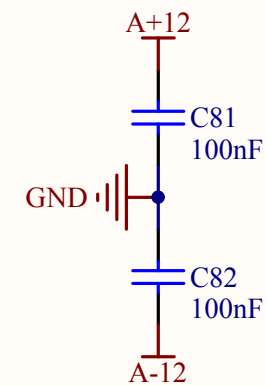
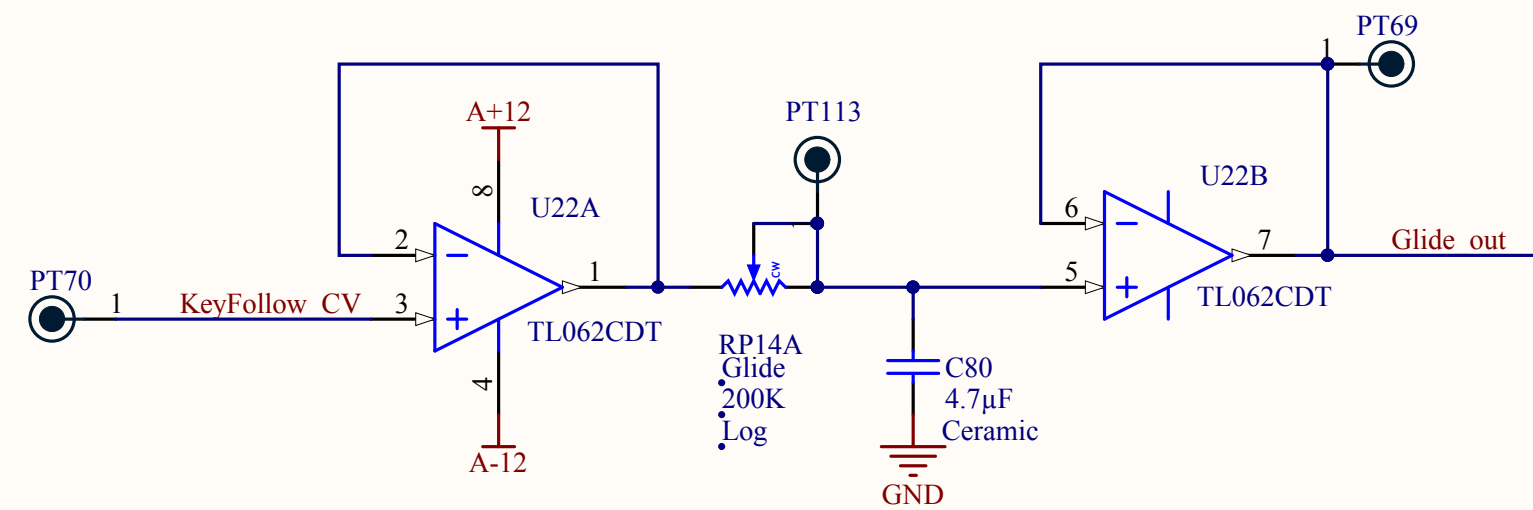
	Design : ARTURIA & Yves USSON	Details of this schematic are subject to change without notice. Any modification to any MiniBrute will immediately void its warranty. Arturia or any of its affiliates will not accept responsibility for any damages, personal loss or injury that may result from any modification to the device.	PAGE 6 / 15
	Mixer.SchDoc Schematics		



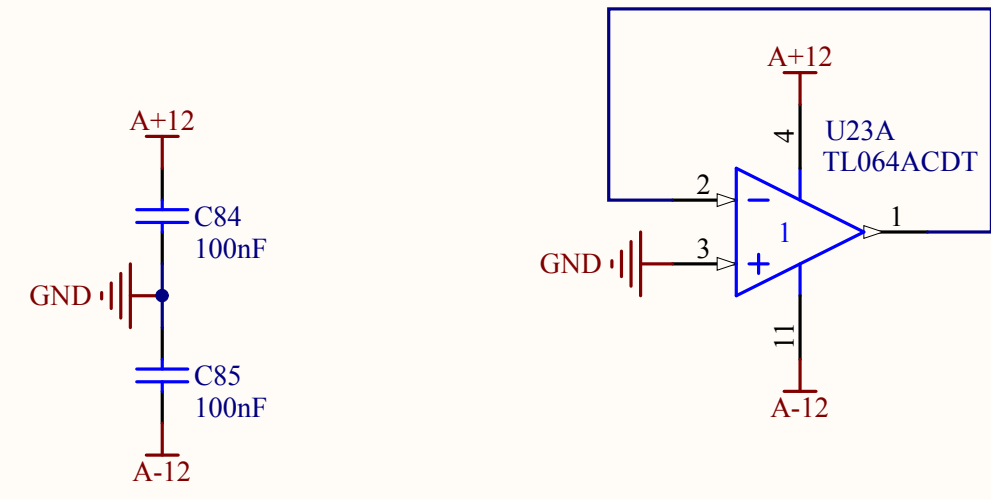
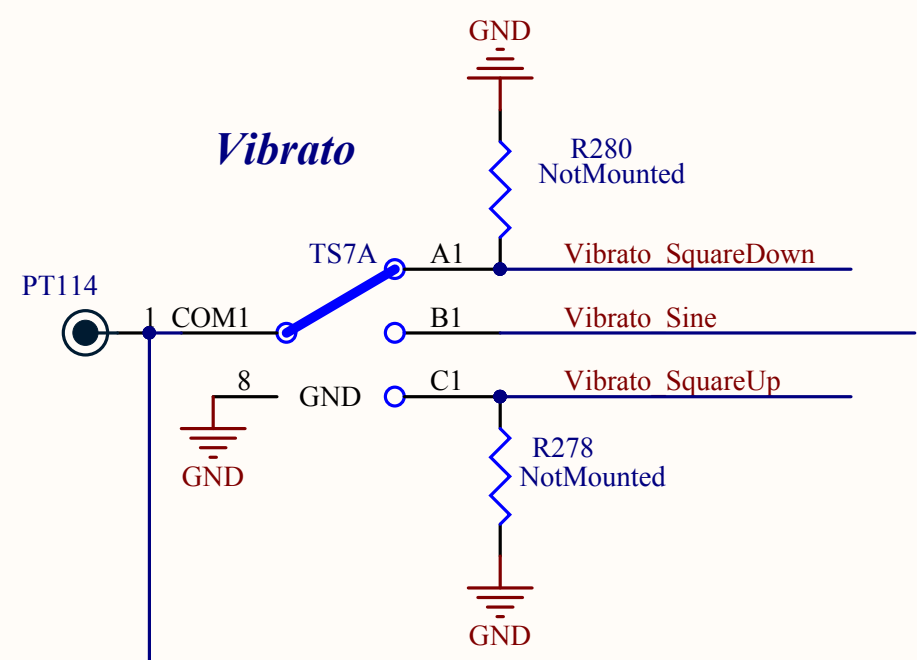
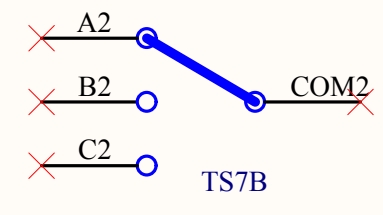
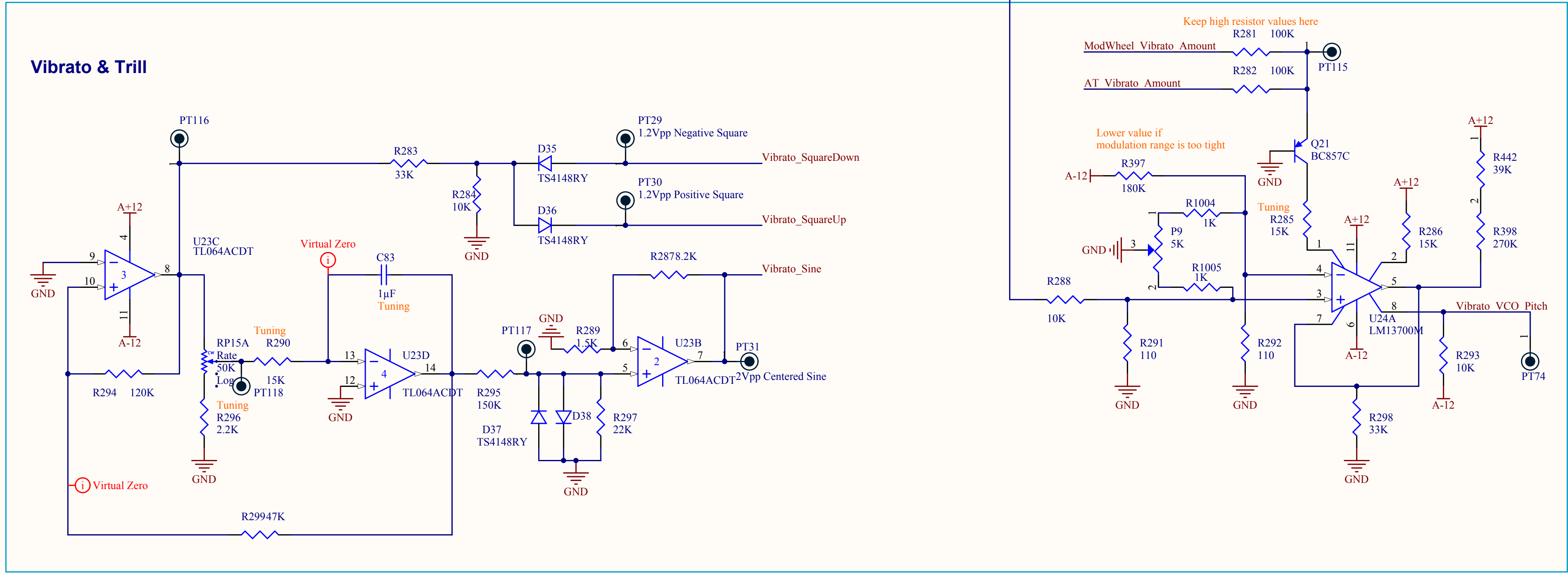
	Design :	ARTURIA & Yves USSON	Details of this schematic are subject to change without notice. Any modification to any MiniBrute will immediately void its warranty. Arturia or any of its affiliates will not accept responsibility for any damages, personal loss or injury that may result from any modification to the device.	PAGE 7 / 15
	Filter.SchDoc Schematics	Project : miniBrute 13001 - AnalogBoard		

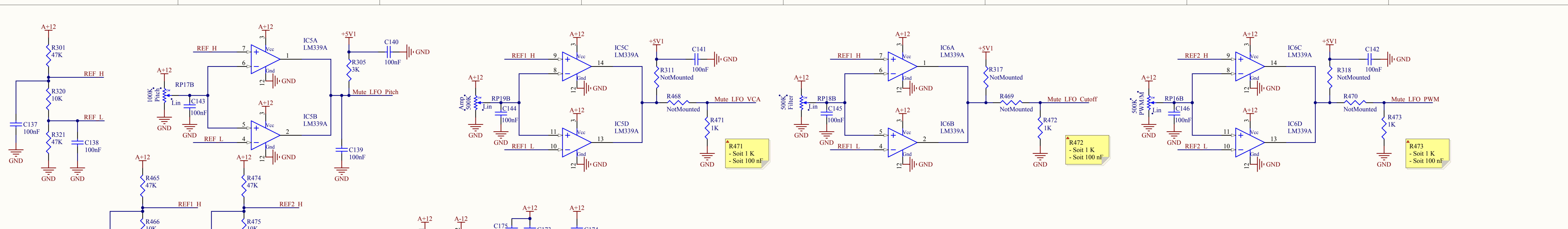


Design :	ARTURIA & Yves USSON	Details of this schematic are subject to change without notice. Any modification to any MiniBrute will immediately void its warranty. Arturia or any of its affiliates will not accept responsibility for any damages, personal loss or injury that may result from any modification to the device.	PAGE 8 / 15
	VCA.SchDoc Schematics		

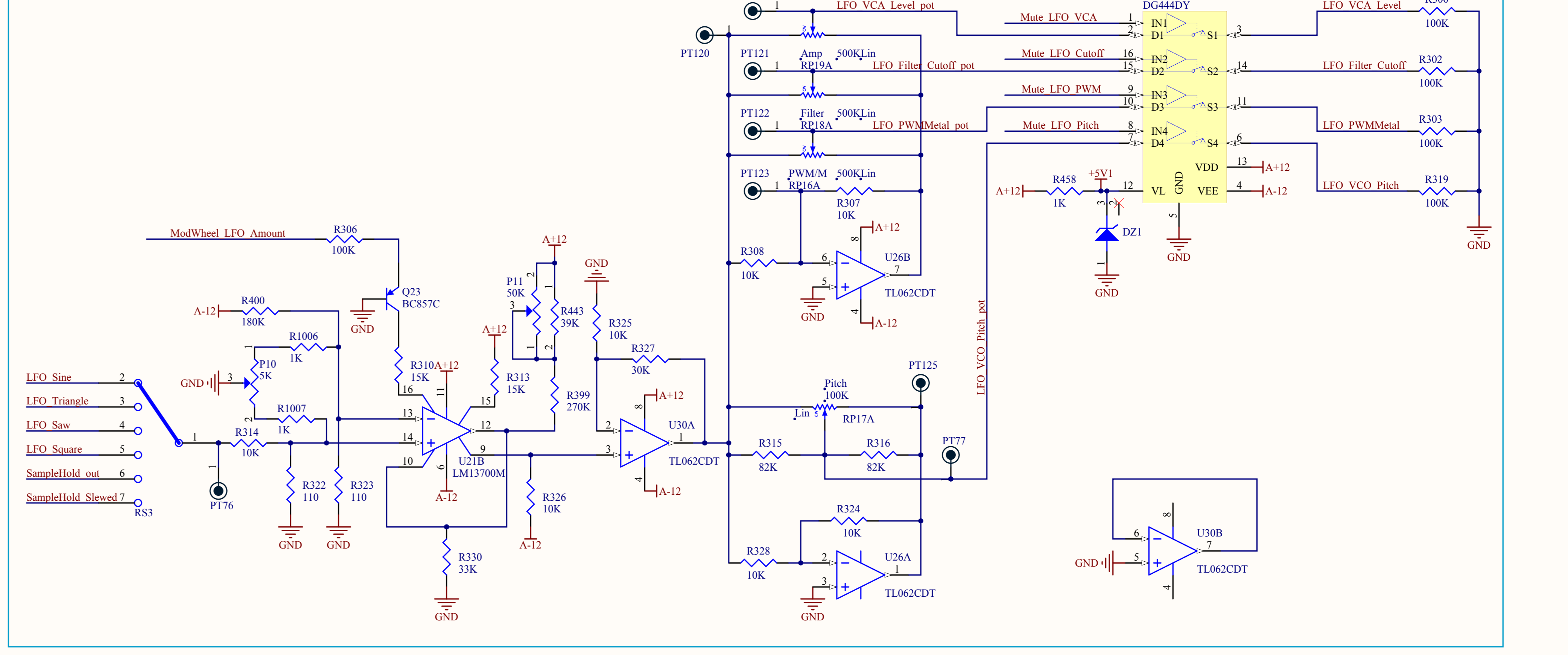


	Design :	ARTURIA & Yves USSON	Details of this schematic are subject to change without notice. Any modification to any MiniBrute will immediately void its warranty. Arturia or any of its affiliates will not accept responsibility for any damages, personal loss or injury that may result from any modification to the device.	PAGE 10/ 15
	Glide.SchDoc			
	Schematics		13001 - AnalogBoard	Public Release

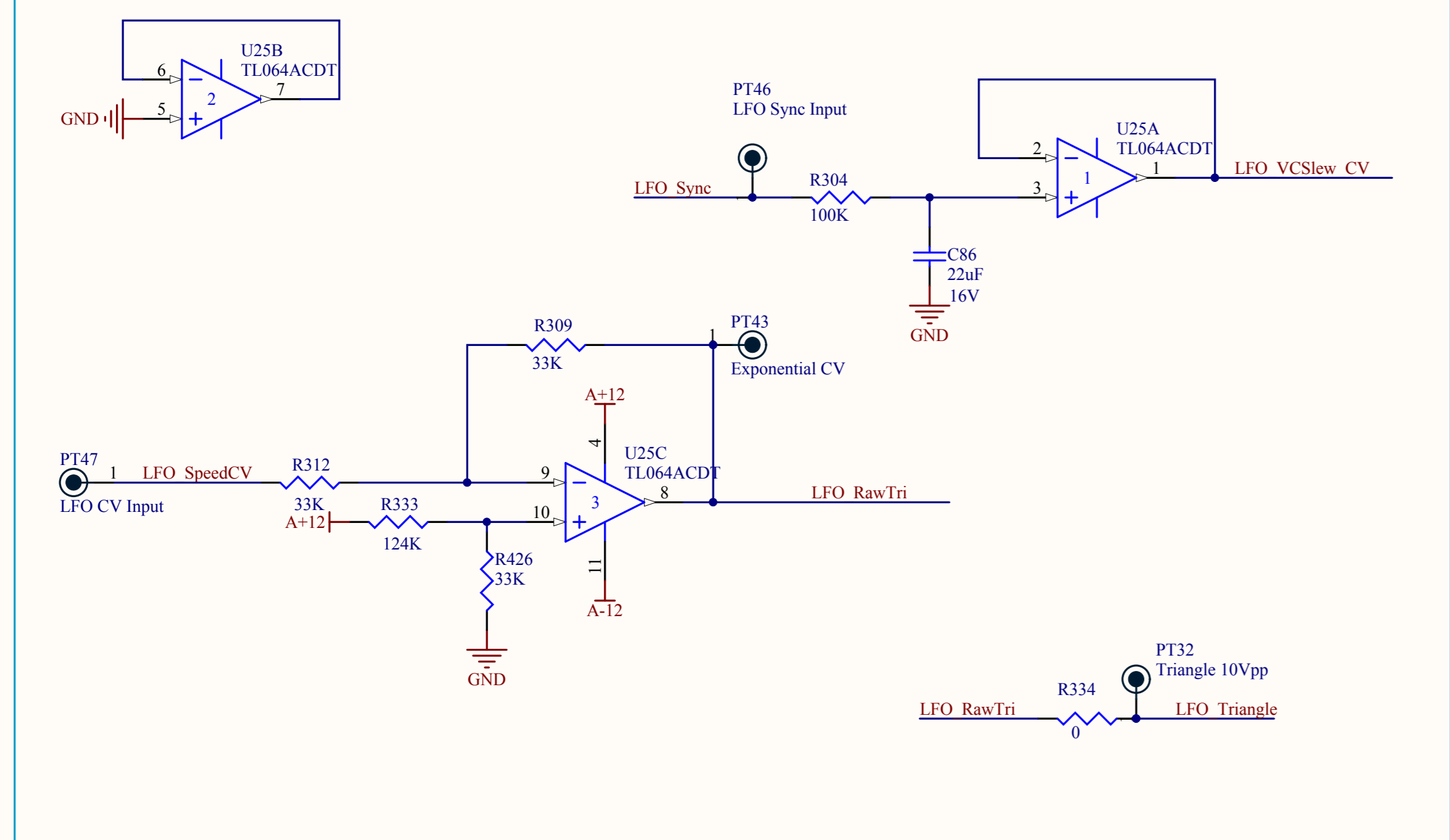




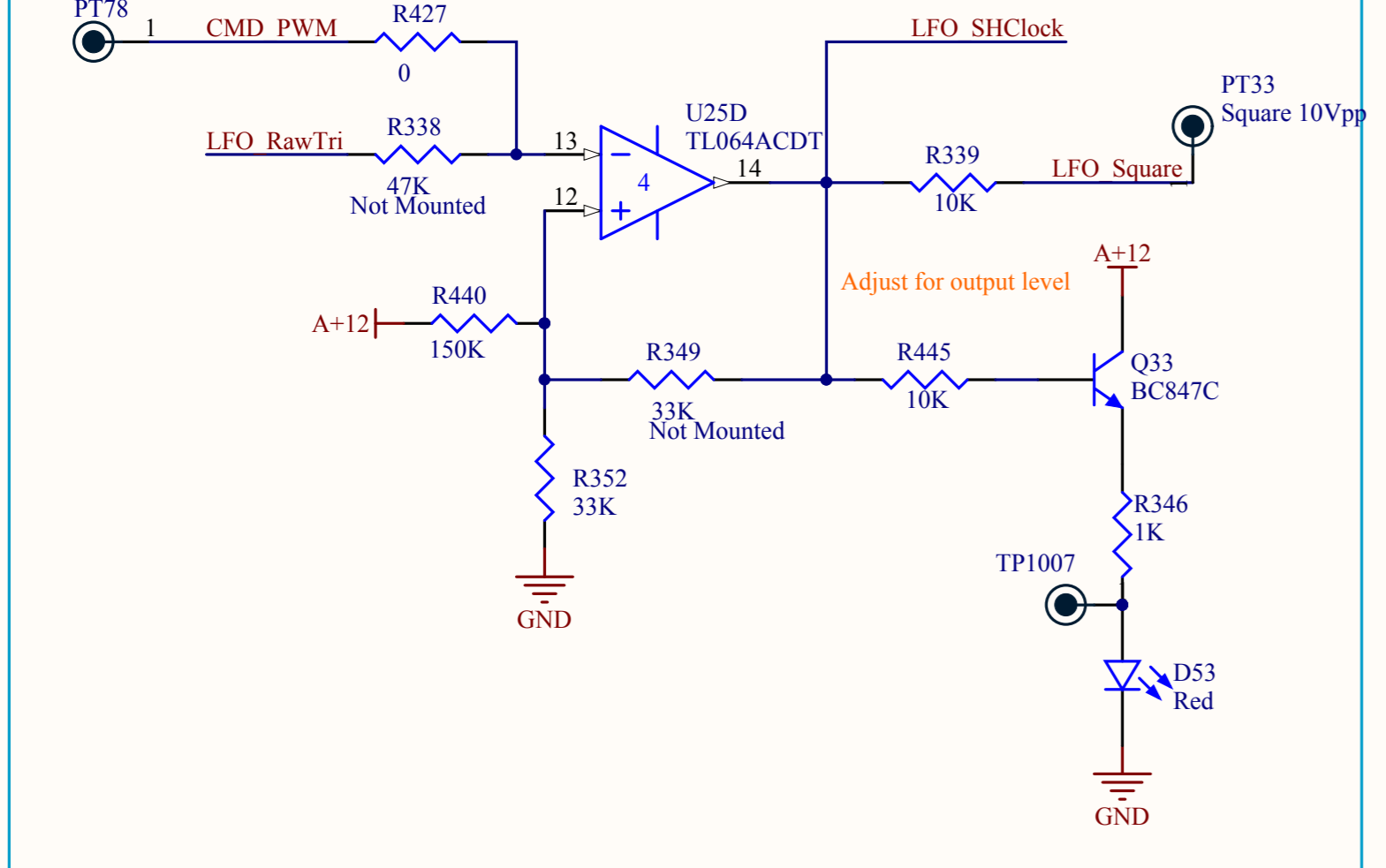
Modulation Amounts



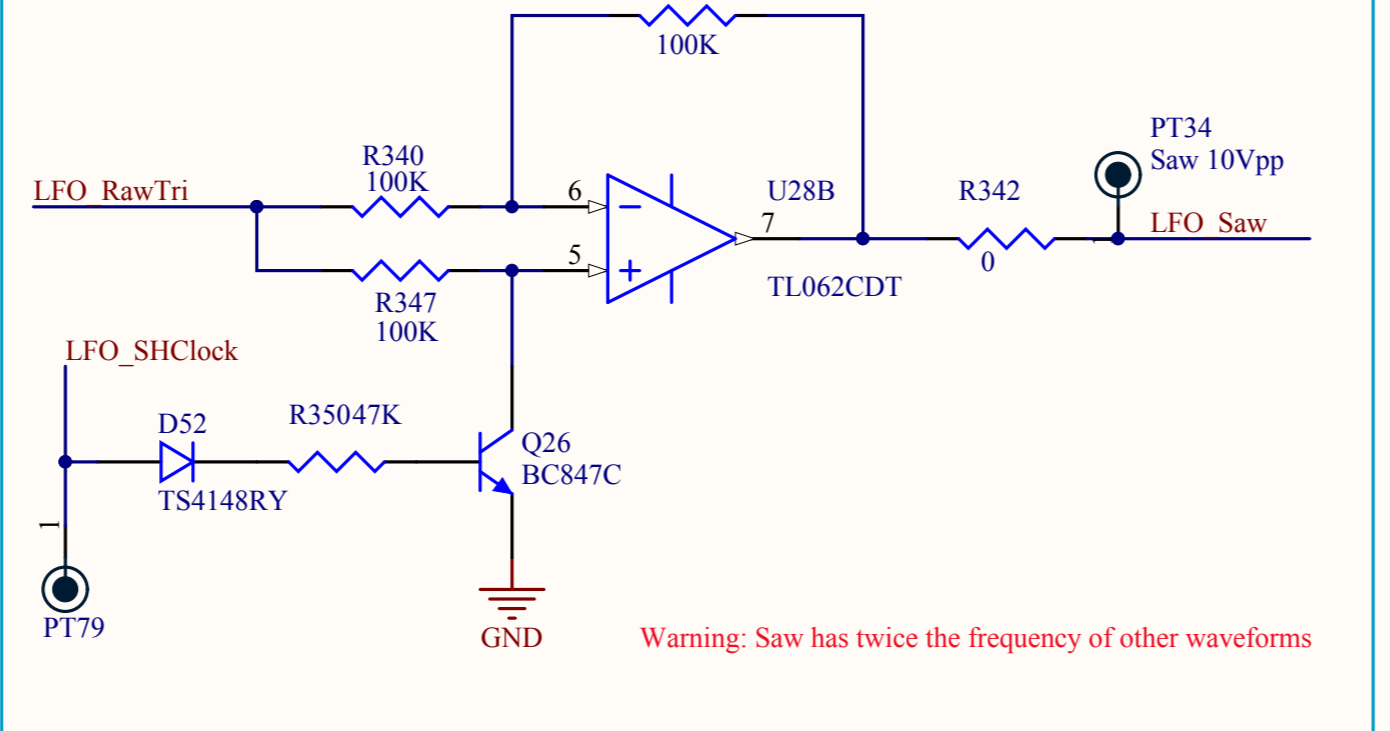
LFO Core



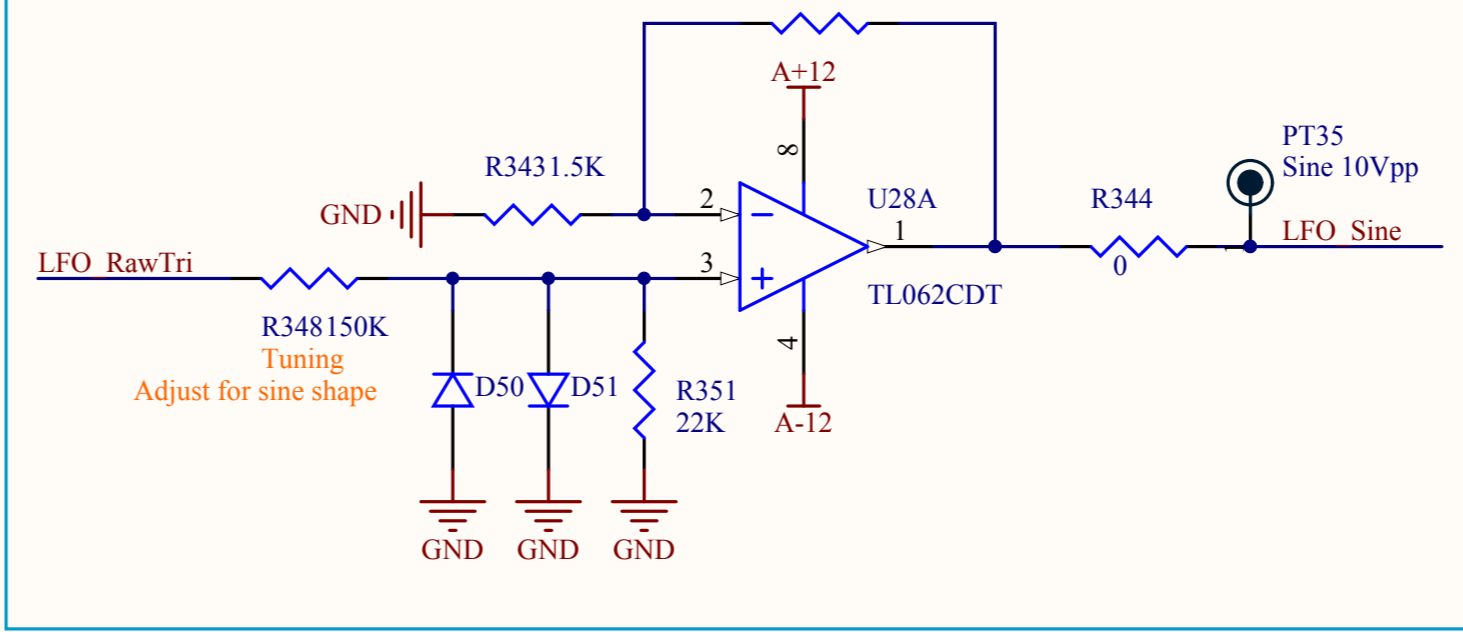
Square Generation



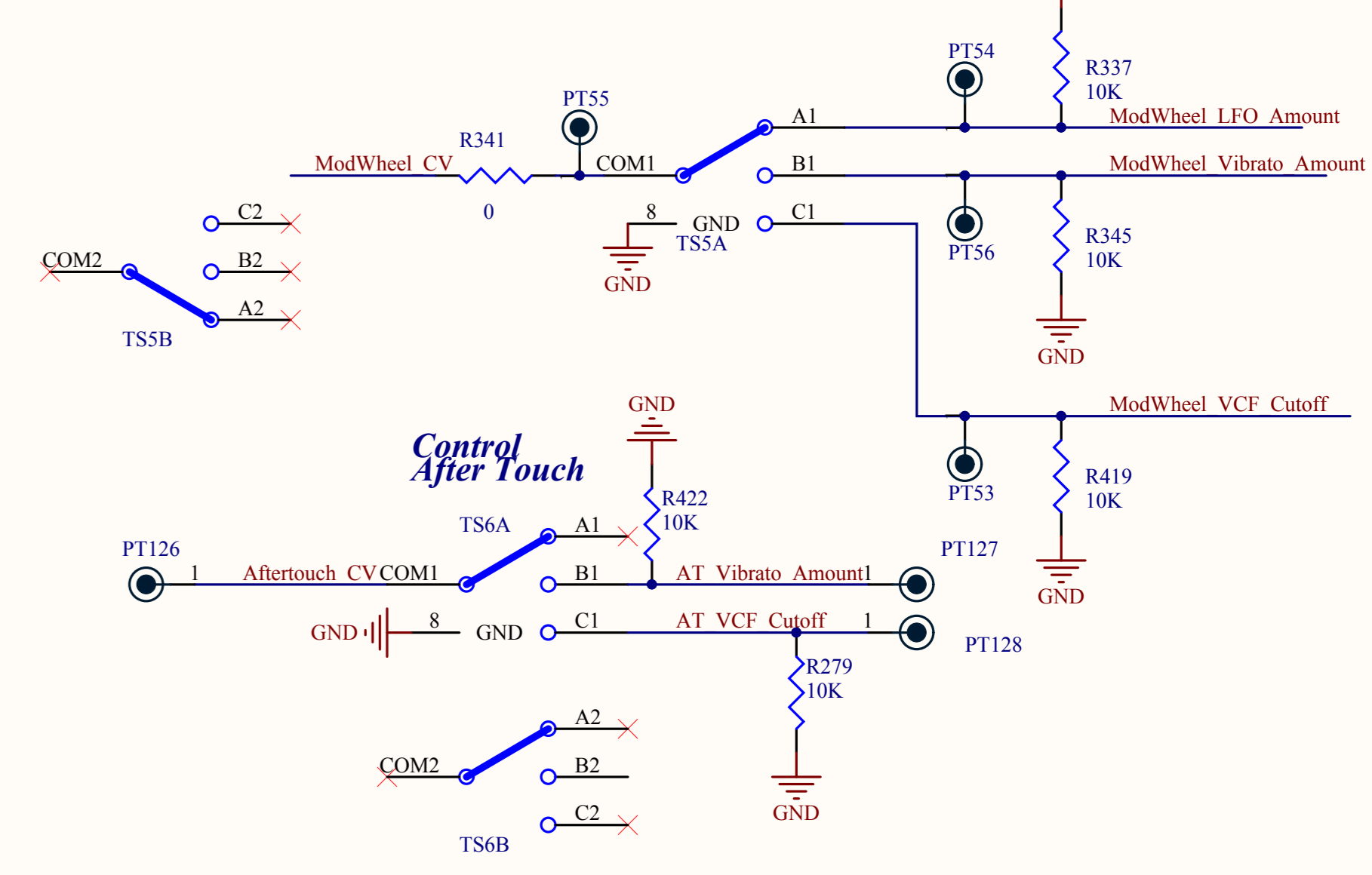
Saw Generation



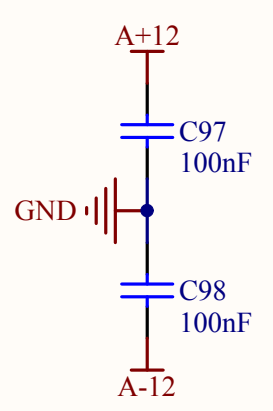
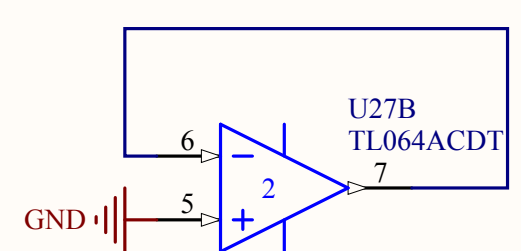
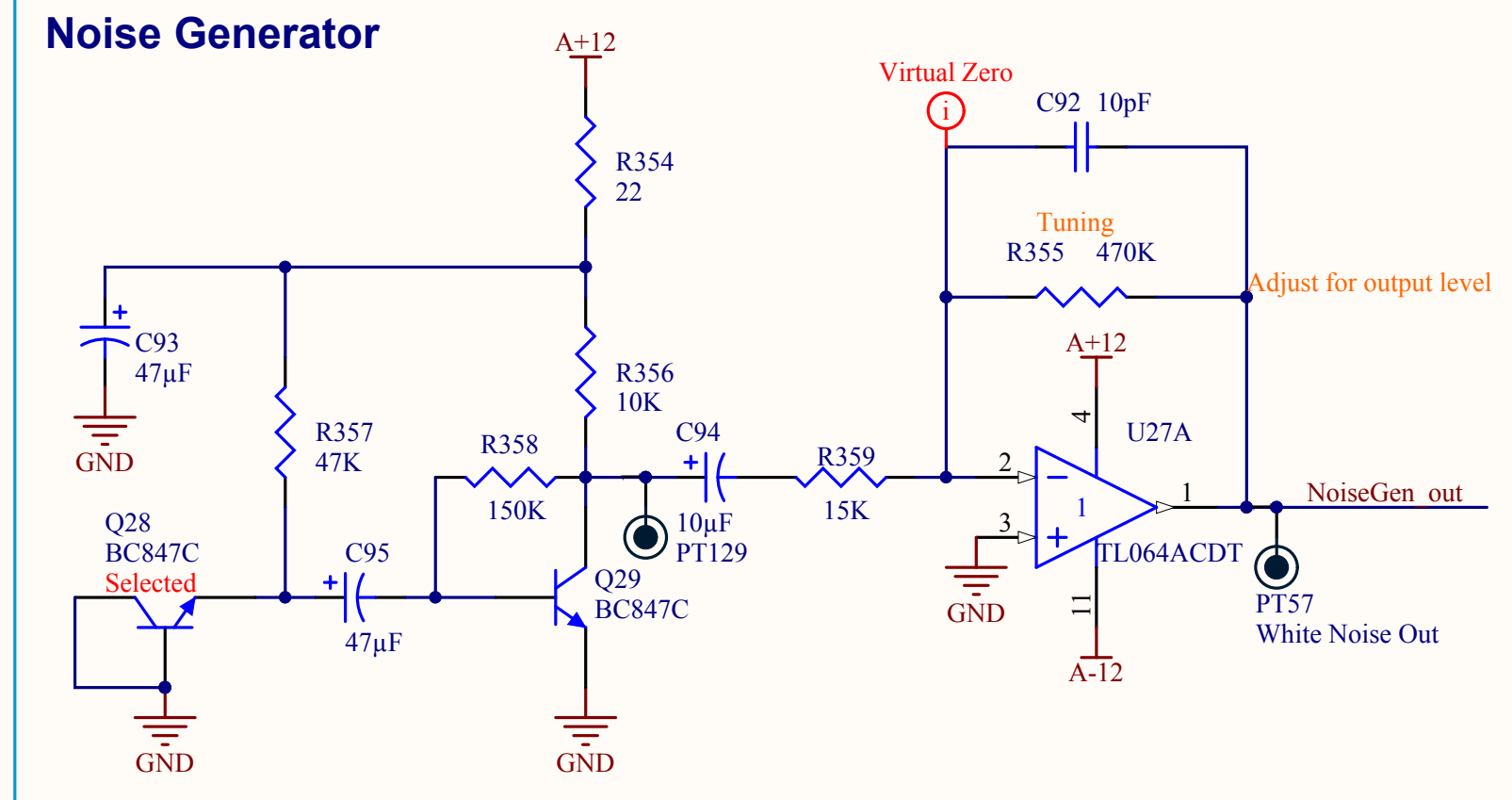
Sine Generation



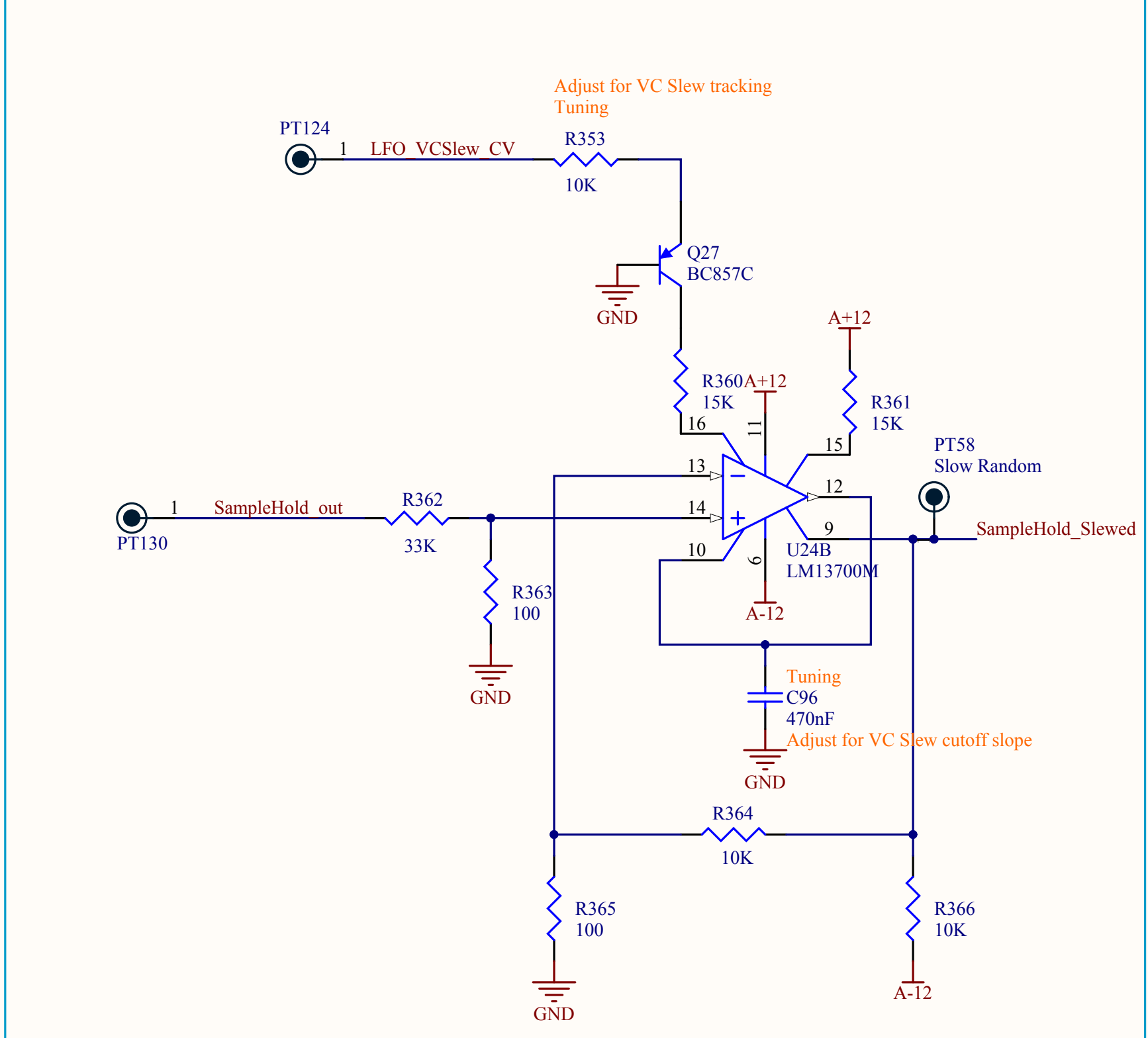
Control Mode Wheel



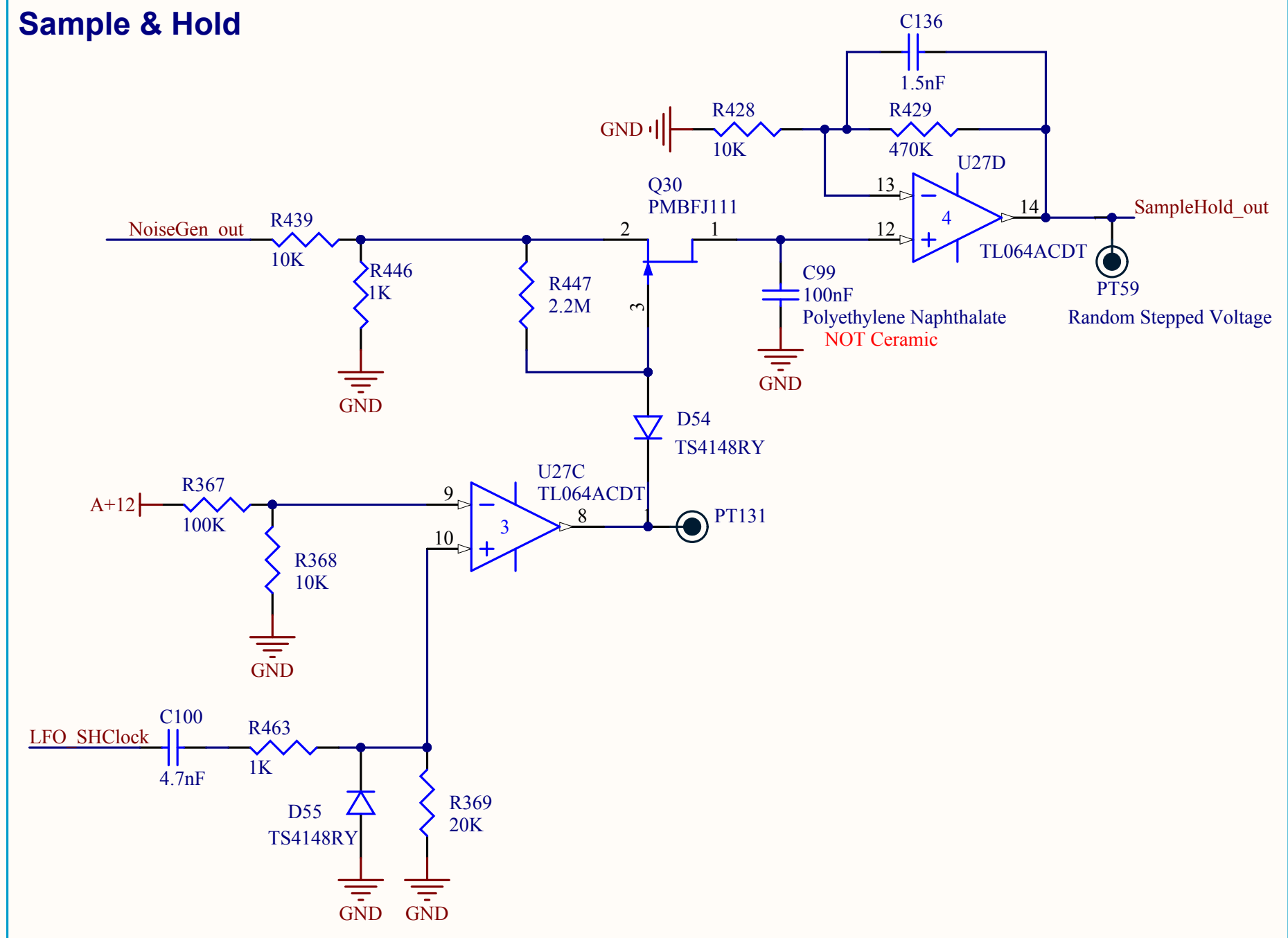
Noise Generator



VC Slew

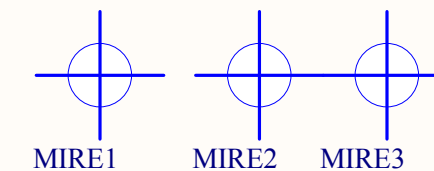
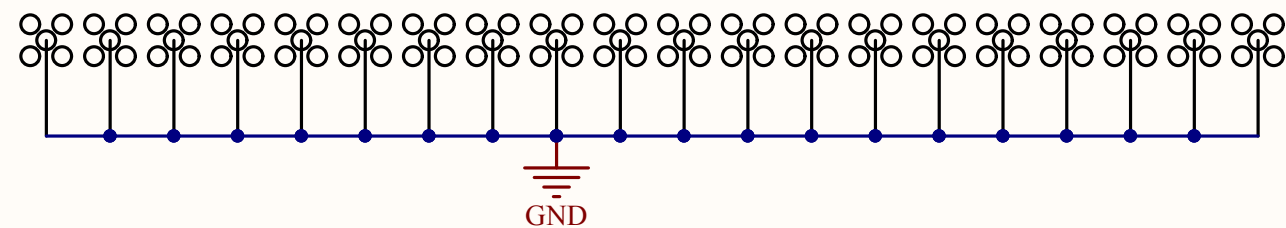


Sample & Hold

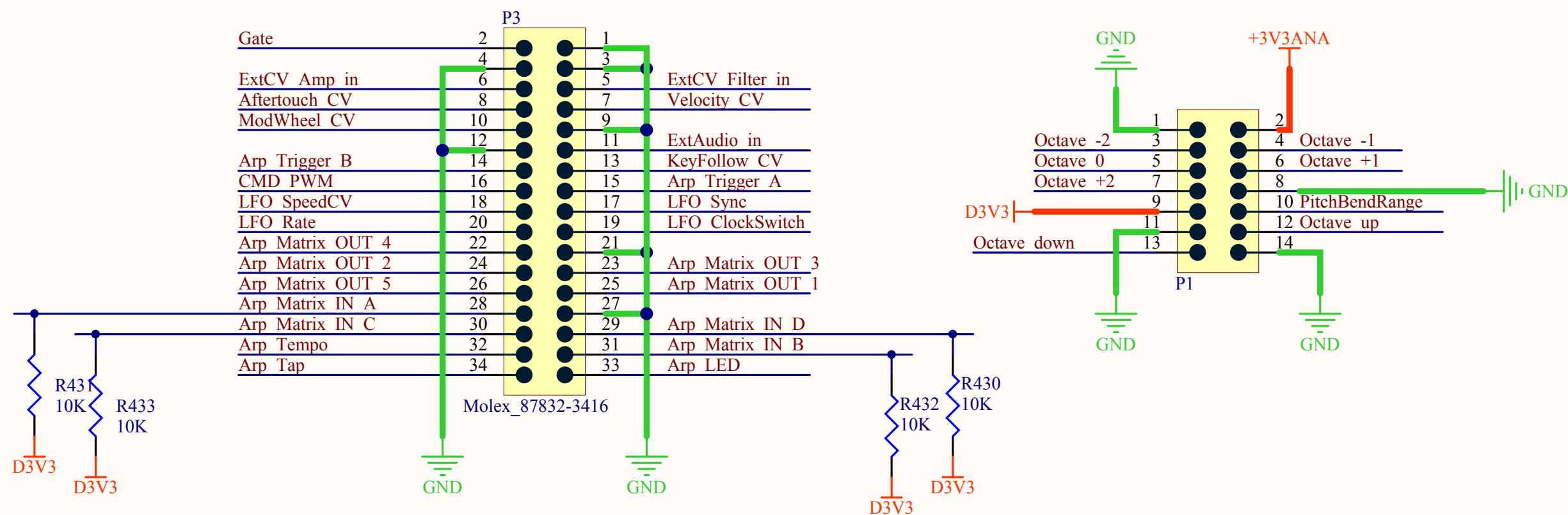


Design : Noise_SH.SchDoc Schematics	ARTURIA & Yves USSON	Details of this schematic are subject to change without notice. Any modification to any MiniBrute will immediately void its warranty. Arturia or any of its affiliates will not accept responsibility for any damages, personal loss or injury that may result from any modification to the device.		PAGE 13/ 15
		Project : miniBrute 13001 - AnalogBoard	Revision : F Public Release	

H1 H2 H3 H4 H5 H6 H7 H8 H9 H10 H11 H12 H13 H14 H15 H16 H17 H18 H19 H20



Main Connector



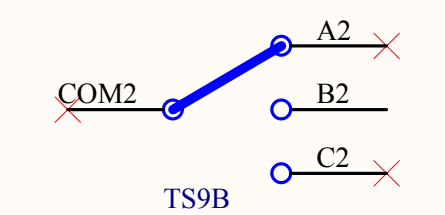
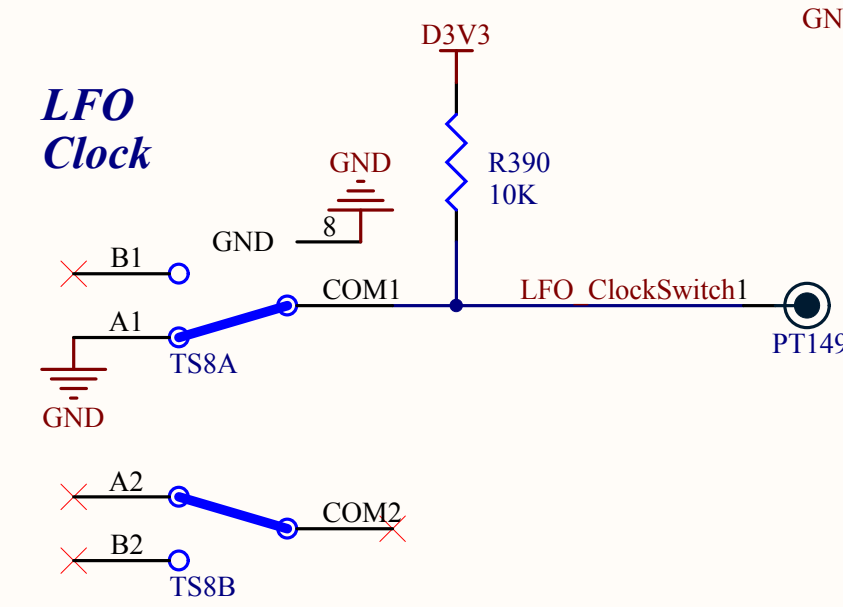
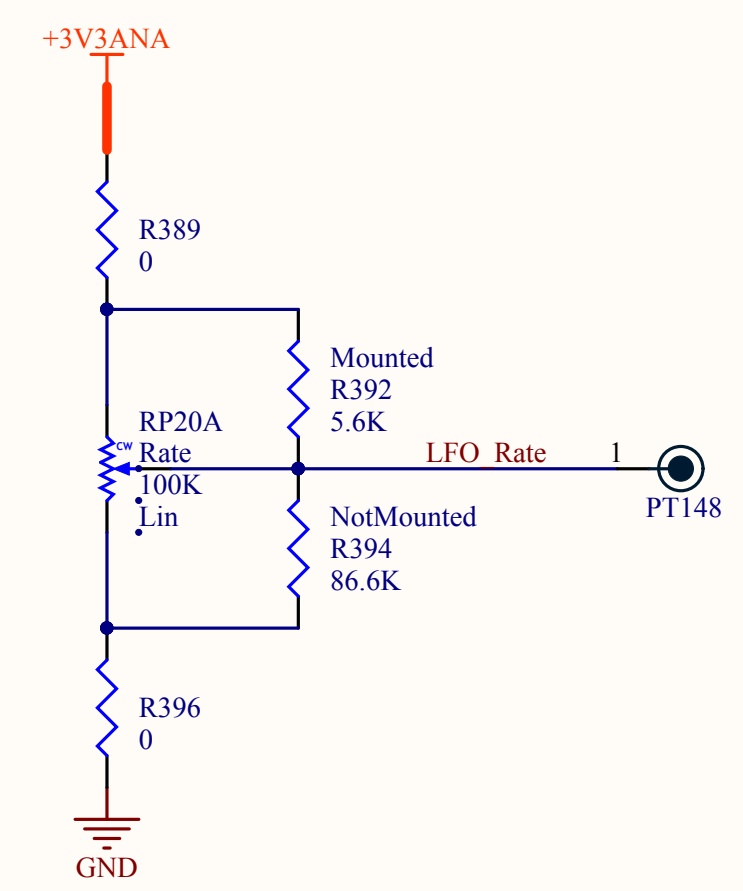
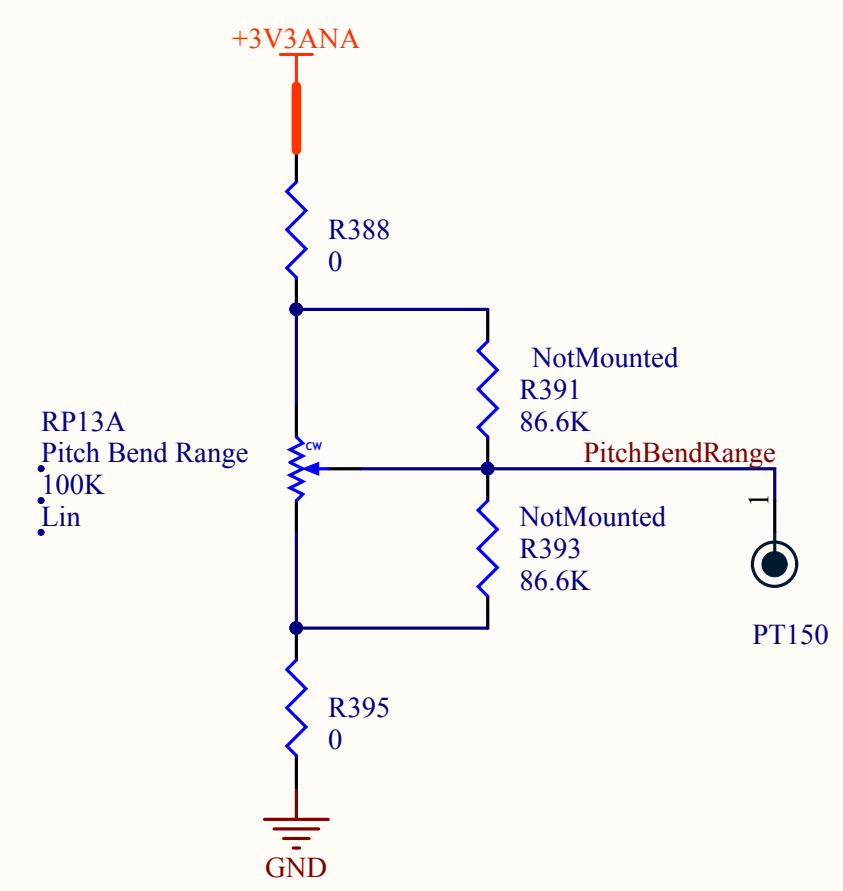
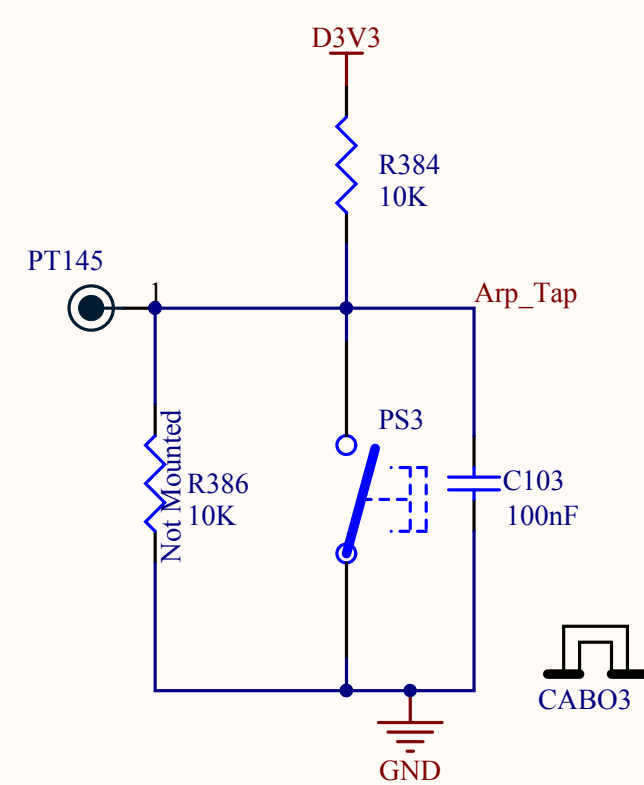
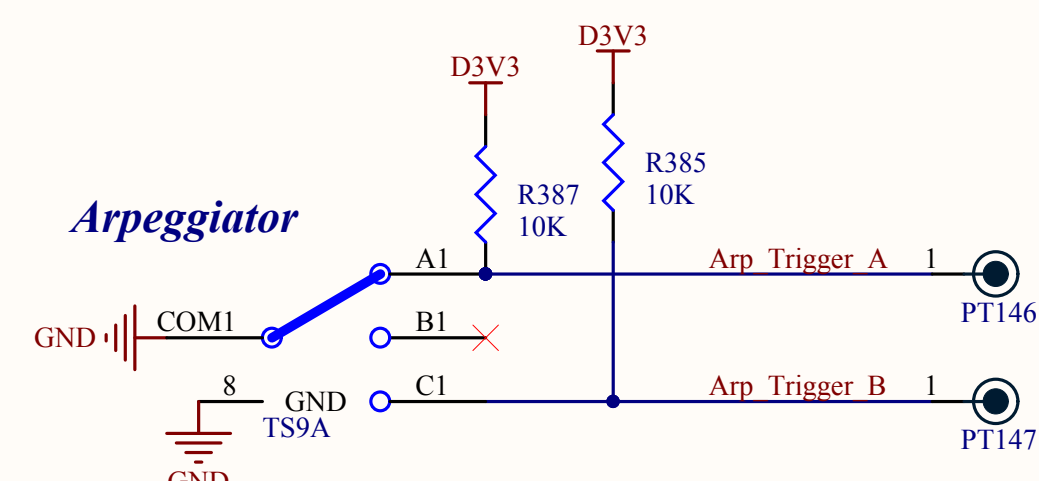
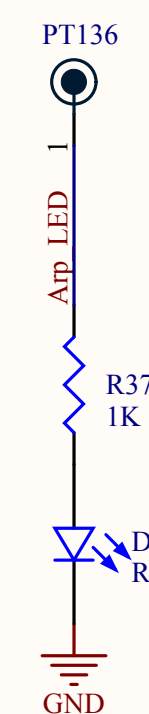
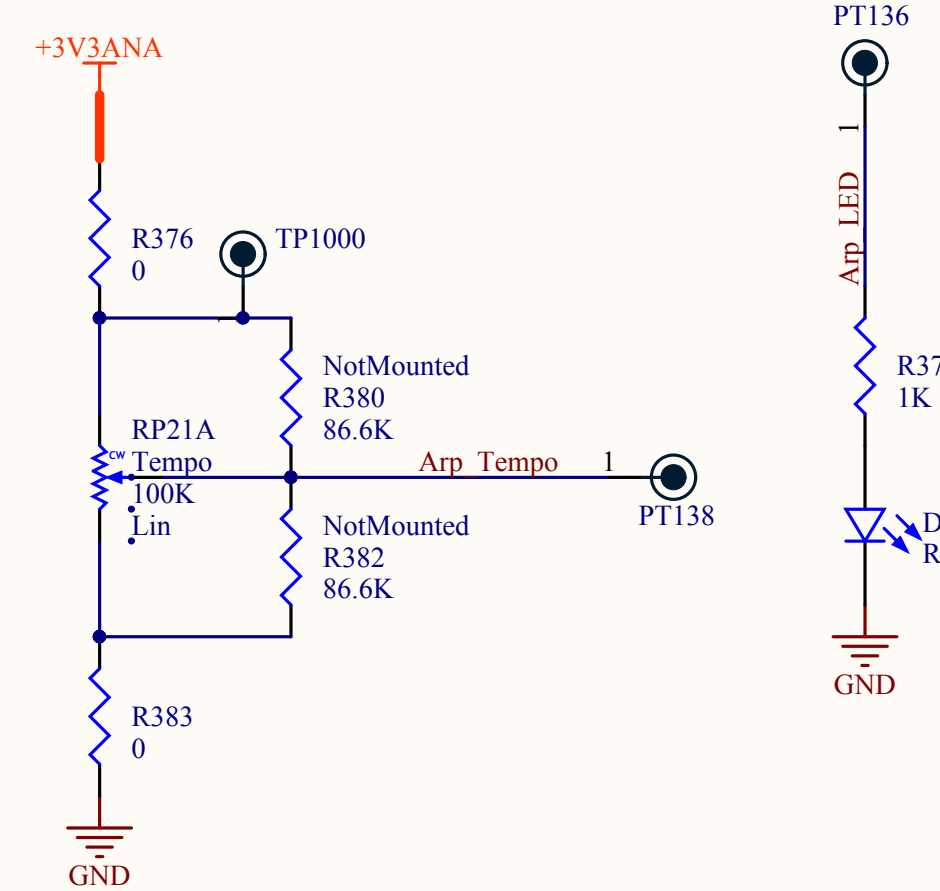
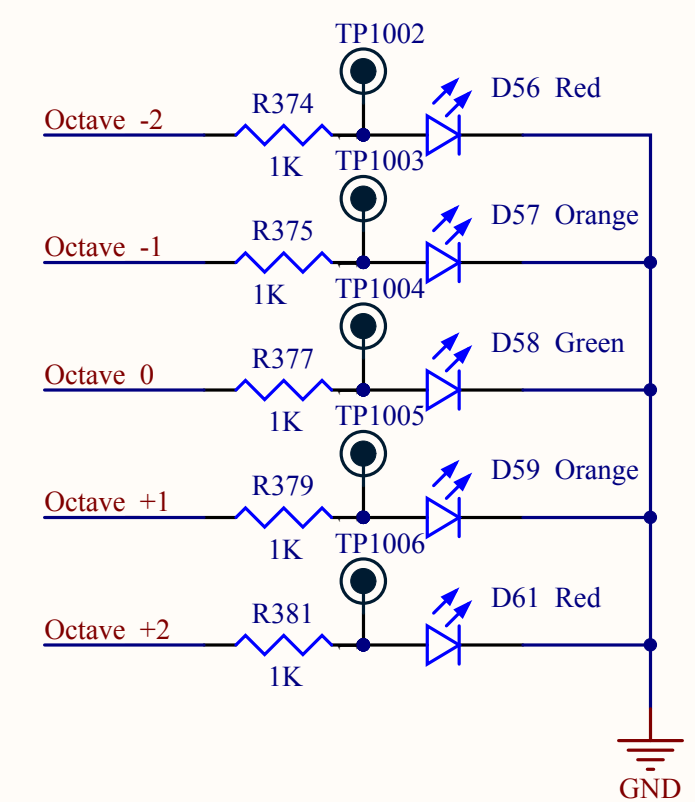
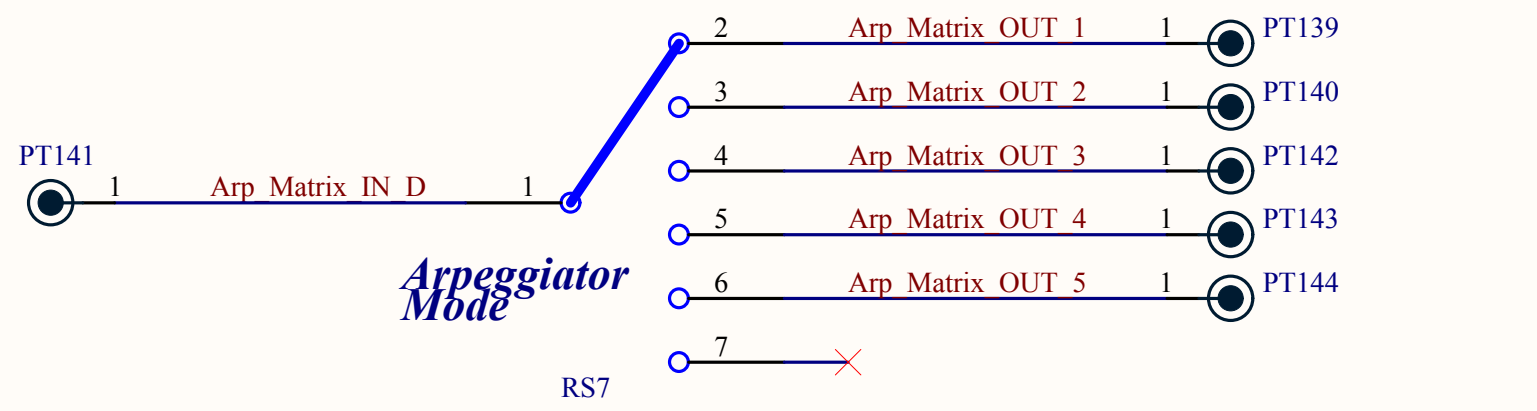
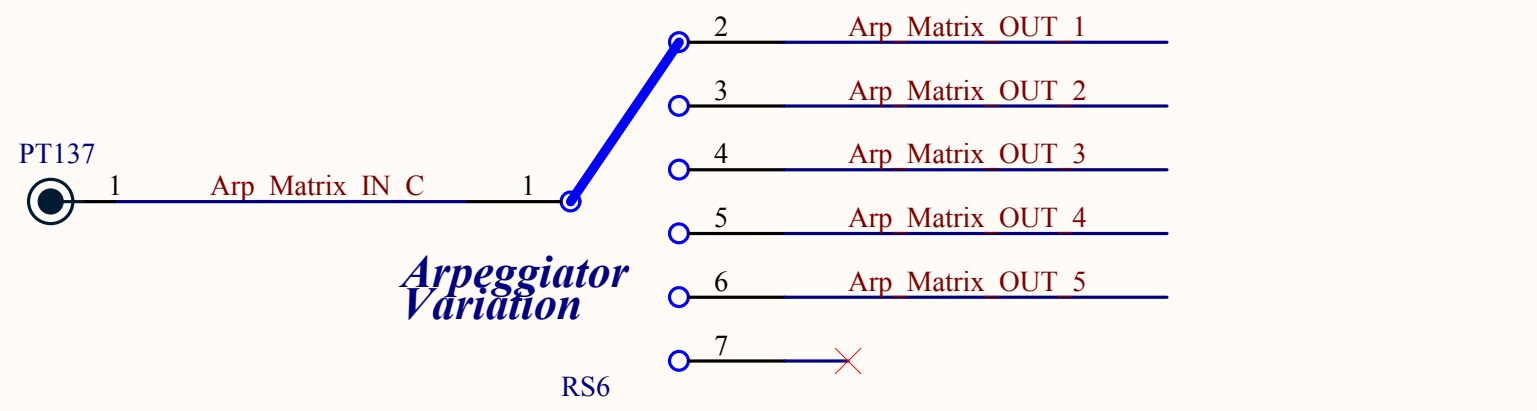
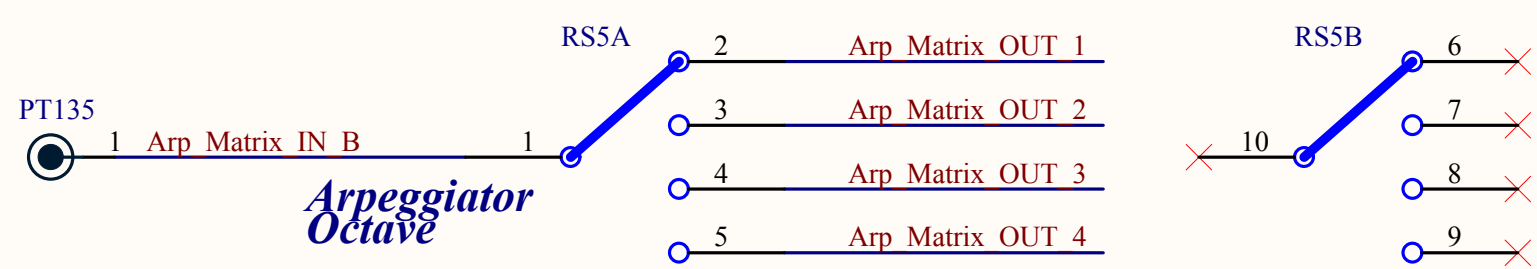
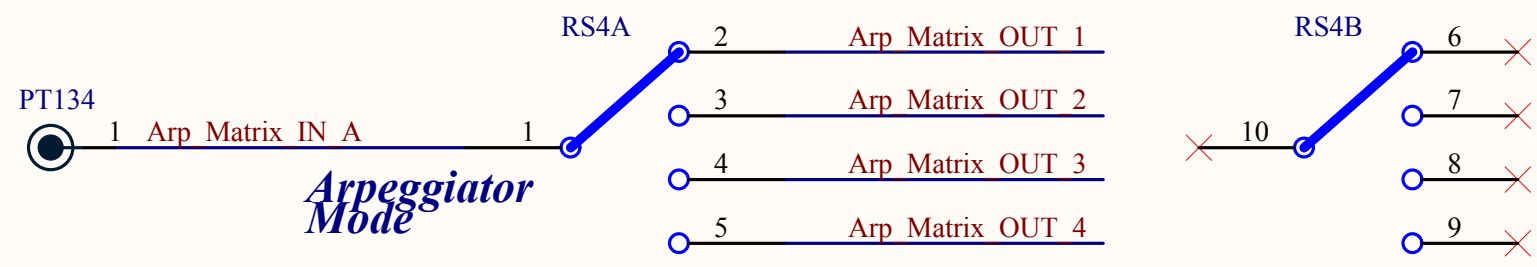
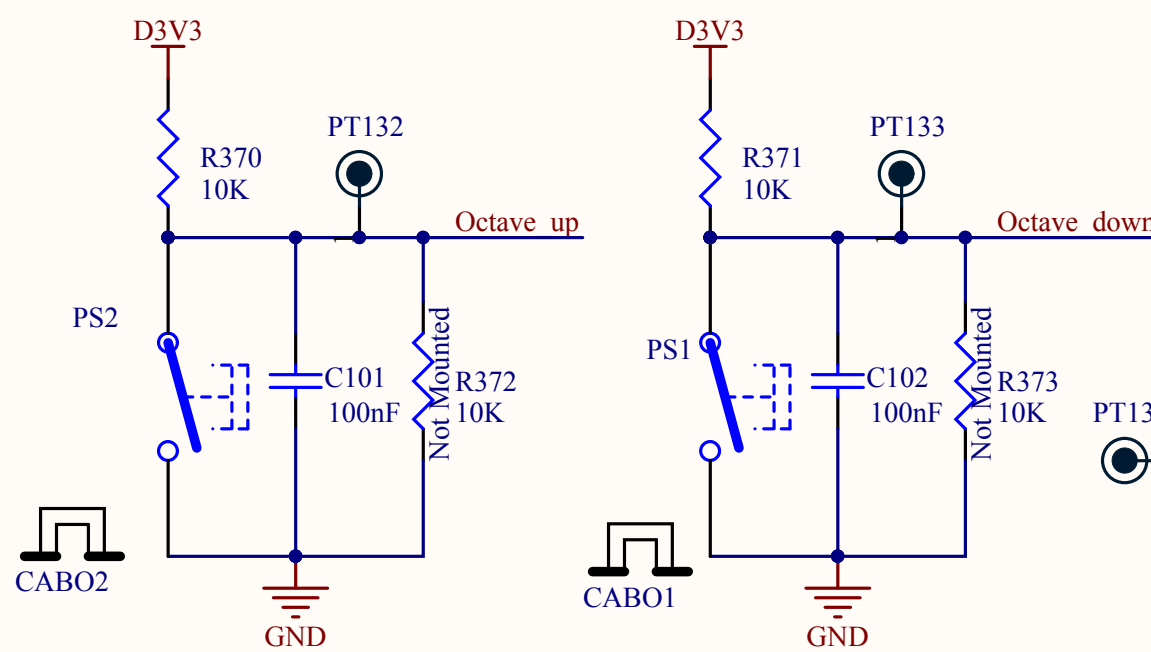
Design :
Connectors.SchDoc
Schematics

ARTURIA & Yves USSON

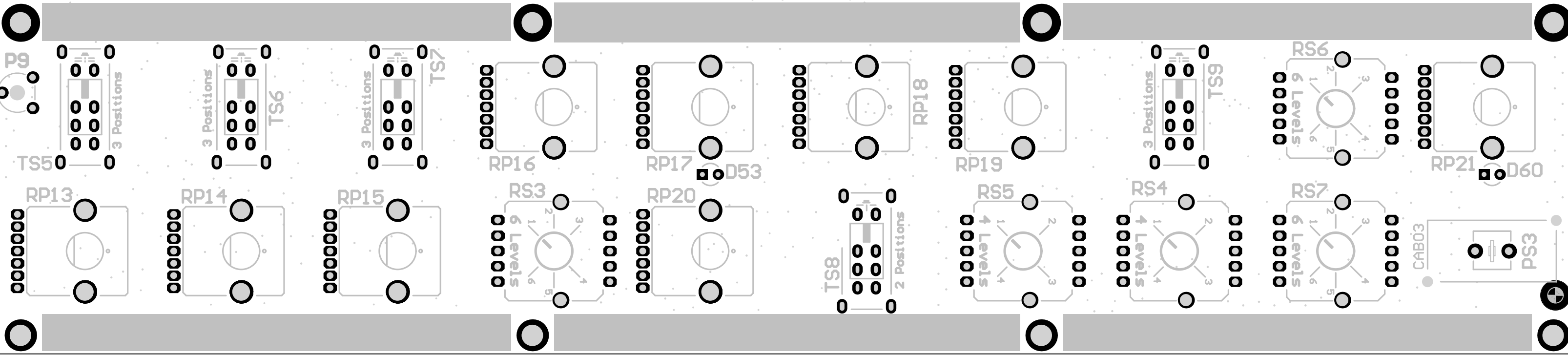
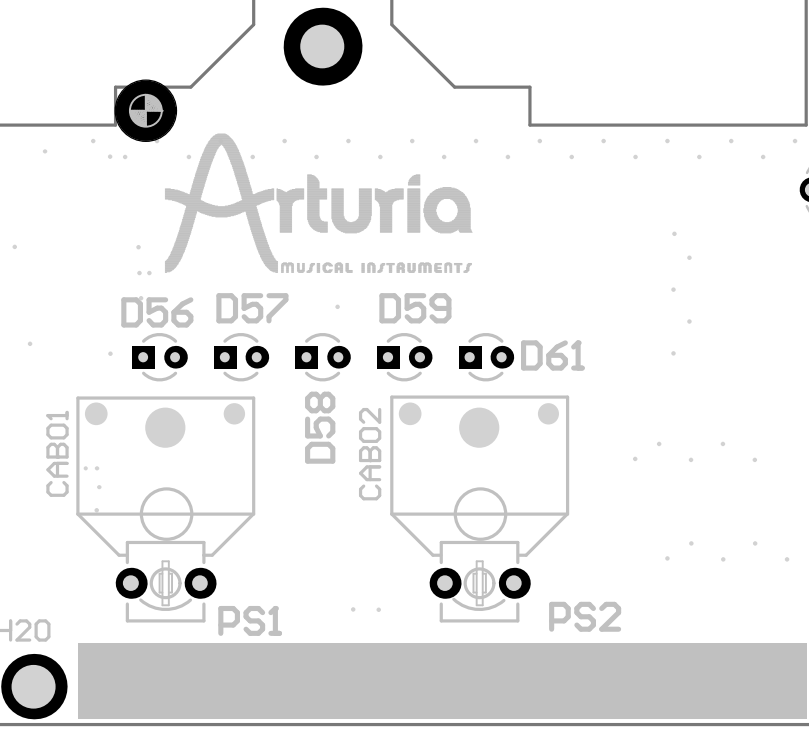
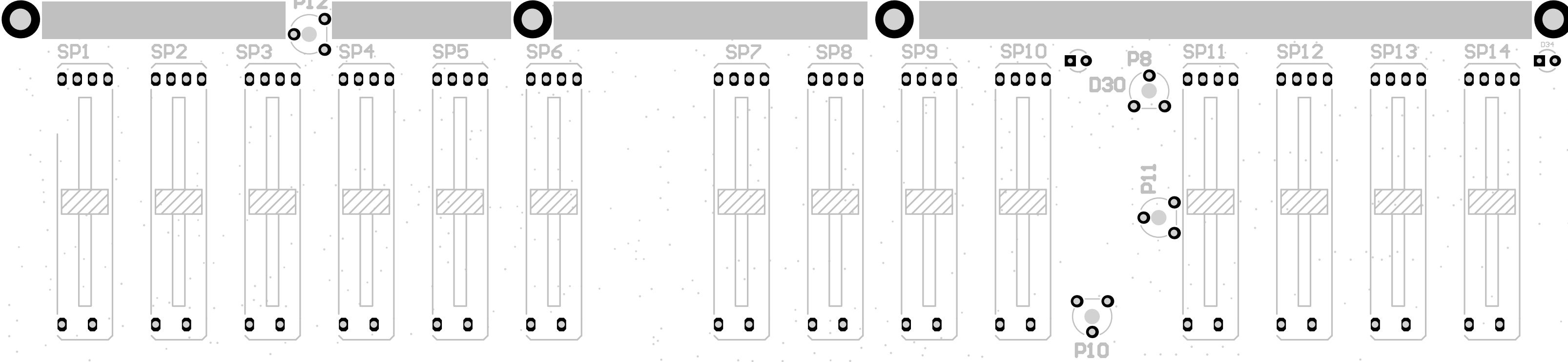
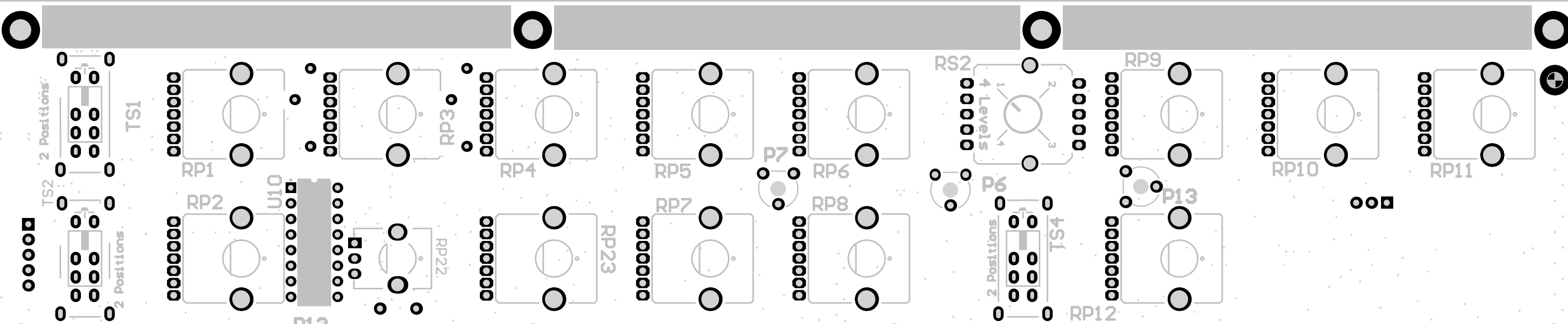
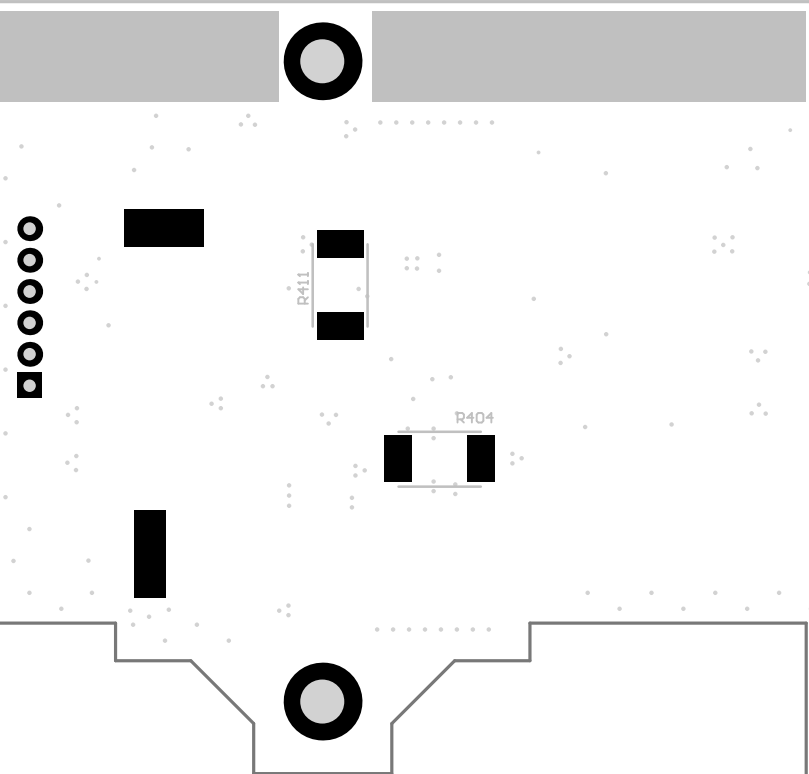
Details of this schematic are subject to change without notice. Any modification to any MiniBrute will immediately void its warranty. Arturia or any of its affiliates will not accept responsibility for any damages, personal loss or injury that may result from any modification to the device.

Project : miniBrute
13001 - AnalogBoard

PAGE 14/15
Revision : F
Public Release



Design : DigitalLand.SchDoc Schematics	ARTURIA & Yves USSON	Details of this schematic are subject to change without notice. Any modification to any MiniBrute will immediately void its warranty. Arturia or any of its affiliates will not accept responsibility for any damages, personal loss or injury that may result from any modification to the device.		PAGE 15/ 15
		Project : miniBrute 13001 - AnalogBoard		Revision : F Public Release



MiniBrite : Analog Board
CU13001
Revision F
ARTURIA

