

Details of this schematic are subject to change without notice.
 Any modification to any MiniBrute will immediately void its warranty.
 Arturia or any of its affiliates will not accept responsibility for any damages, personal loss or injury that may result from any modification

Title EnvDest.SchDoc		
Size: A4	Number: 2	Revision: B
Date: 03/09/2015	Time: 16:37:15	Sheet 2 of 13
File: G:\MicroBrute_publicRelease\EnvDest.SchDoc		

Arturia
 30, chemin du vieux chene
 38240 Meylan
 FRANCE

ARTURIA

A

B

C

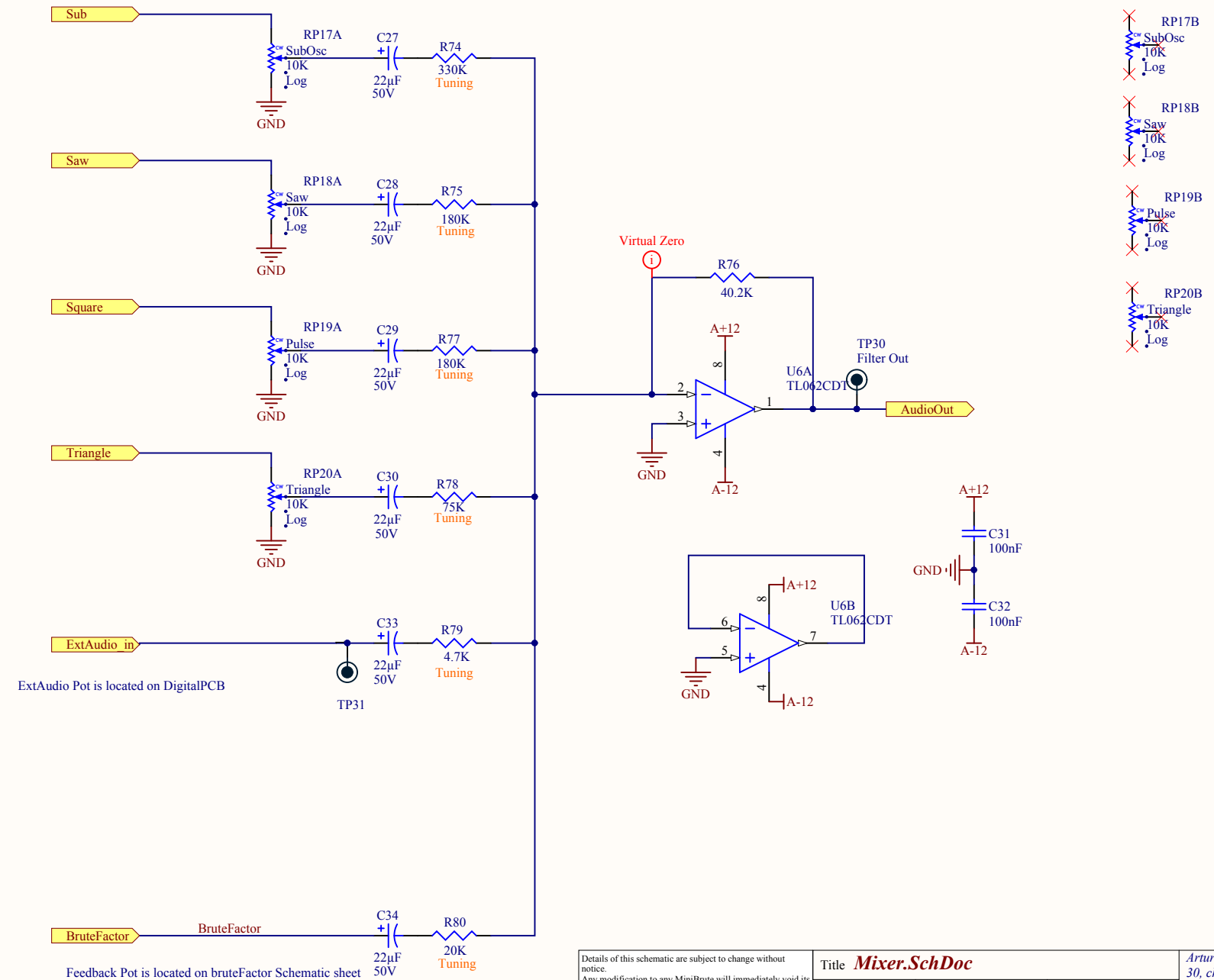
D

A

B

C

D



ExtAudio Pot is located on DigitalPCB

Feedback Pot is located on bruteFactor Schematic sheet

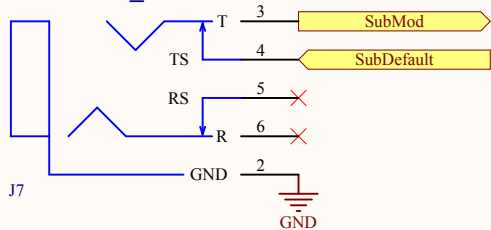
Details of this schematic are subject to change without notice.
 Any modification to any MiniBrute will immediately void its warranty.
 Arturia or any of its affiliates will not accept responsibility for any damages, personal loss or injury that may result from any modification

Title Mixer.SchDoc		
Size: A4	Number: 3	Revision: B
Date: 03/09/2015	Time: 16:37:15	Sheet 3 of 13
File: G:\MicroBrute_publicRelease\Mixer.SchDoc		

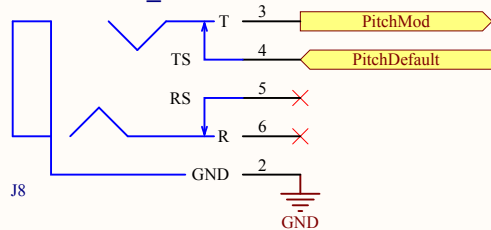
Arturia
 30, chemin du vieux chene
 38240 Meylan
 FRANCE

ARTURIA

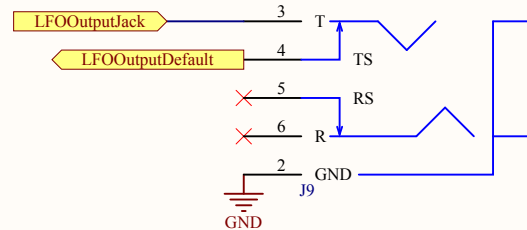
Sub_In



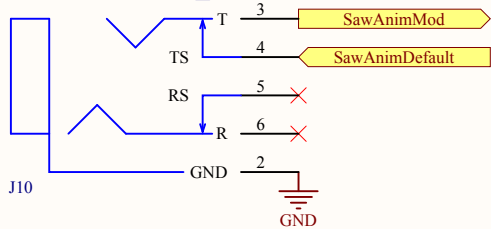
Pitch_In



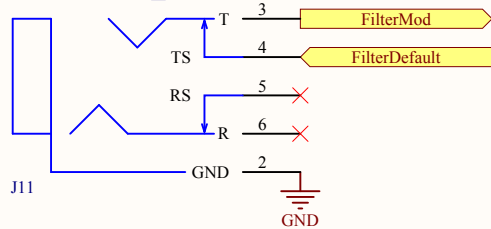
LFO_out



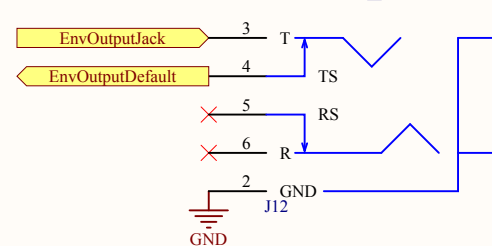
SawAnim_In



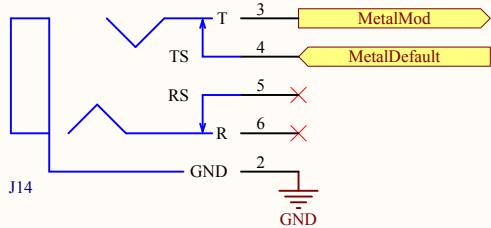
Filter_In



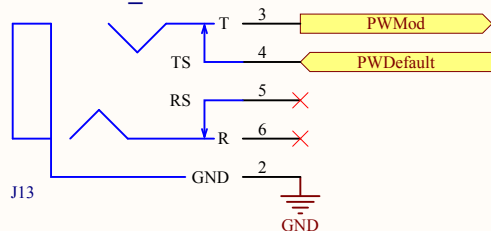
Env_out



Metal_In



PW_In



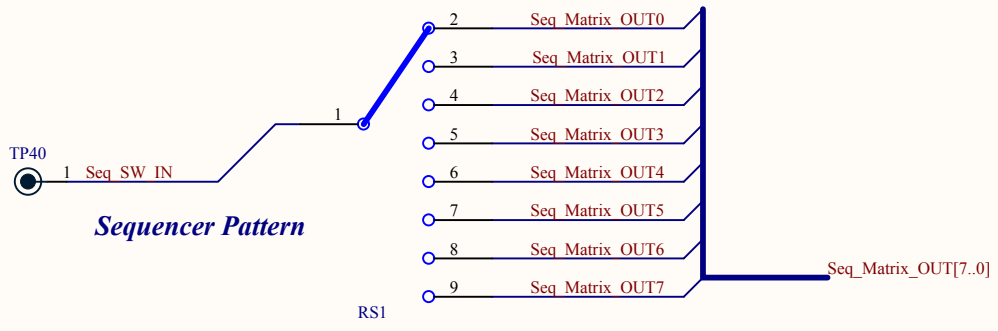
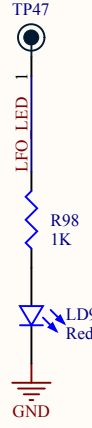
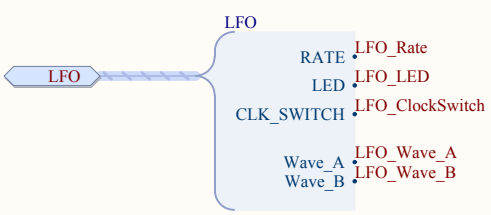
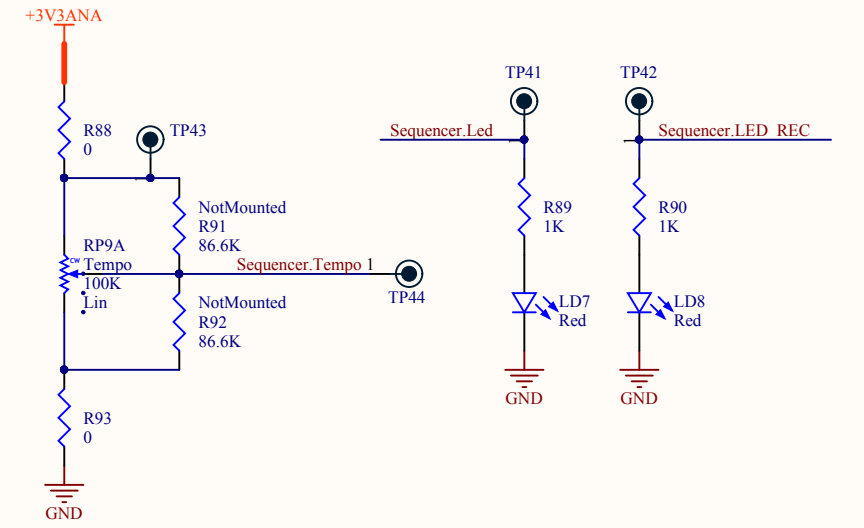
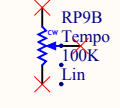
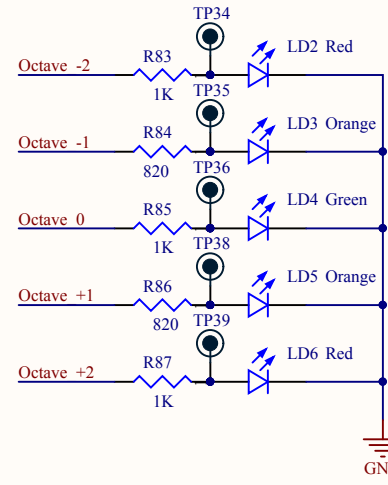
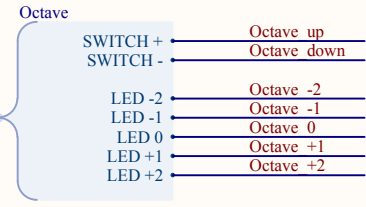
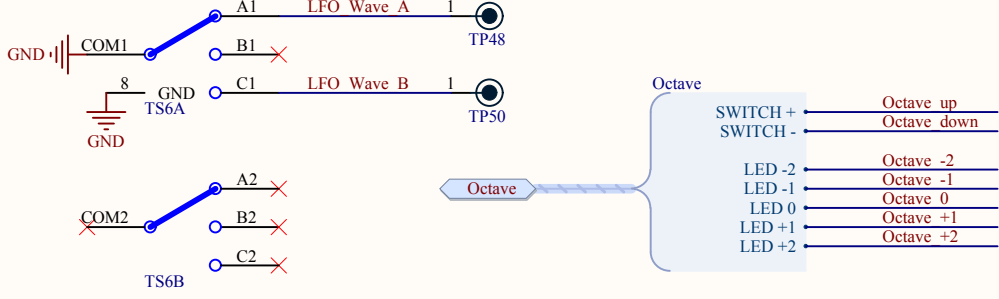
Details of this schematic are subject to change without notice.
 Any modification to any MiniBrute will immediately void its warranty.
 Arturia or any of its affiliates will not accept responsibility for any damages, personal loss or injury that may result from any modification

Title PatchBay.SchDoc		
Size: A4	Number: 4	Revision: B
Date: 03/09/2015	Time: 16:37:16	Sheet 4 of 13
File: G:\MicroBrute_publicRelease\PatchBay.SchDoc		

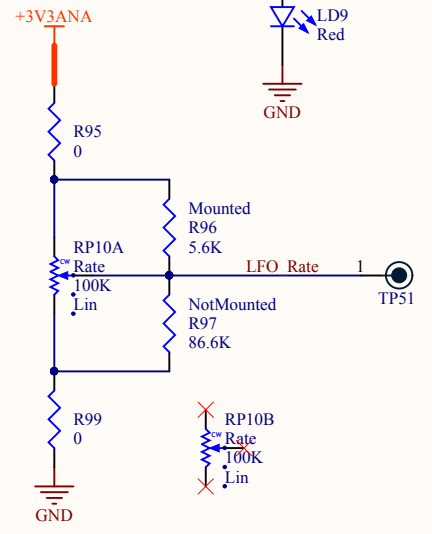
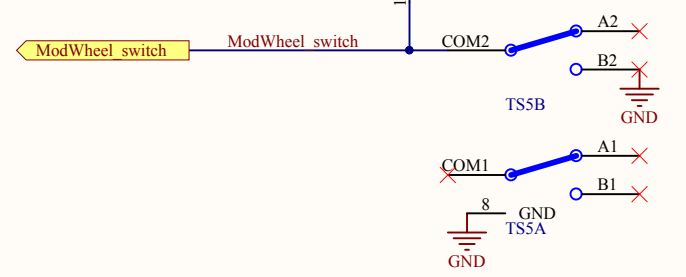
Arturia
 30, chemin du vieux chene
 38240 Meylan
 FRANCE

ARTURIA

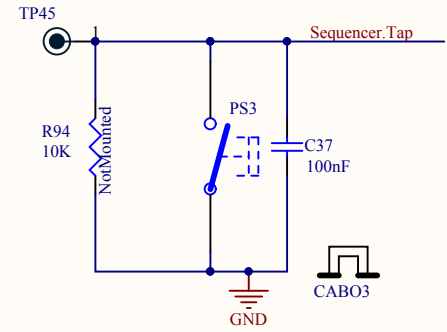
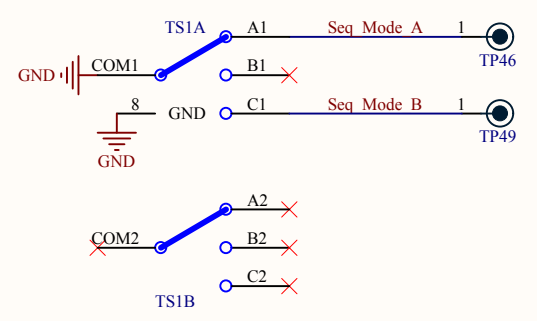
LFO WAVE



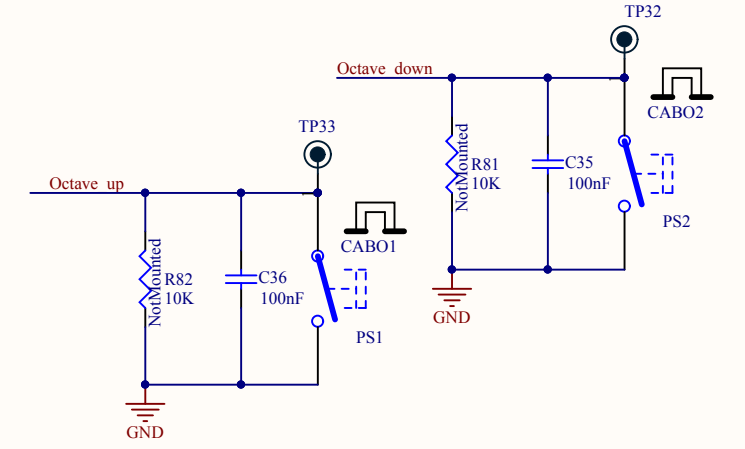
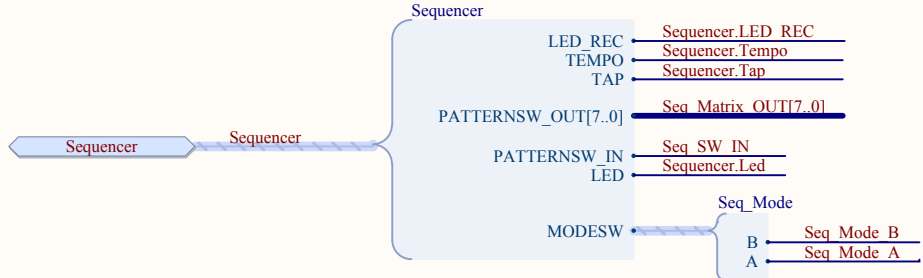
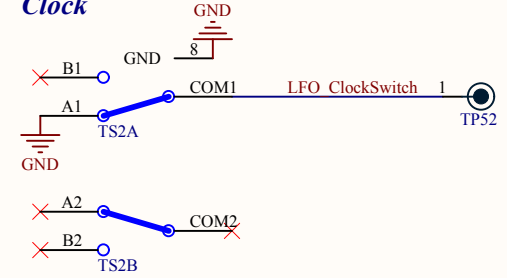
Control Mode Wheel

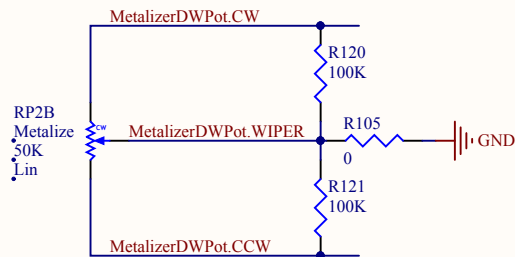
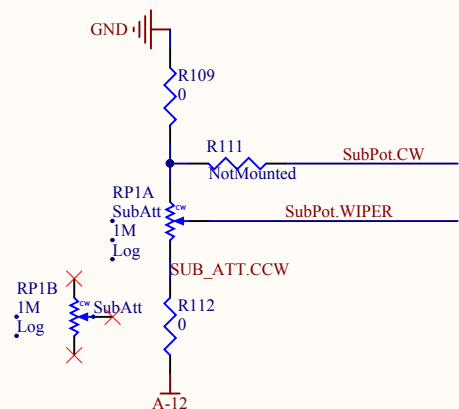
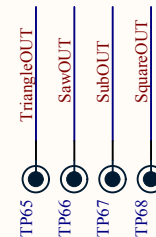
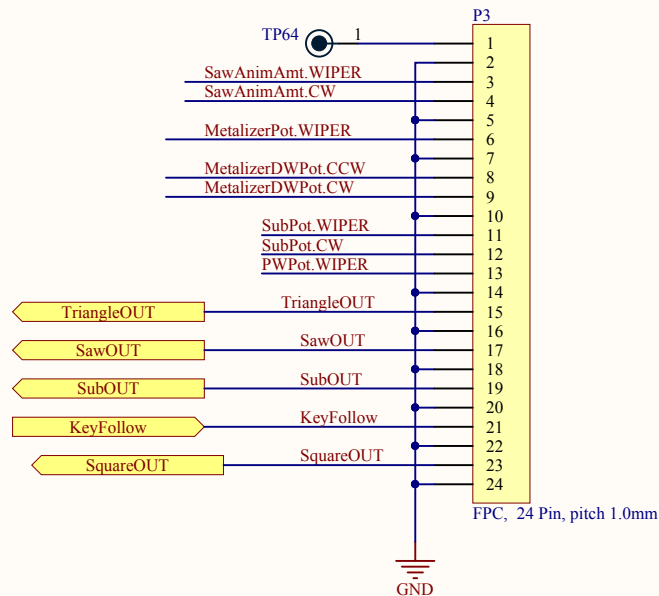
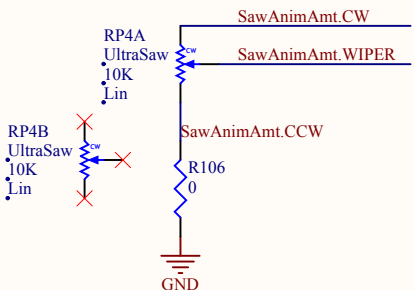
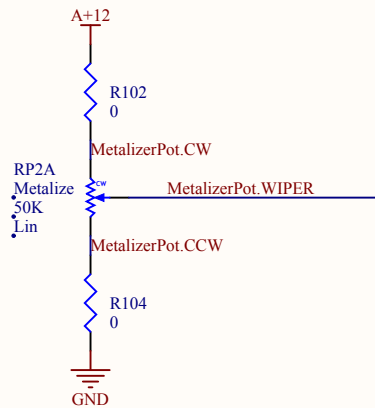
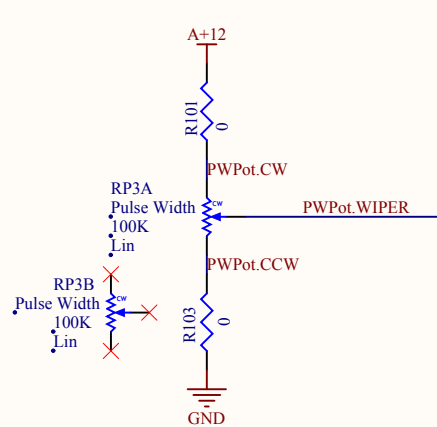


Sequencer



LFO Clock



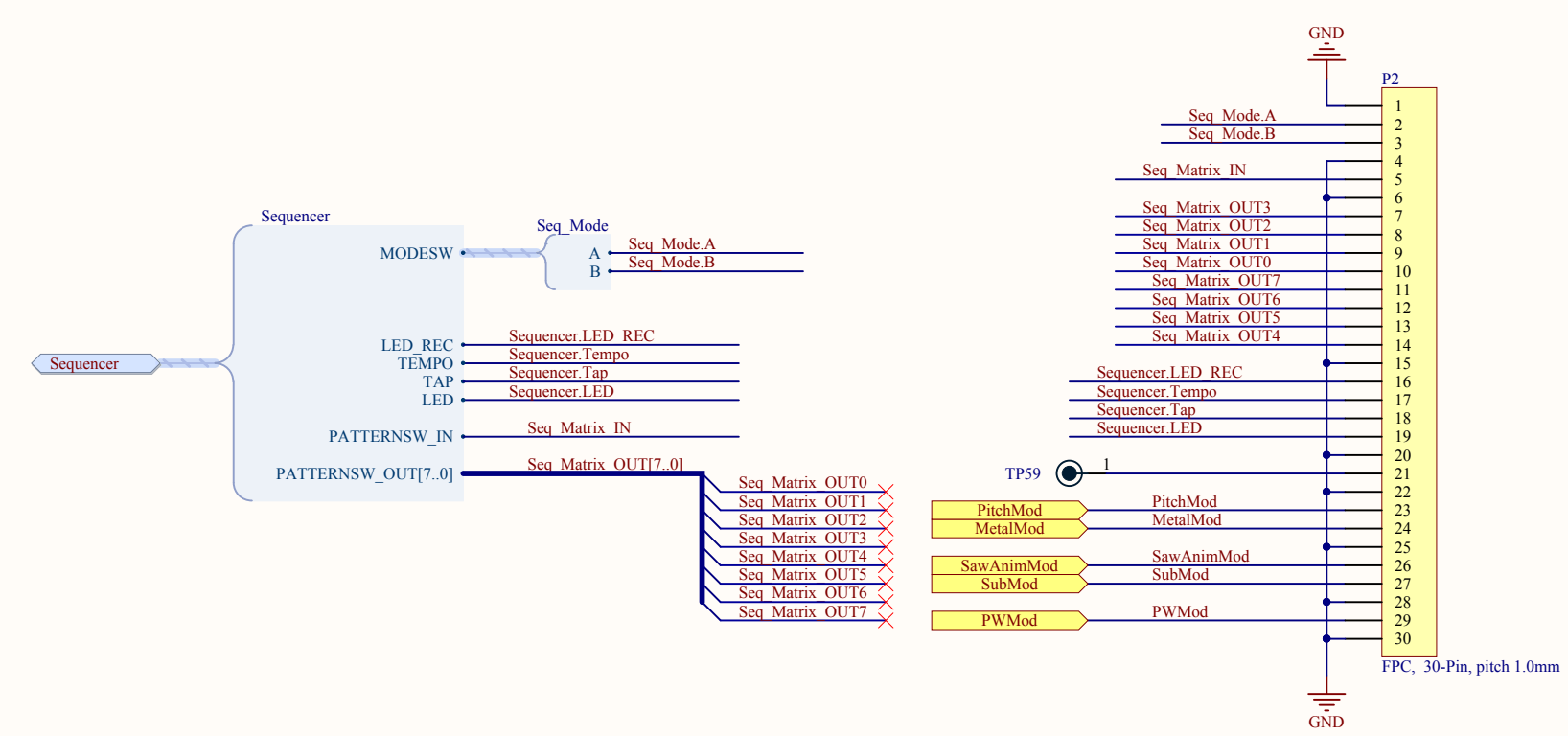
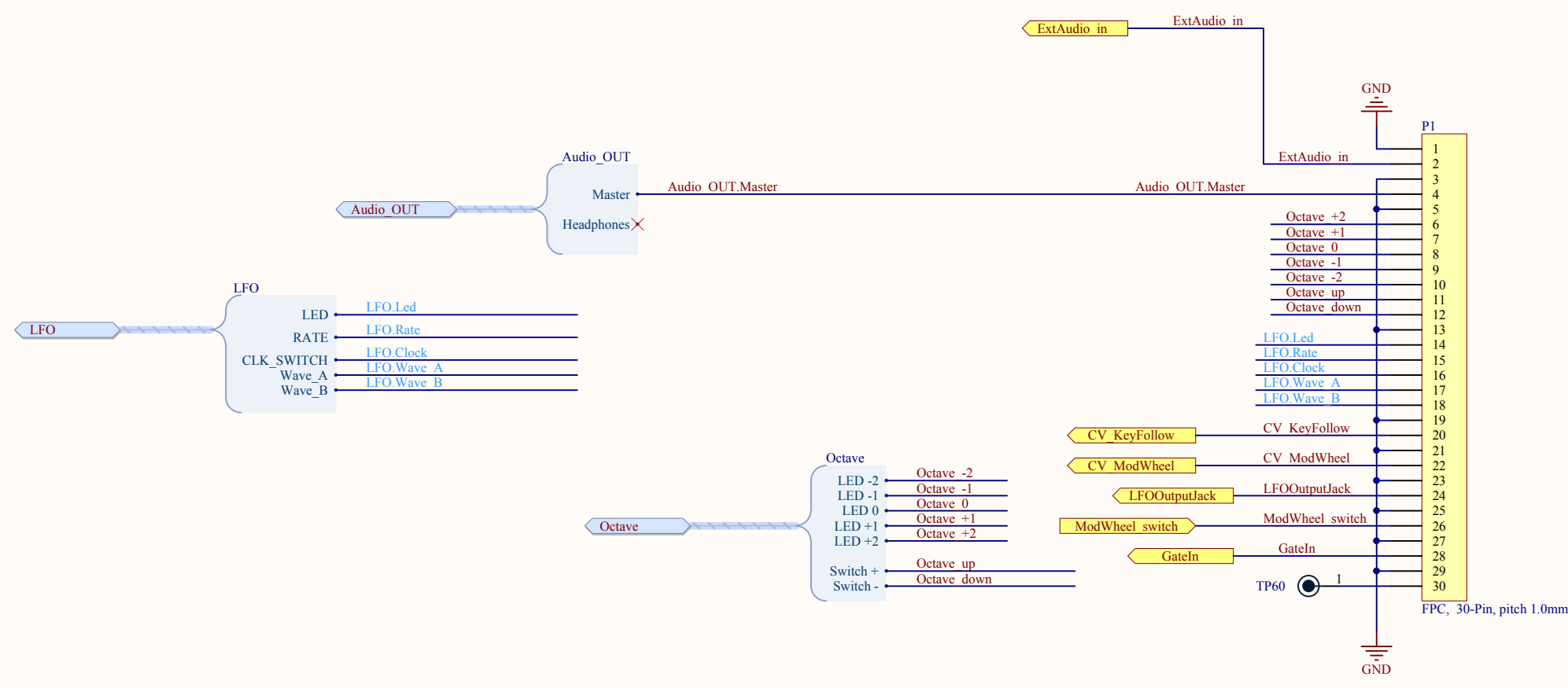


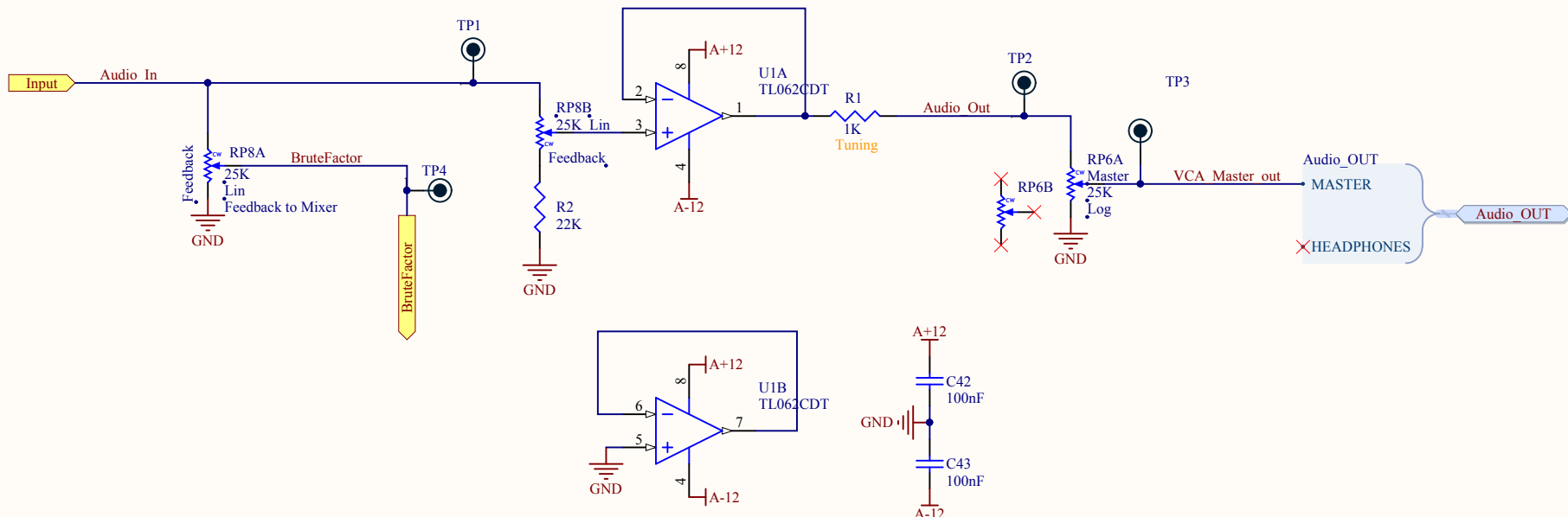
Details of this schematic are subject to change without notice.
 Any modification to any MiniBrute will immediately void its warranty.
 Arturia or any of its affiliates will not accept responsibility for any damages, personal loss or injury that may result from any modification

Title VCO_Connect.SchDoc		
Size: A4	Number:6	Revision:B
Date: 03/09/2015	Time: 16:37:16	Sheet6 of 13
File: G:\MicroBrute_publicRelease\VCO_Connect.SchDoc		

Arturia
 30, chemin du vieux chene
 38240 Meylan
 FRANCE

ARTURIA



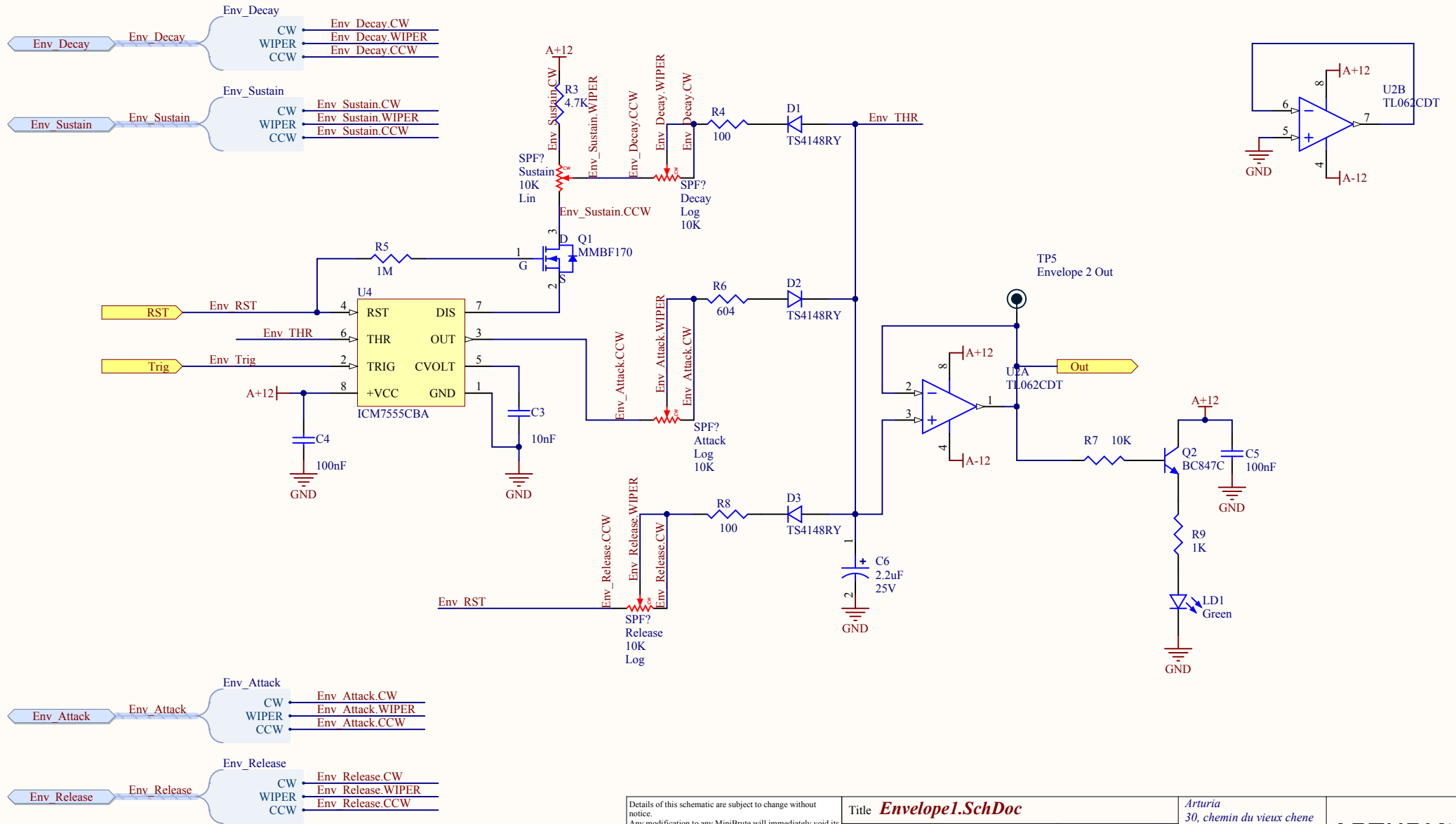


Details of this schematic are subject to change without notice.
 Any modification to any MiniBrute will immediately void its warranty.
 Arturia or any of its affiliates will not accept responsibility for any damages, personal loss or injury that may result from any modification

Title BruteFactor.SchDoc			Arturia 30, chemin du vieux chene 38240 Meylan FRANCE
Size: A4	Number: 8	Revision: B	
Date: 03/09/2015	Time: 16:37:16	Sheet 8 of 13	
File: G:\MicroBrute_publicRelease\Modules\Analog\BruteFactor.SchDoc			



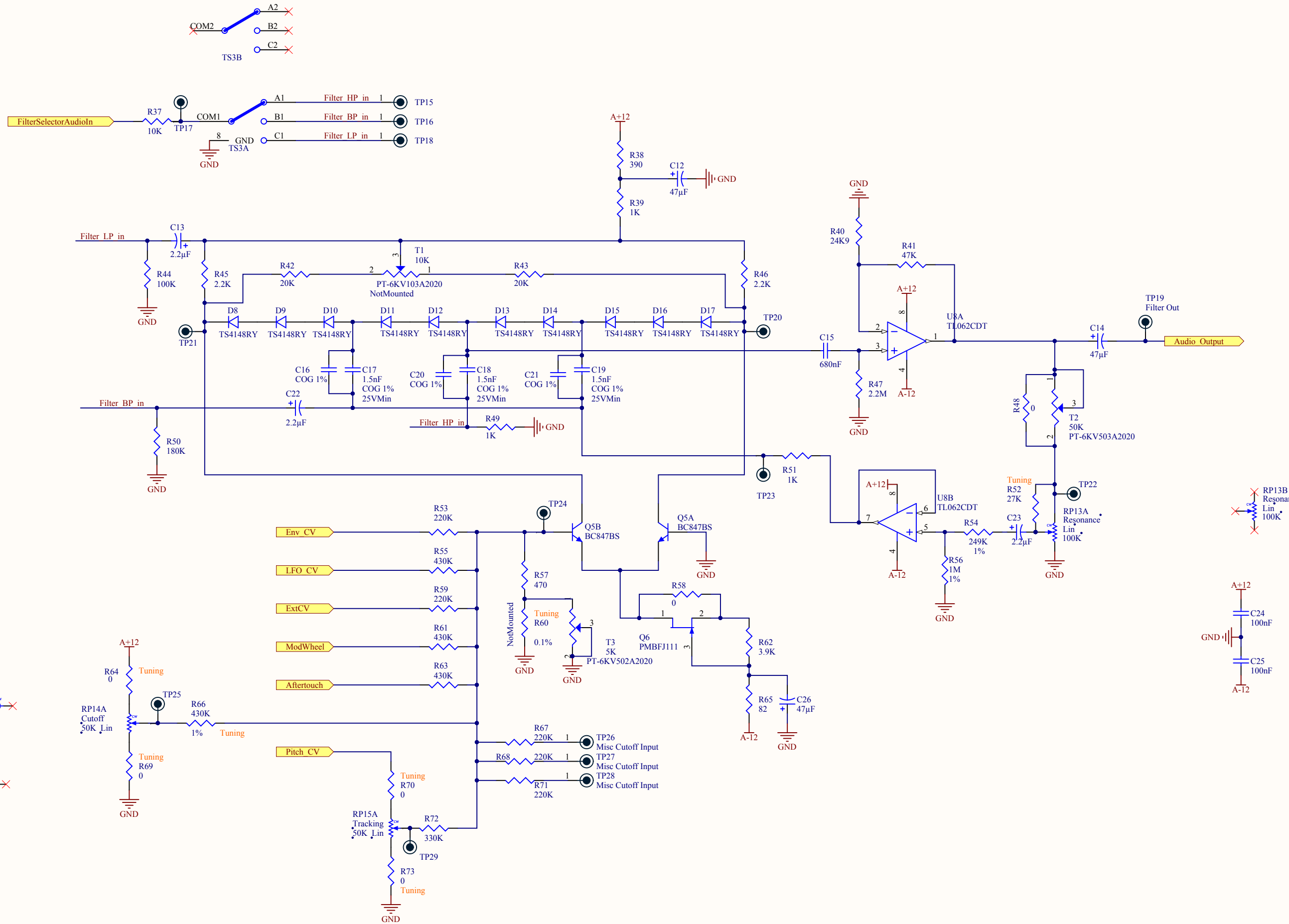
Envelope



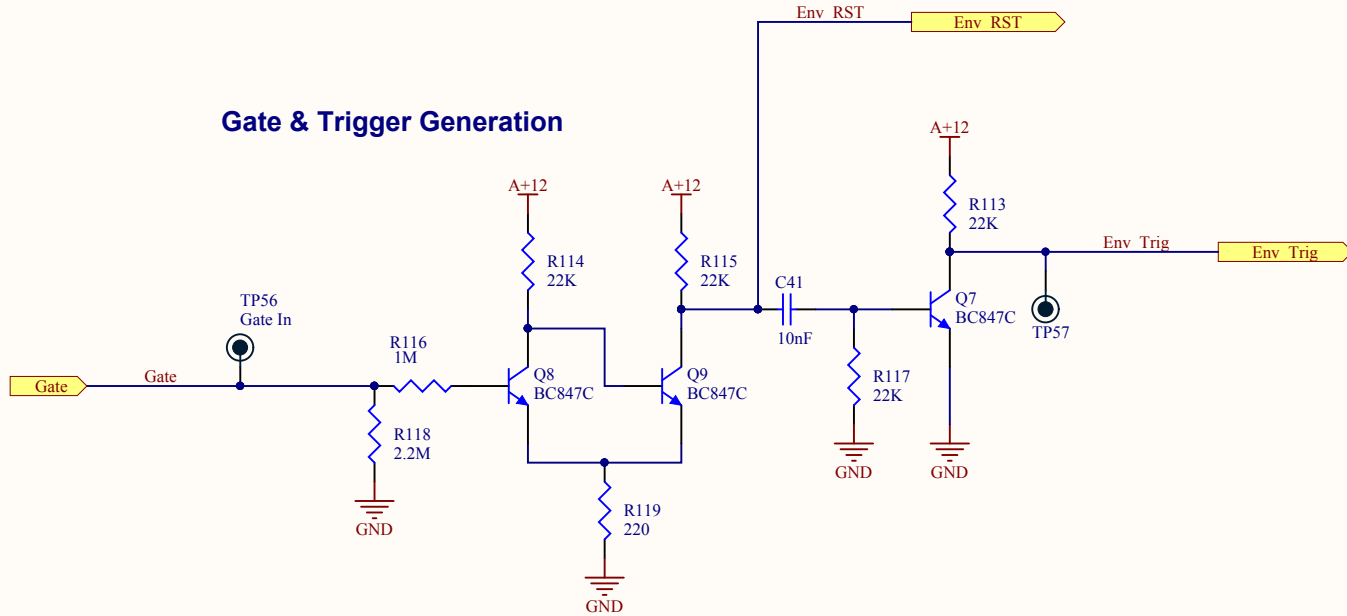
Details of this schematic are subject to change without notice.
 Any modification to any MiniBrite will immediately void its warranty.
 Arturia or any of its affiliates will not accept responsibility for any damages, personal loss or injury that may result from any modification

Title Envelope1.SchDoc			Arturia 30, chemin du vieux chene 38240 Meylan FRANCE
Size: A4	Number: 9	Revision: B	
Date: 03/09/2015	Time: 16:37:16	Sheet 9 of 13	
File: G:\MicroBrite_publicRelease\Modules\Analog\Envelope1.SchDoc			

ARTURIA



Gate & Trigger Generation

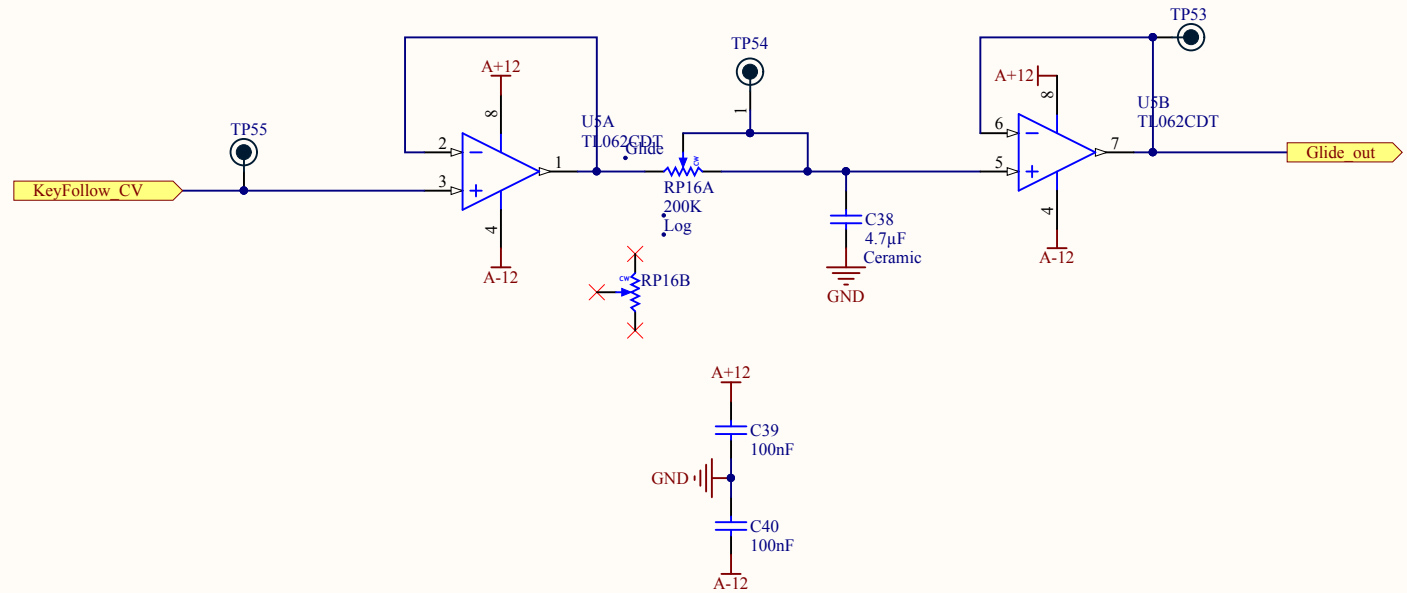


Details of this schematic are subject to change without notice.
 Any modification to any MiniBrute will immediately void its warranty.
 Arturia or any of its affiliates will not accept responsibility for any damages, personal loss or injury that may result from any modification

Title GateToTrig.SchDoc		
Size: A4	Number: 11	Revision: B
Date: 03/09/2015	Time: 16:37:16	Sheet 11 of 13
File: G:\MicroBrute_publicRelease\Modules\Analog\GateToTrig.SchDoc		

Arturia
 30, chemin du vieux chene
 38240 Meylan
 FRANCE

ARTURIA



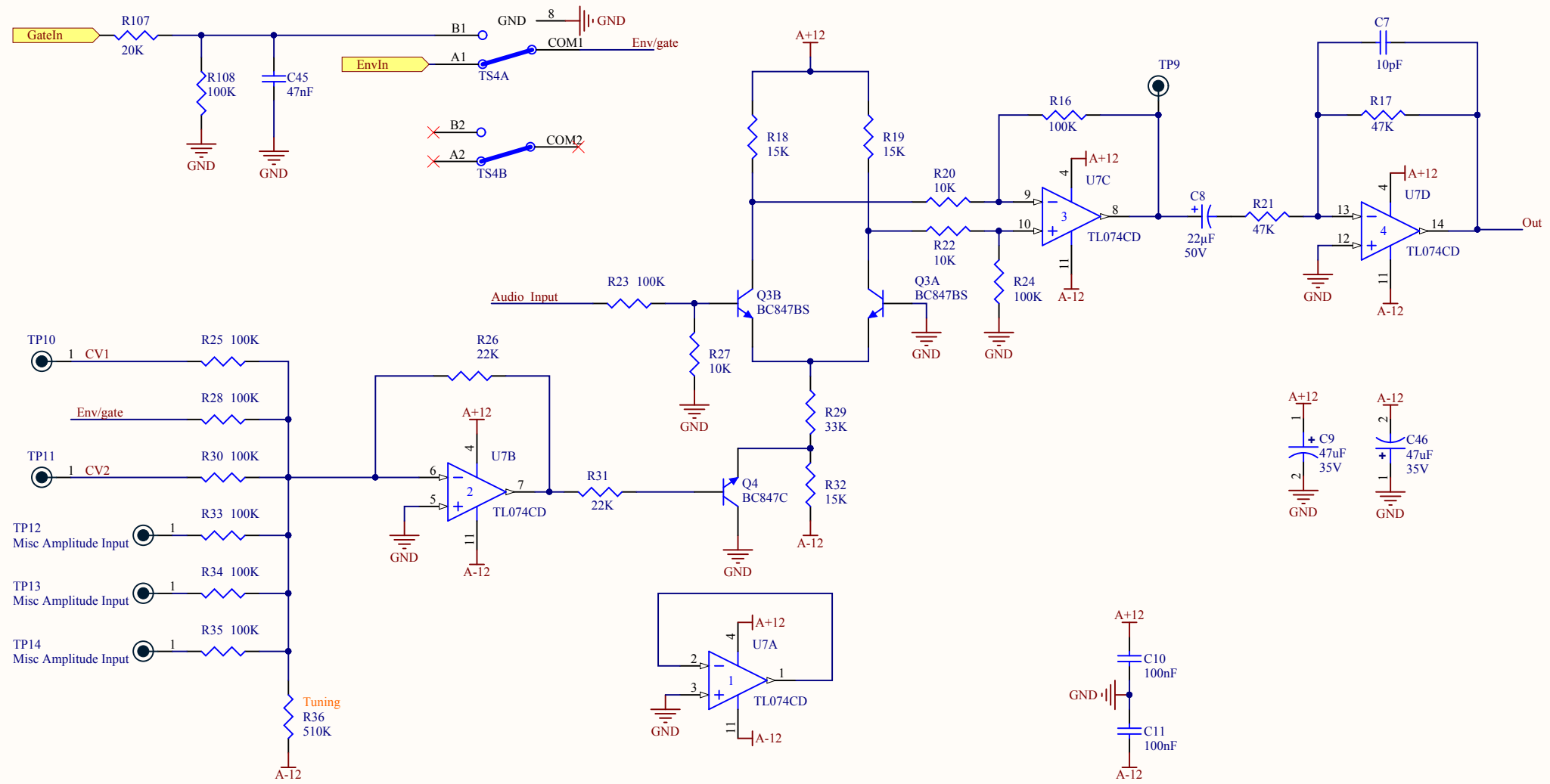
Details of this schematic are subject to change without notice.
 Any modification to any MiniBrute will immediately void its warranty.
 Arturia or any of its affiliates will not accept responsibility for any damages, personal loss or injury that may result from any modification

Title Glide.SchDoc		
Size: A4	Number: 12	Revision: B
Date: 03/09/2015	Time: 16:37:16	Sheet 12 of 13
File: G:\MicroBrute_publicRelease\Modules\Analog\Glide.SchDoc		

Arturia
 30, chemin du vieux chene
 38240 Meylan
 FRANCE

ARTURIA

Inputs	Controls	Outputs
AudioIn → Audio_Input		Audio Out → Out
Mod CV1 → CV1		
Mod CV2 → CV2		

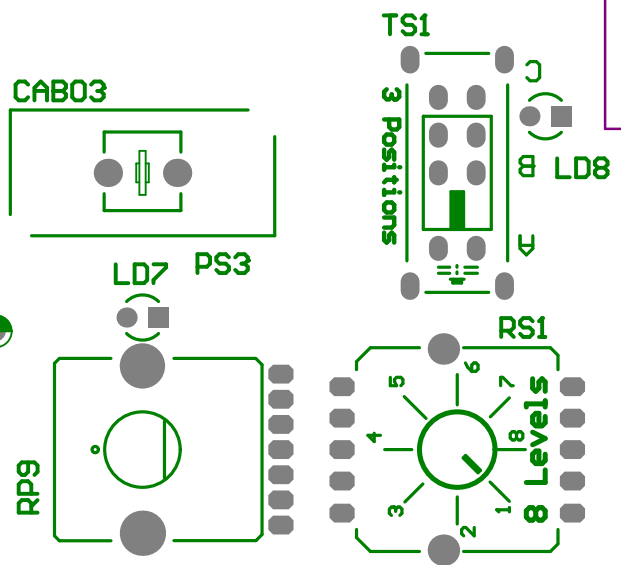


Details of this schematic are subject to change without notice.
 Any modification to any MiniBrute will immediately void its warranty.
 Arturia or any of its affiliates will not accept responsibility for any damages, personal loss or injury that may result from any modification.

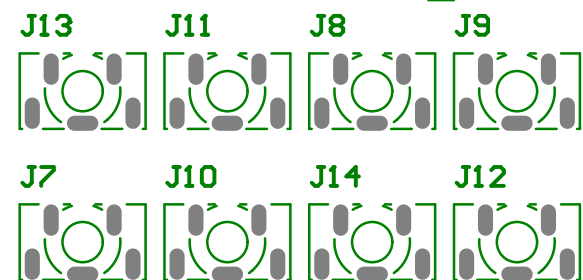
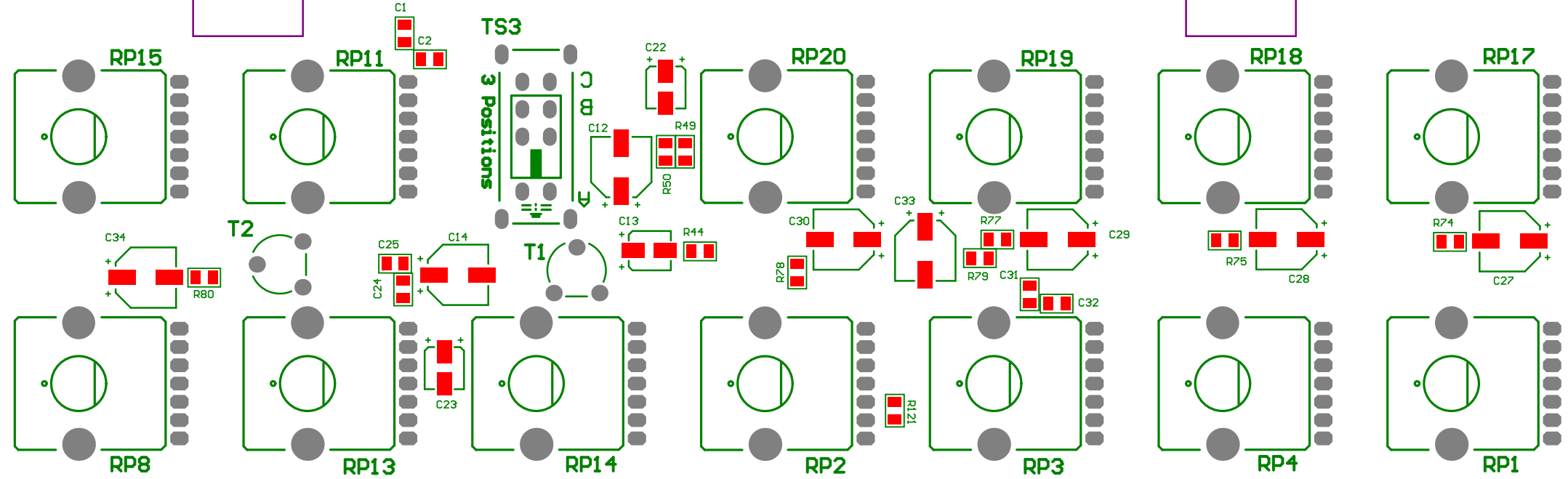
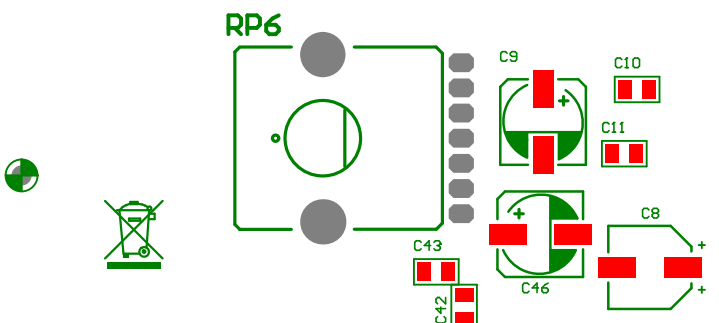
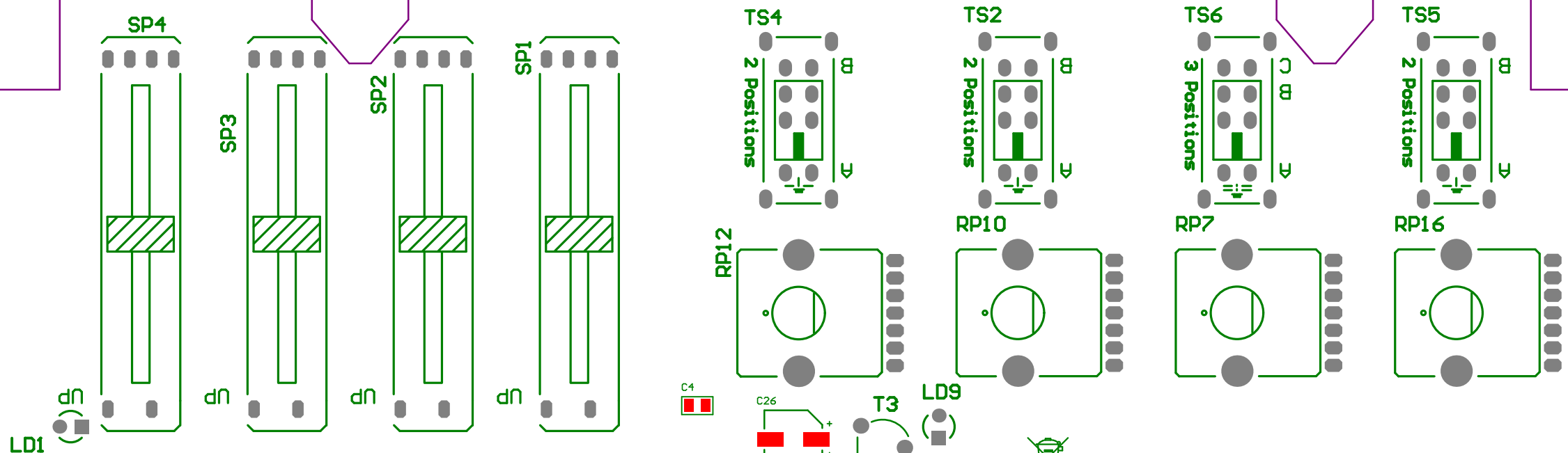
Title VCA.SchDoc		
Size: A3	Number: 13	Revision: B
Date: 03/09/2015	Time: 16:37:16	Sheet 13 of 13
File: G:\MicroBrute_publicRelease\Modules\Analog\VCA.SchDoc		

Arturia
 30, chemin du vieux chene
 38240 Meylan
 FRANCE

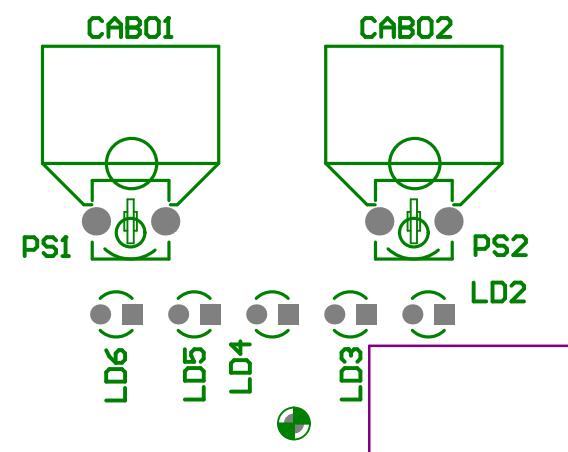
ARTURIA



MicroBrute : Analog Board
CU17001
ARTURIA



Arturia
MUSICAL INSTRUMENTS



Arturia

MUSICAL INSTRUMENTS

MicroBrute : Analog Board
CU17001
ARTURIA
VERSION B1

