

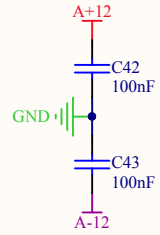
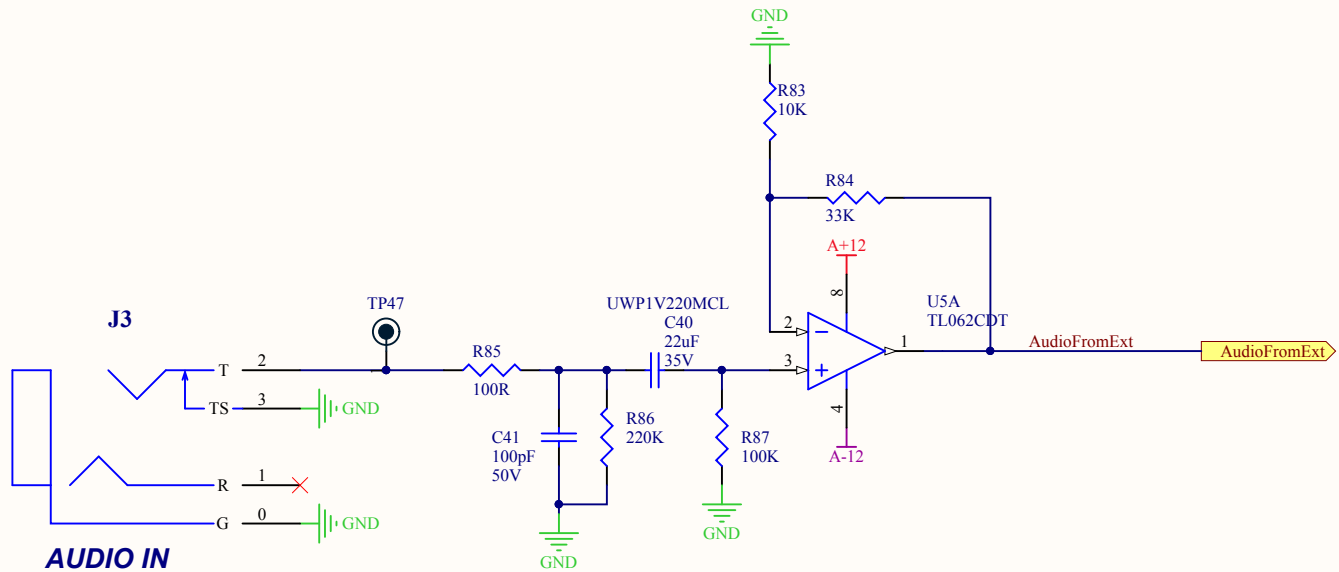
Details of this schematic are subject to change without notice.
 Any modification to any MiniBrute will immediately void its warranty.
 Arturia or any of its affiliates will not accept responsibility for any damages, personal loss or injury that may result from any modification.

Title Digital.SchDoc		
Size: A3	Number: 1	Revision: B
Date: 03/09/2015	Time: 16:34:52	Sheet 1 of 24
File: G:\MicroBrute publicRelease\Digital.SchDoc		

Arturia
 30, chemin du vieux chene
 38240 Meylan
 FRANCE

ARTURIA



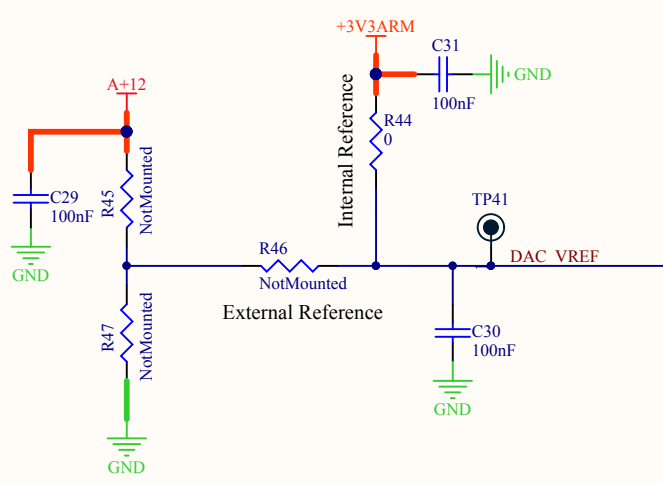
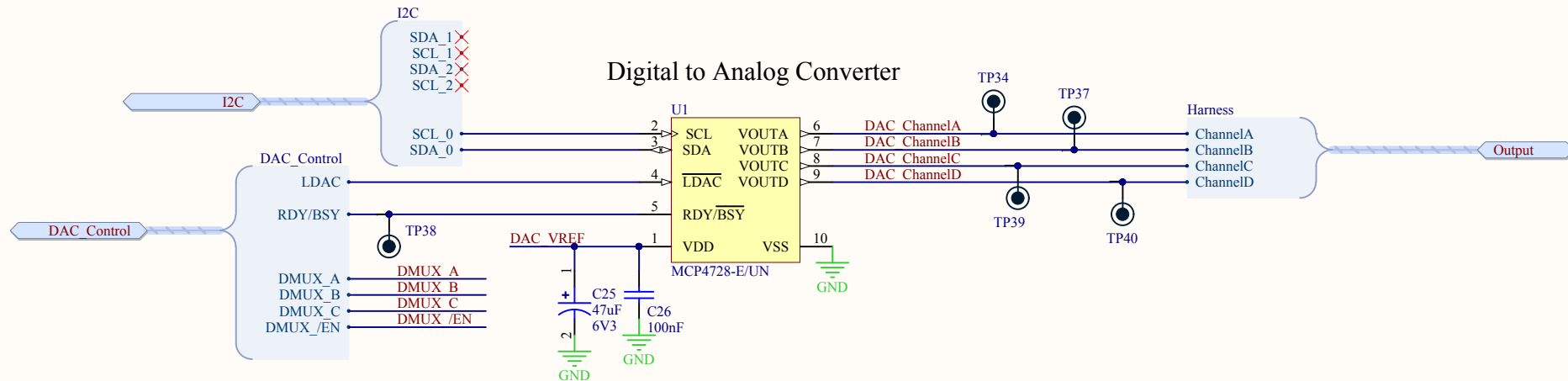


Details of this schematic are subject to change without notice.
 Any modification to any MiniBrute will immediately void its warranty.
 Arturia or any of its affiliates will not accept responsibility for any damages, personal loss or injury that may result from any modification

Title AudioIn.SchDoc		
Size: A4	Number: 2	Revision: B
Date: 03/09/2015	Time: 16:34:52	Sheet 2 of 24
File: G:\MicroBrute_publicRelease\AudioIn.SchDoc		

Arturia
 30, chemin du vieux chene
 38240 Meylan
 FRANCE

ARTURIA

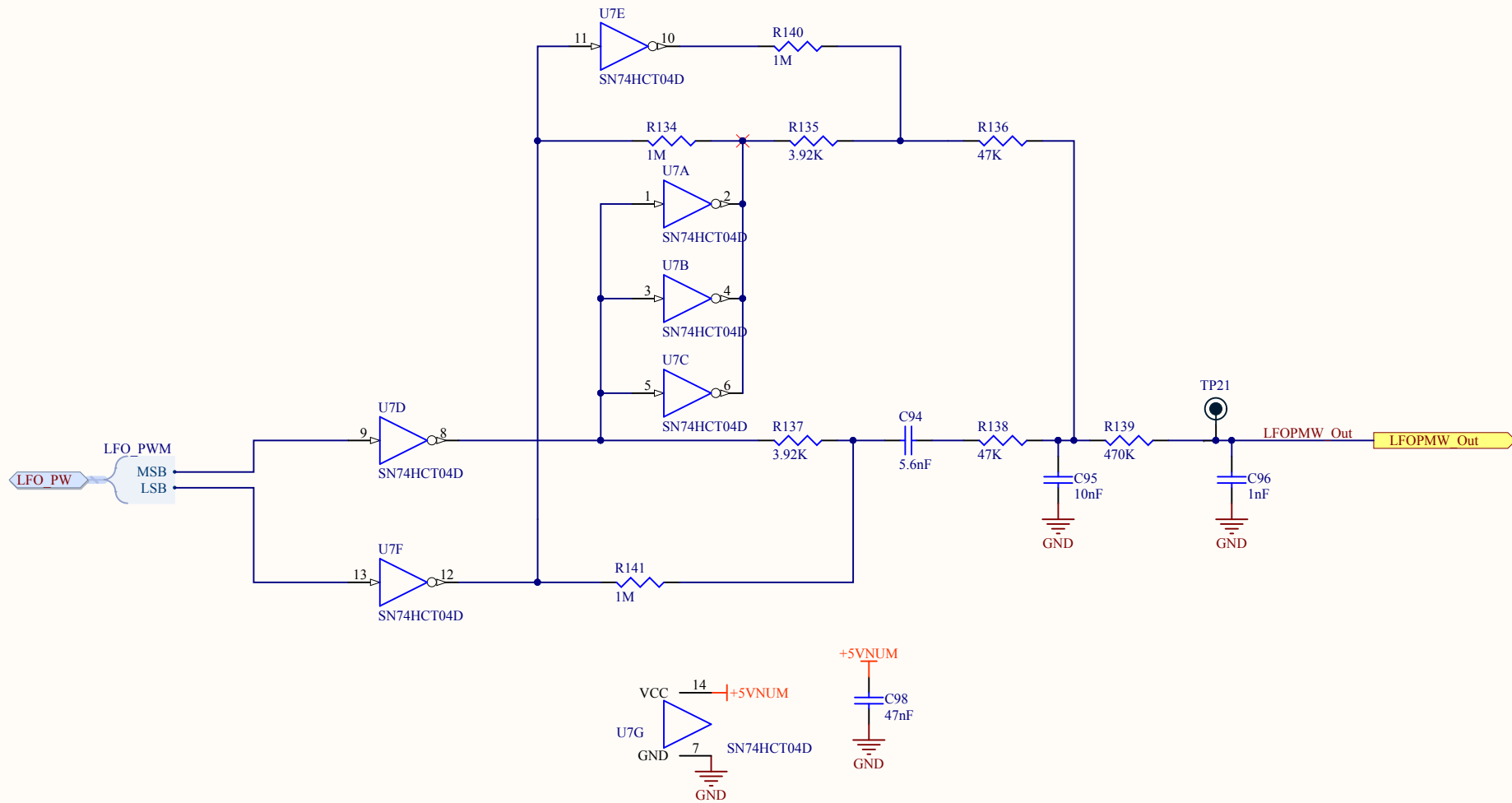


Details of this schematic are subject to change without notice.
 Any modification to any MiniBrute will immediately void its warranty.
 Arturia or any of its affiliates will not accept responsibility for any damages, personal loss or injury that may result from any modification

Title DAC.SchDoc		
Size: A4	Number: 3	Revision: B
Date: 03/09/2015	Time: 16:34:52	Sheet 3 of 24
File: G:\MicroBrute_publicRelease\DAC.SchDoc		

Arturia
 30, chemin du vieux chene
 38240 Meylan
 FRANCE

ARTURIA

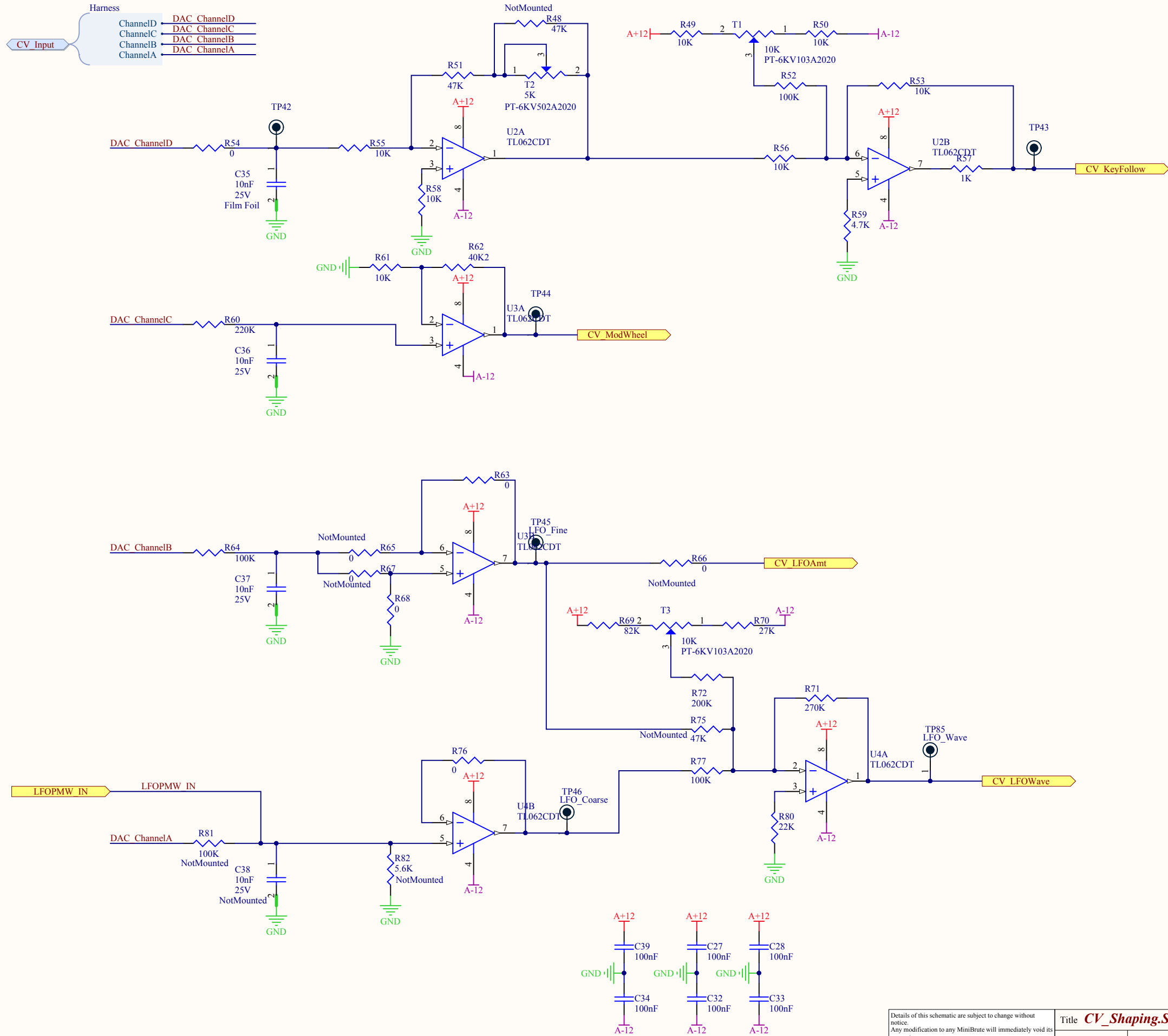


Details of this schematic are subject to change without notice.
 Any modification to any MiniBrute will immediately void its warranty.
 Arturia or any of its affiliates will not accept responsibility for any damages, personal loss or injury that may result from any modification

Title LFO_PW.SchDoc		
Size: A4	Number: 4	Revision: B
Date: 03/09/2015	Time: 16:34:52	Sheet 4 of 24
File: G:\MicroBrute_publicRelease\LFO_PW.SchDoc		

Arturia
 30, chemin du vieux chene
 38240 Meylan
 FRANCE

ARTURIA

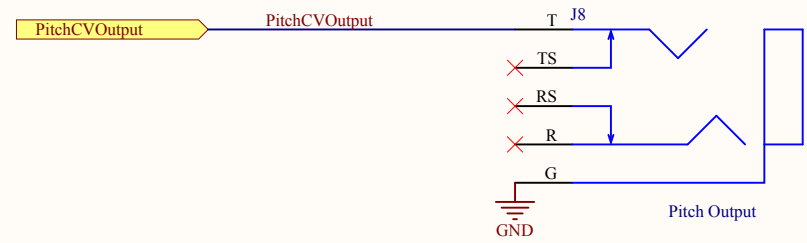
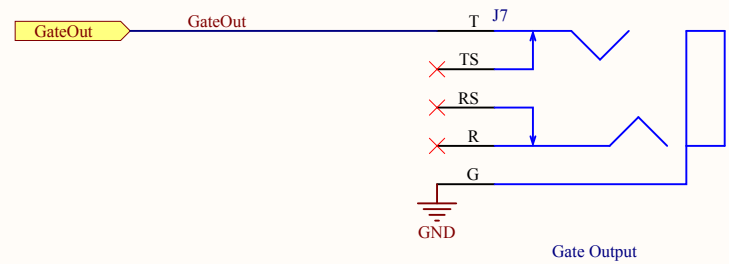
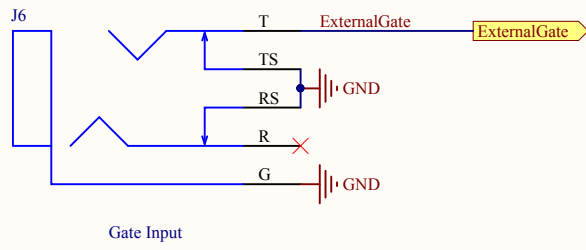


Details of this schematic are subject to change without notice. Any modification to any MiniBrute will immediately void its warranty. Arturia or any of its affiliates will not accept responsibility for any damages, personal loss or injury that may result from any modification.

Title CV_Shaping.SchDoc		
Size: A3	Number: 5	Revision: B
Date: 03/09/2015	Time: 16:34:52	Sheet 5 of 24
File: G:\MicroBrute_publicRelease\CV_Shaping.SchDoc		

Arturia
30, chemin du vieux chene
38240 Meylan
FRANCE

ARTURIA

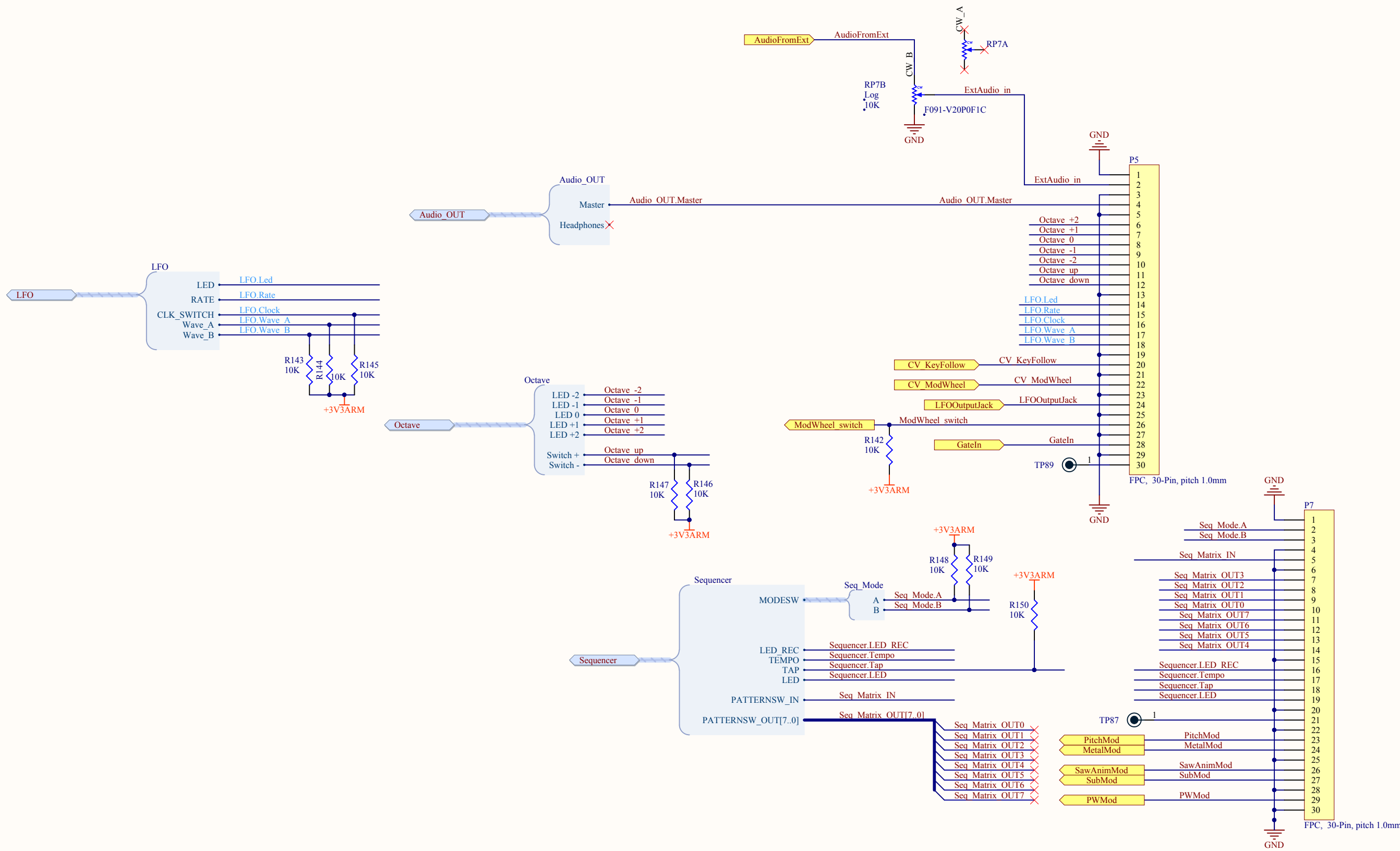


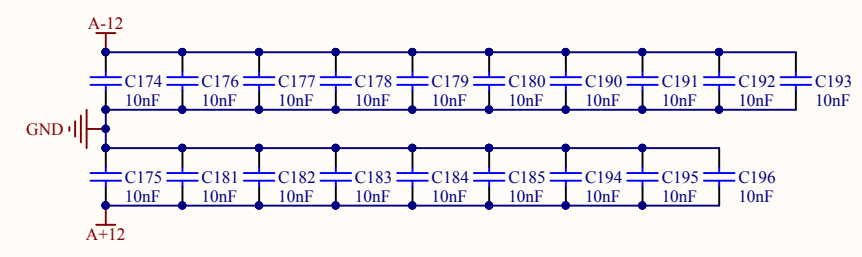
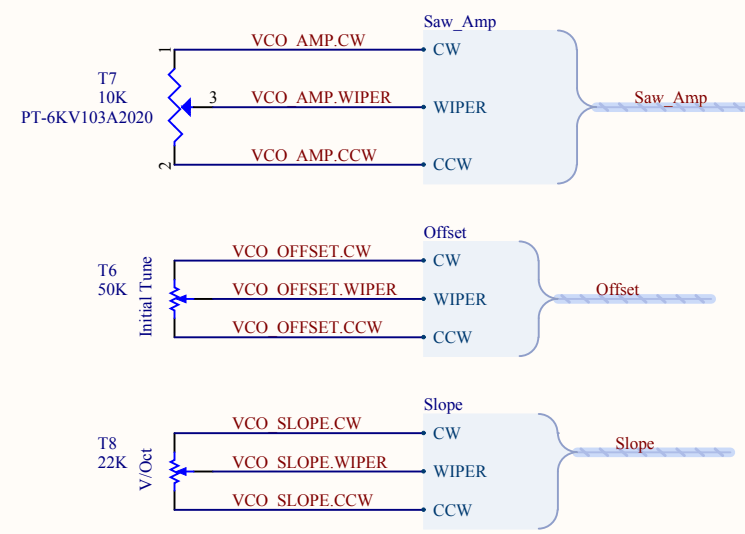
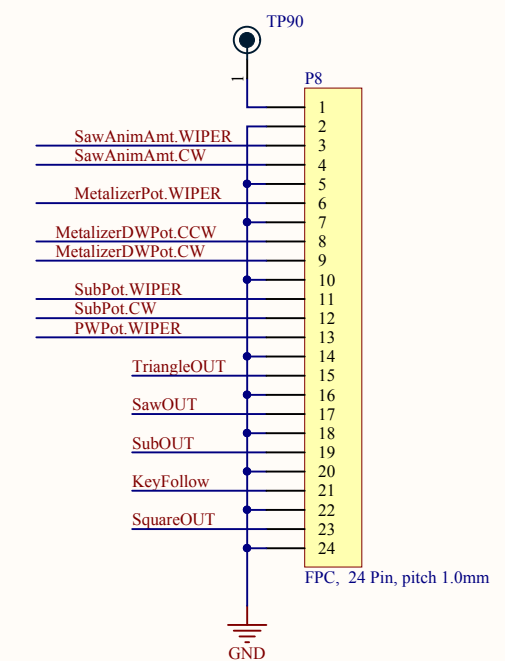
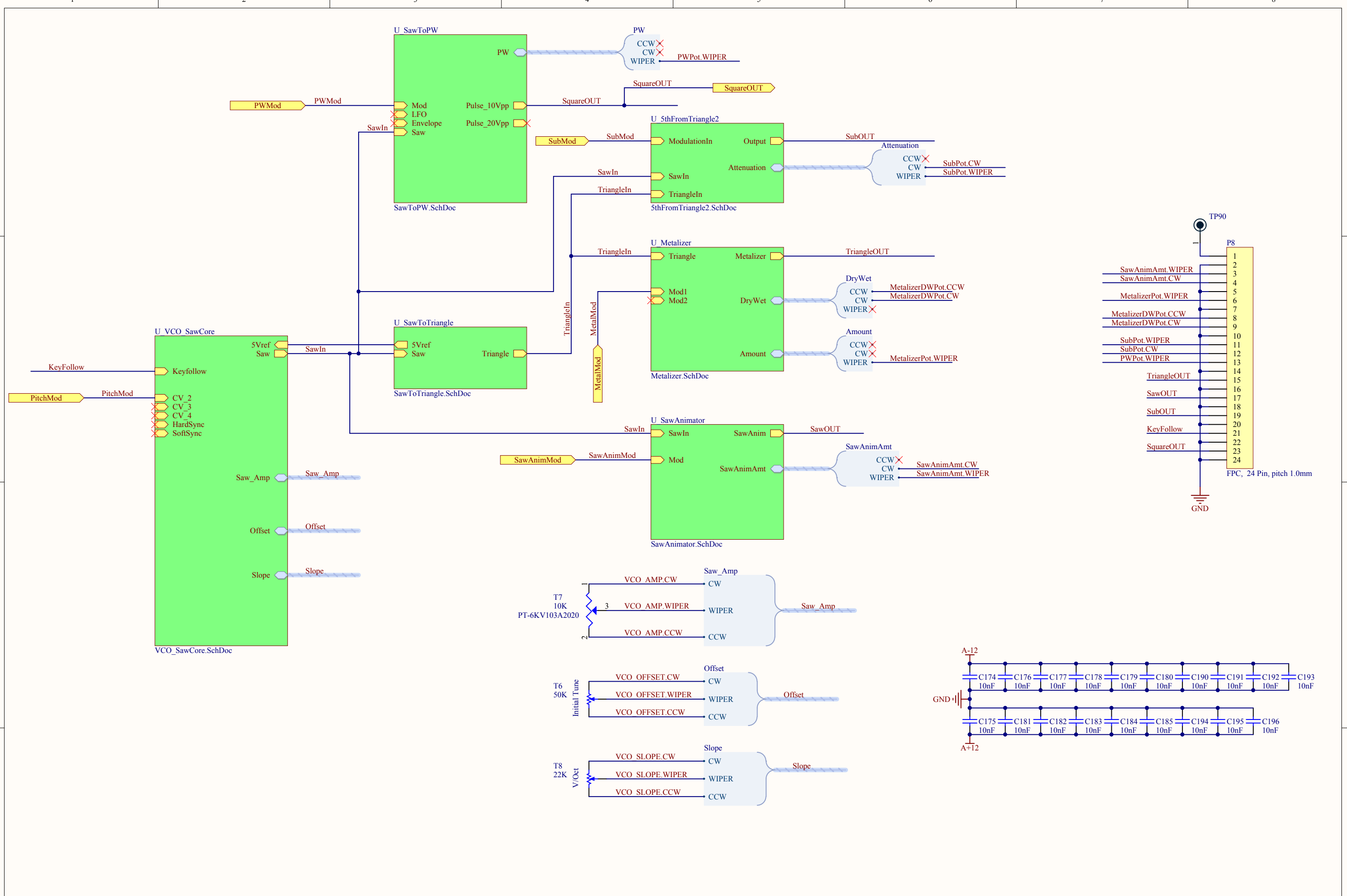
Details of this schematic are subject to change without notice.
 Any modification to any MiniBrute will immediately void its warranty.
 Arturia or any of its affiliates will not accept responsibility for any damages, personal loss or injury that may result from any modification

Title RearCVGate.SchDoc		
Size: A4	Number: 6	Revision: B
Date: 03/09/2015	Time: 16:34:52	Sheet 6 of 24
File: G:\MicroBrute_publicRelease\RearCVGate.SchDoc		

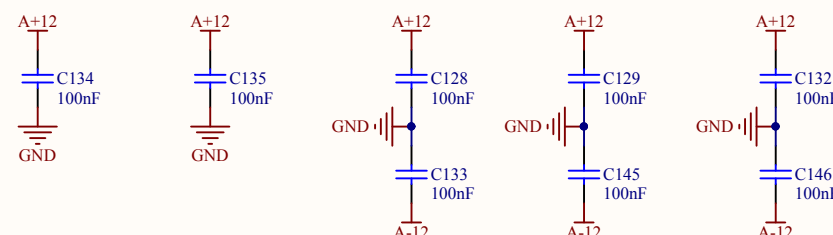
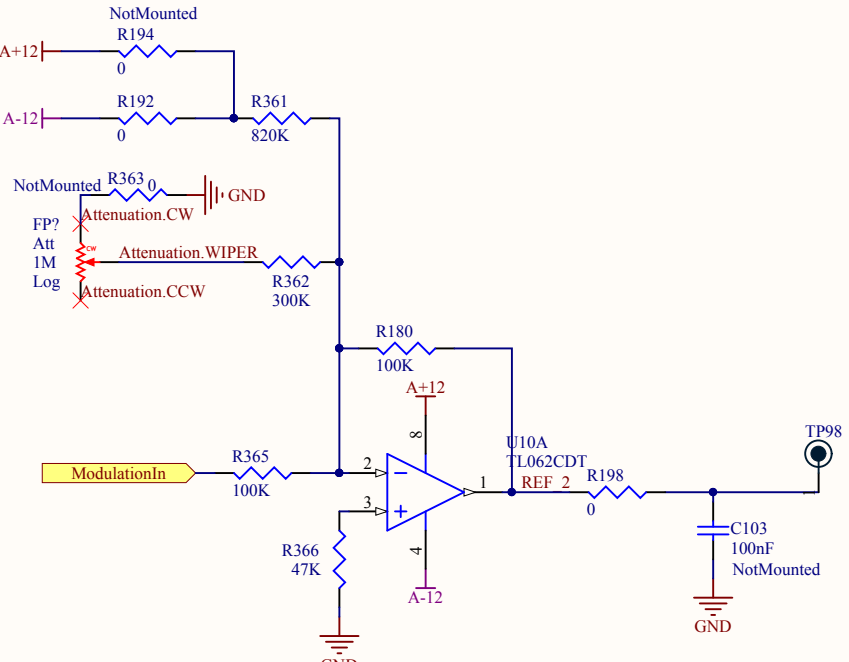
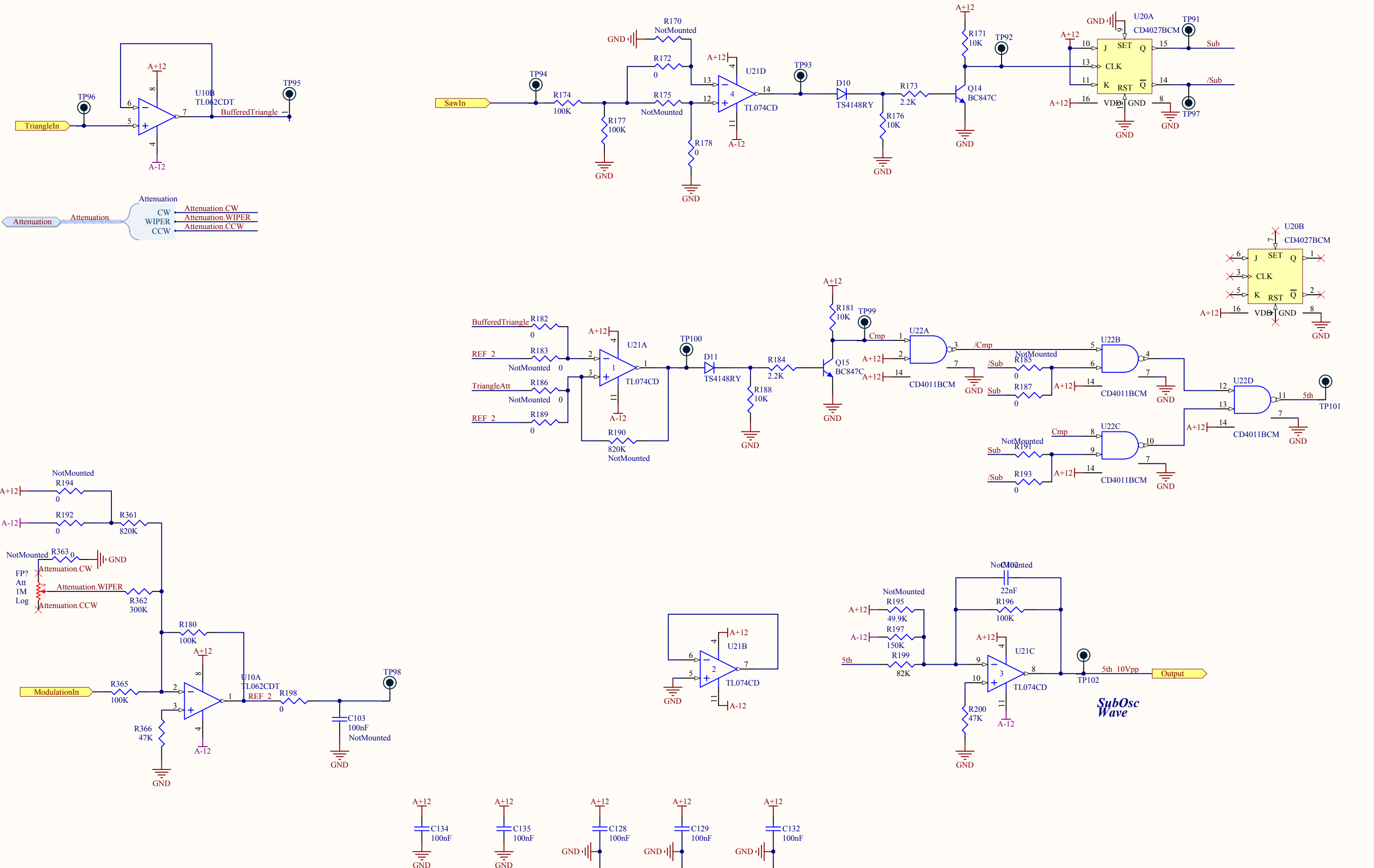
Arturia
 30, chemin du vieux chene
 38240 Meylan
 FRANCE

ARTURIA





Saw to Sub



A

A

B

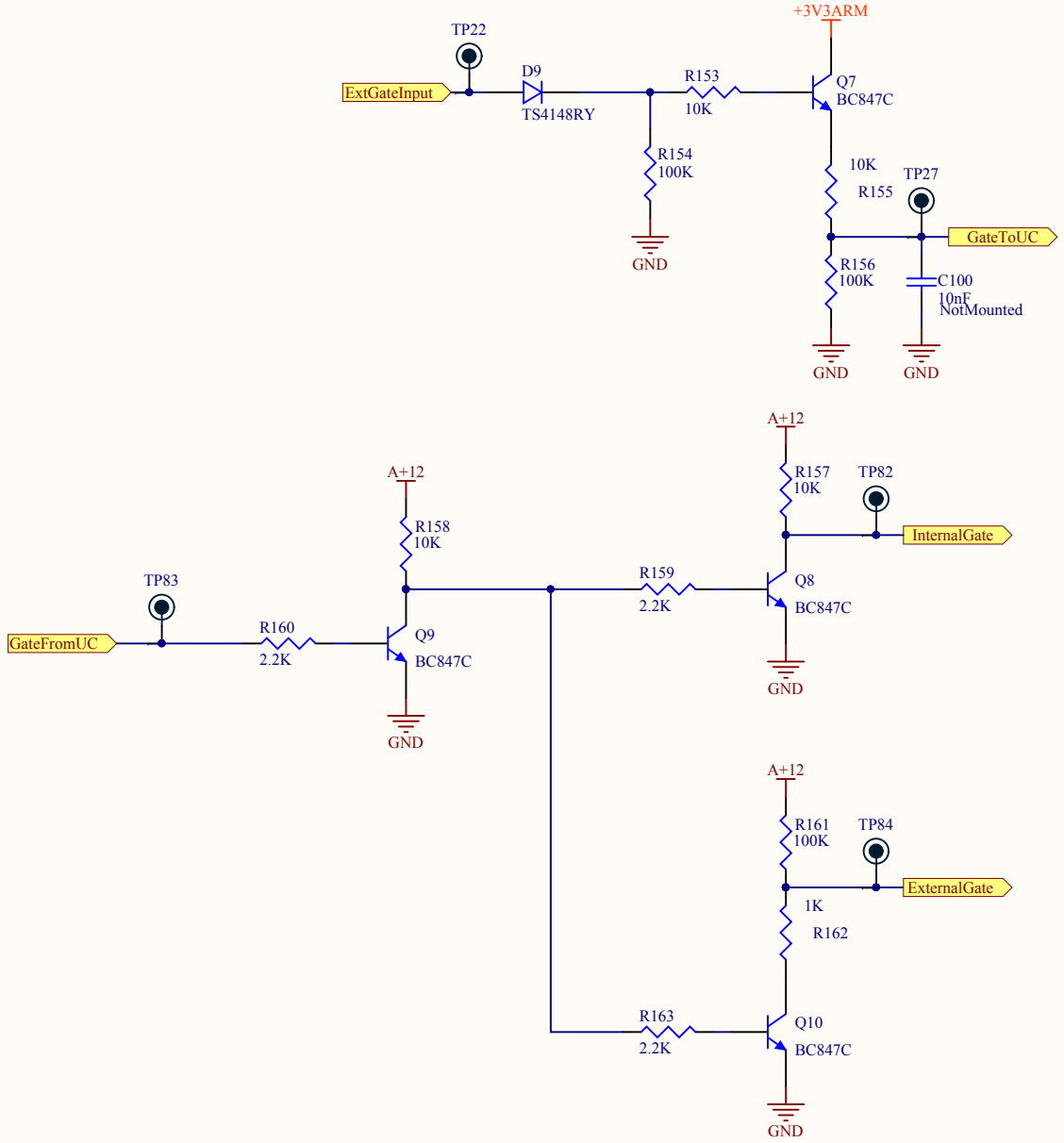
B

C

C

D

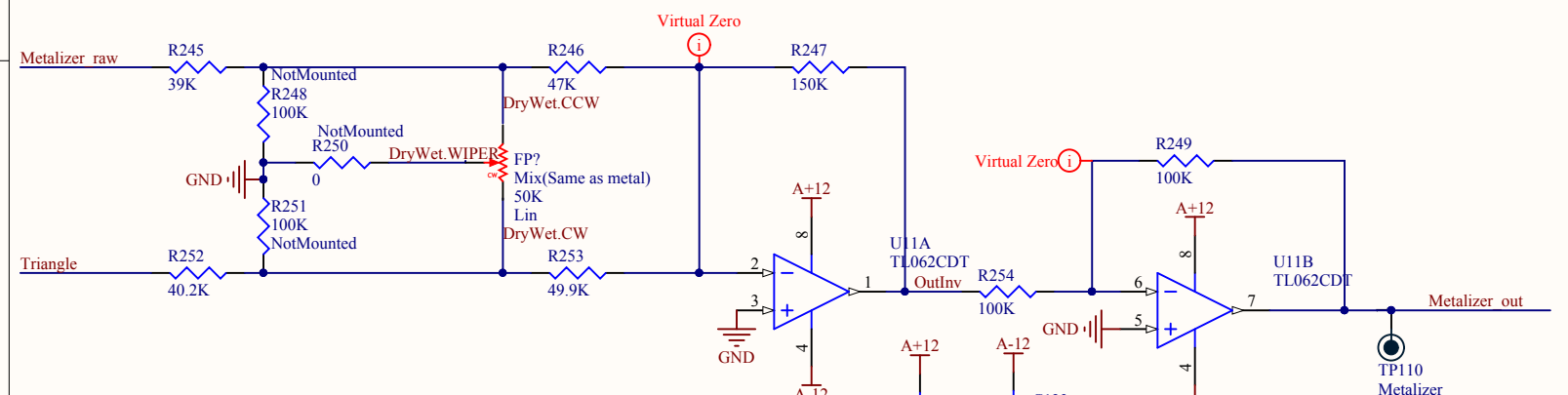
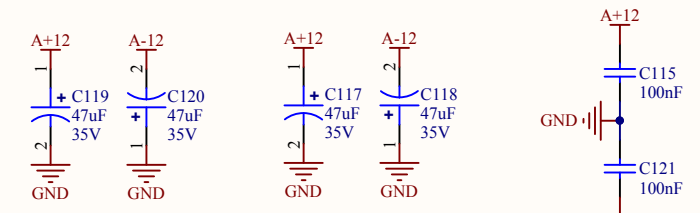
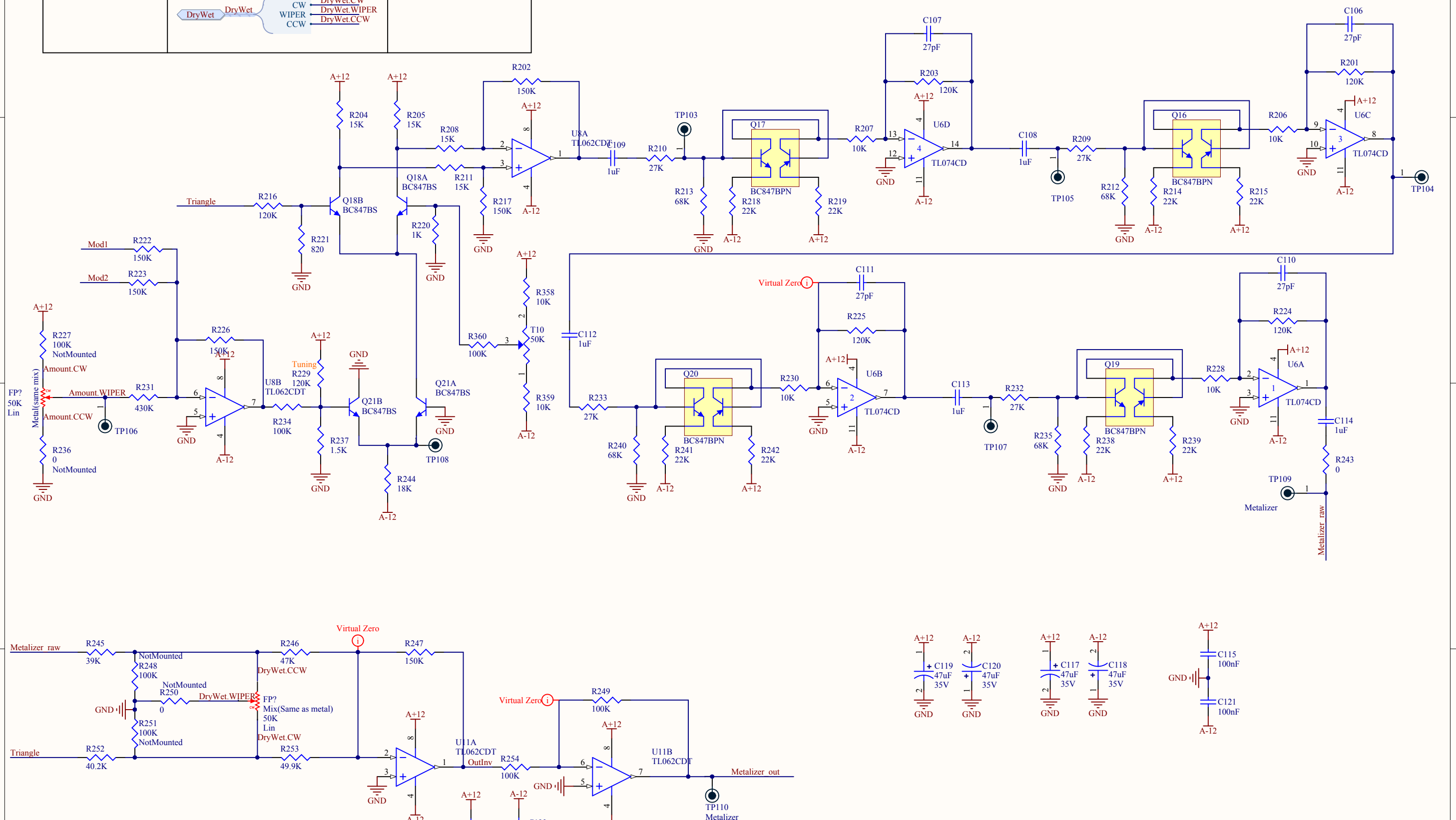
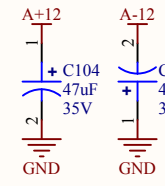
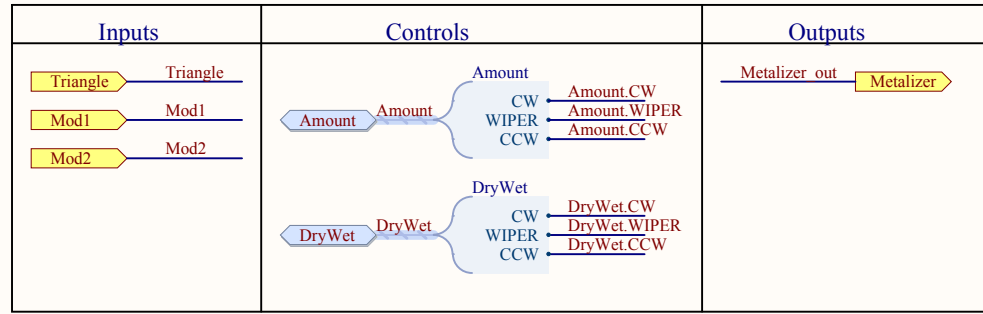
D

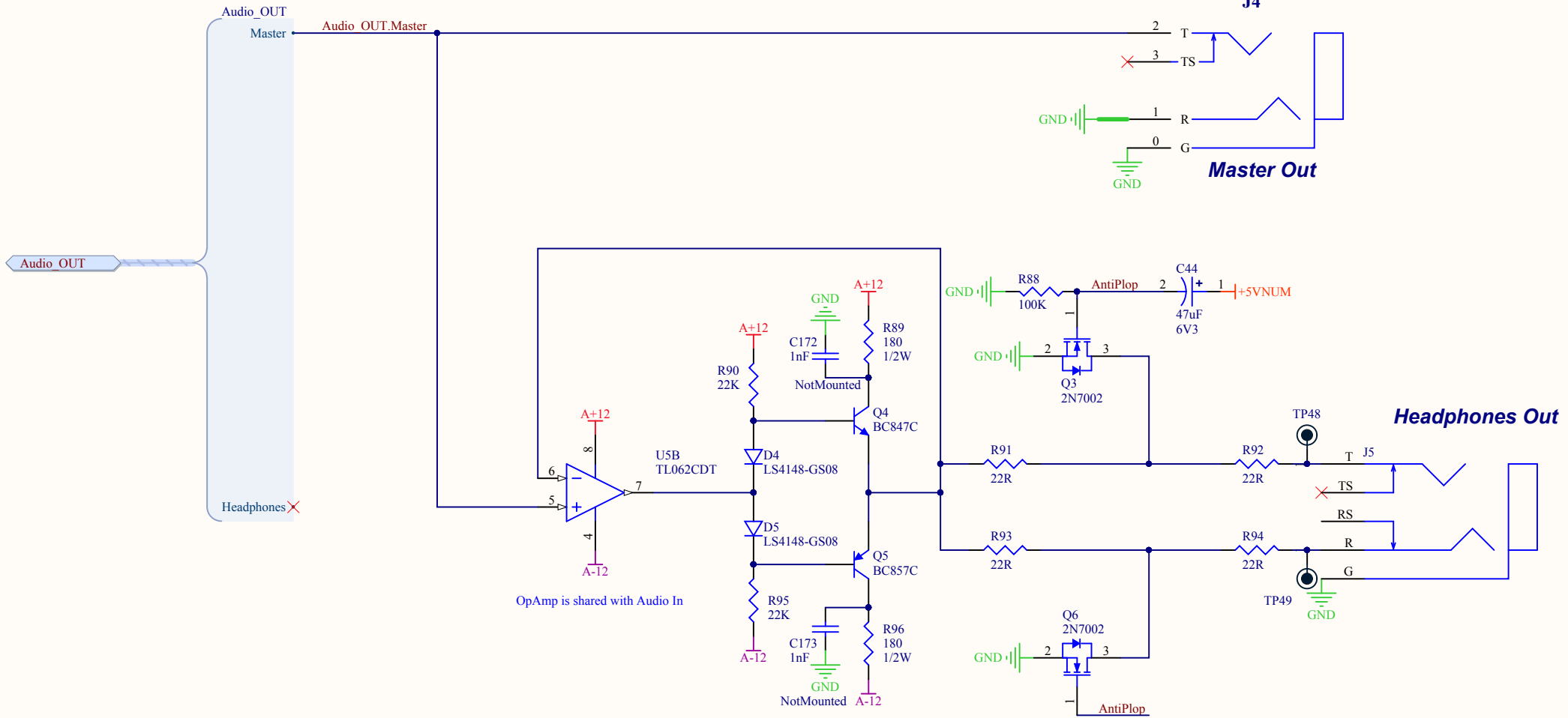


Details of this schematic are subject to change without notice.
 Any modification to any MiniBrute will immediately void its warranty.
 Arturia or any of its affiliates will not accept responsibility for any damages, personal loss or injury that may result from any modification

Title GateShaping.SchDoc			Arturia 30, chemin du vieux chene 38240 Meylan FRANCE
Size: A4	Number: 10	Revision: B	
Date: 03/09/2015	Time: 16:34:53	Sheet 10 of 24	
File: G:\MicroBrute_publicRelease\Modules\Analog\GateShaping.SchDoc			







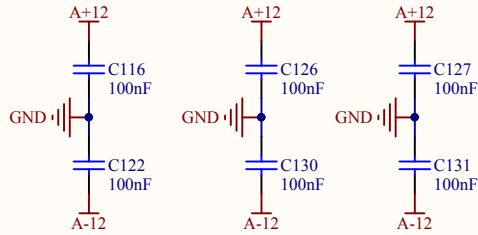
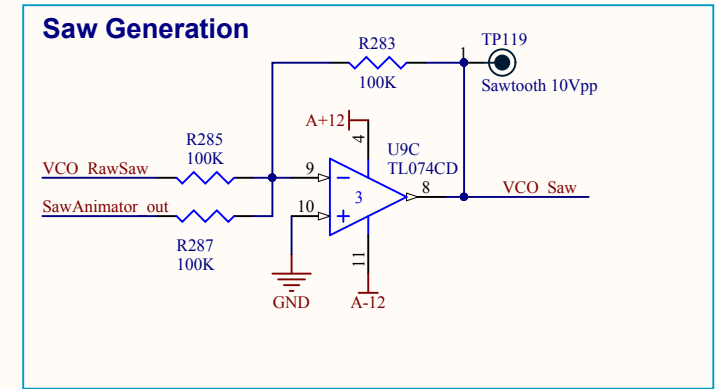
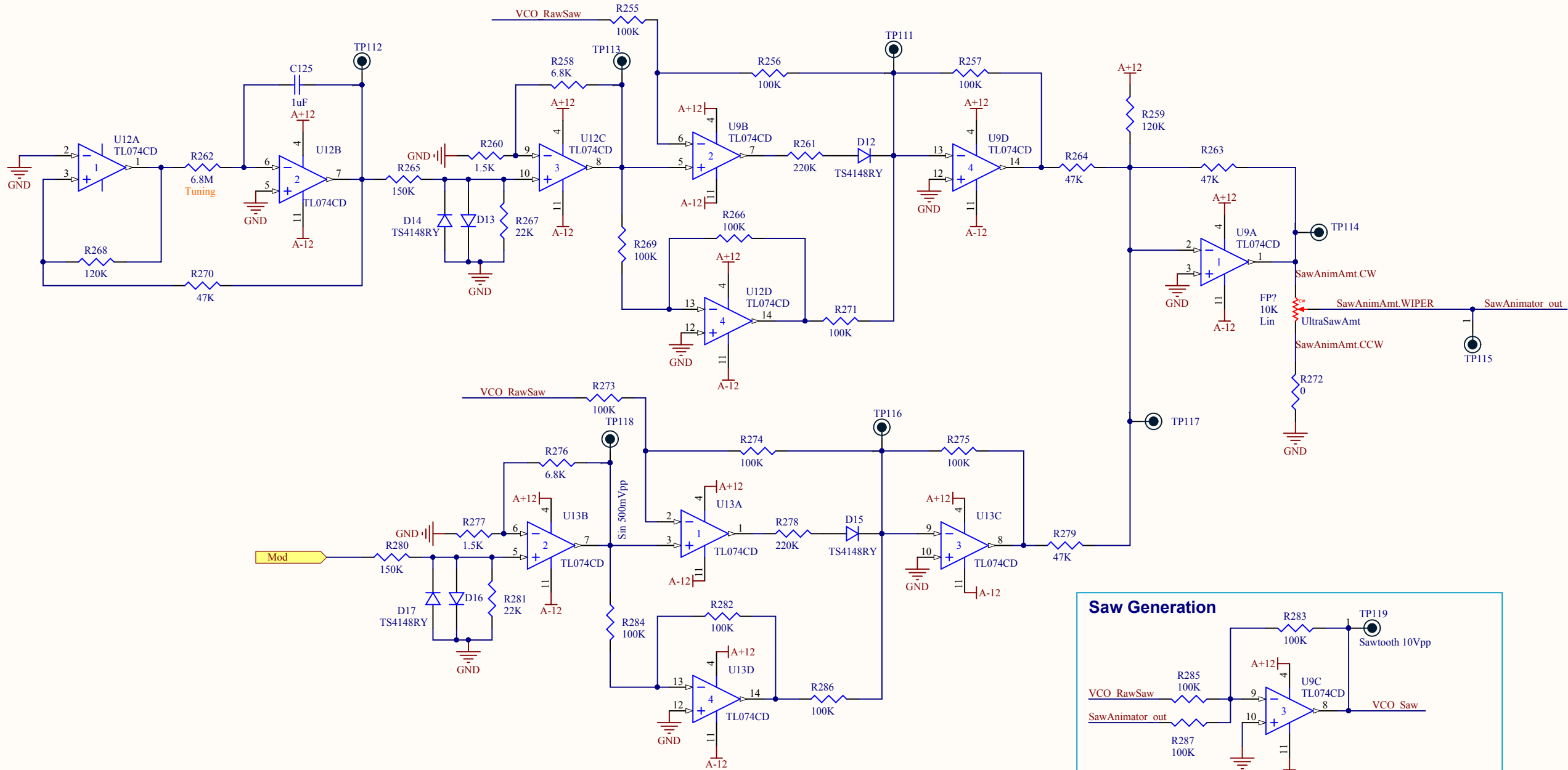
Details of this schematic are subject to change without notice.
 Any modification to any MiniBrute will immediately void its warranty.
 Arturia or any of its affiliates will not accept responsibility for any damages, personal loss or injury that may result from any modification

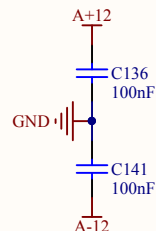
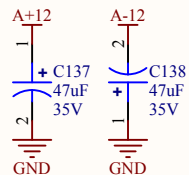
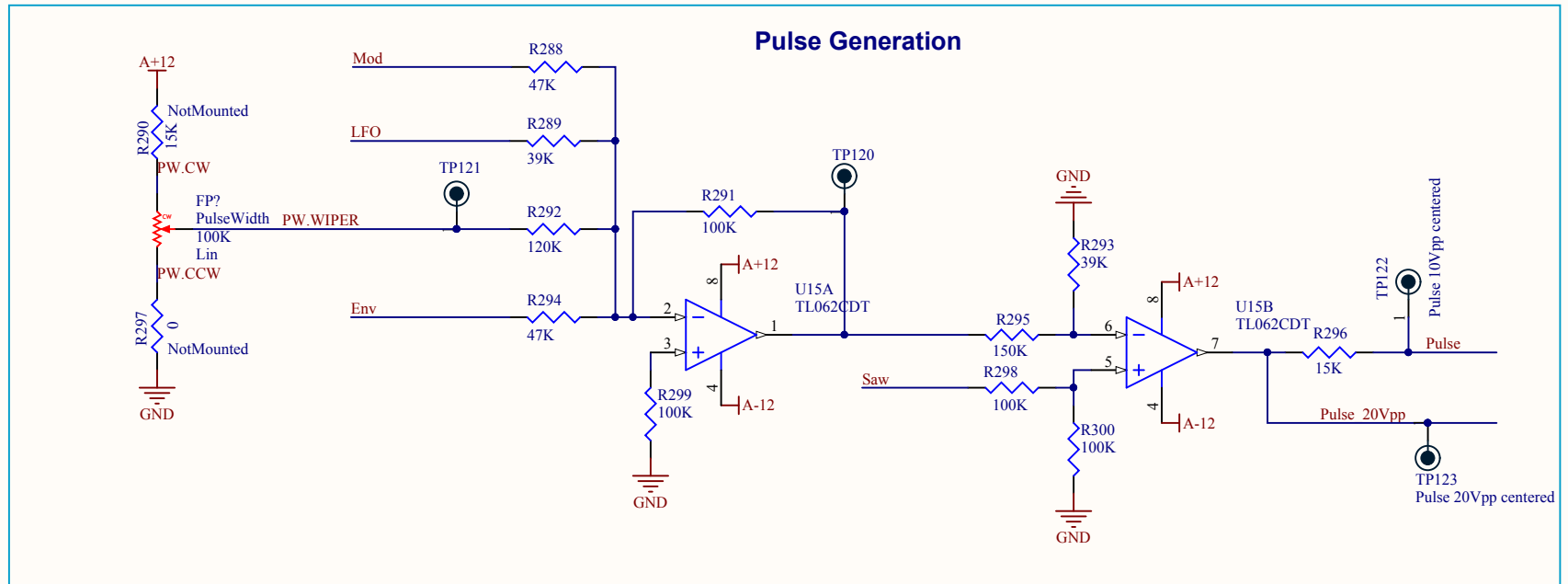
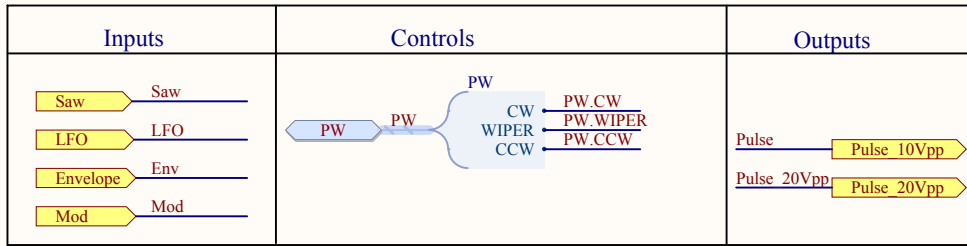
Title OutputStage.SchDoc		
Size: A4	Number: 12	Revision: B
Date: 03/09/2015	Time: 16:34:53	Sheet 12 of 24
File: G:\MicroBrute_publicRelease\Modules\Analog\OutputStage.SchDoc		

Arturia
 30, chemin du vieux chene
 38240 Meylan
 FRANCE

ARTURIA

Inputs	Controls	Outputs
SawIn → VCO RawSaw	SawAnimAmt → SawAnimAmt CCW → SawAnimAmt.CCW CW → SawAnimAmt.CW WIPER → SawAnimAmt.WIPER	SawAnim → VCO Saw





Details of this schematic are subject to change without notice.
 Any modification to any MiniBrute will immediately void its warranty.
 Arturia or any of its affiliates will not accept responsibility for any damages, personal loss or injury that may result from any modification

Title **SawToPW.SchDoc**

Size: A4 Number: 14 Revision: B

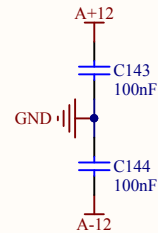
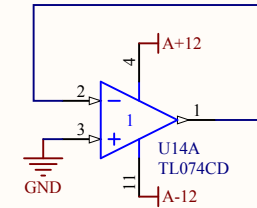
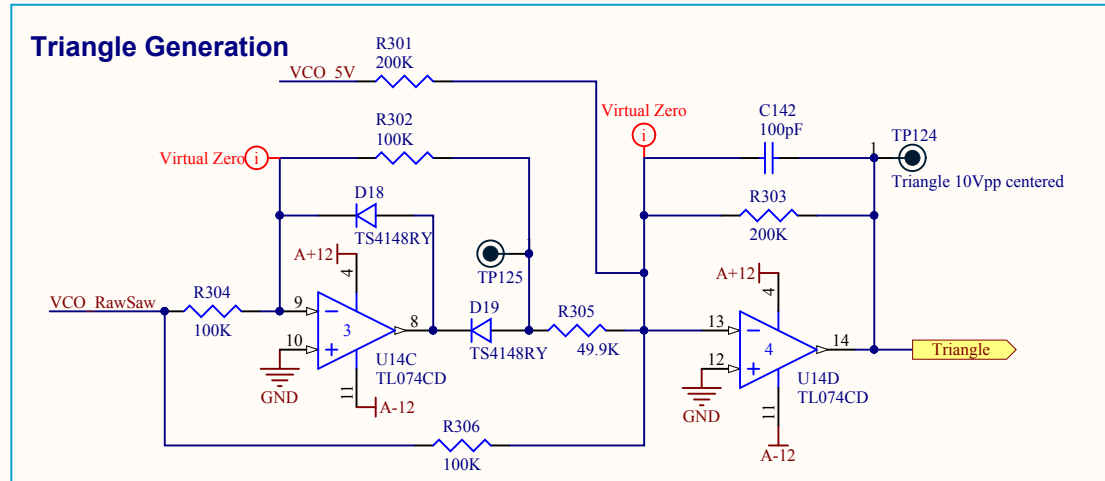
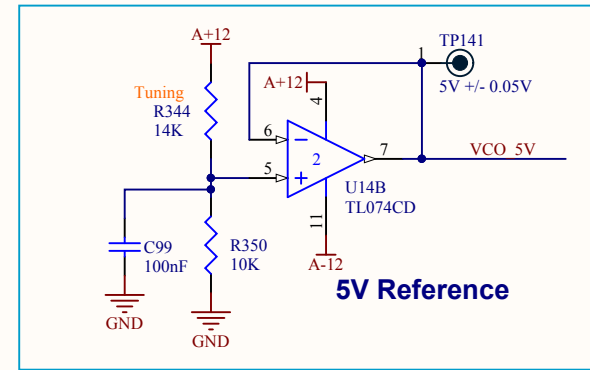
Date: 03/09/2015 Time: 16:34:53 Sheet 14 of 24

File: G:\MicroBrute_publicRelease\Modules\Analog\SawToPW.SchDoc

Arturia
 30, chemin du vieux chene
 38240 Meylan
 FRANCE

ARTURIA

Inputs	Controls	Outputs
Saw → VCO RawSaw		VCO 5V → 5Vref



Details of this schematic are subject to change without notice.
 Any modification to any MiniBrute will immediately void its warranty.
 Arturia or any of its affiliates will not accept responsibility for any damages, personal loss or injury that may result from any modification

Title **SawToTriangle.SchDoc**

Size: A4

Number: 15

Revision: B

Date: 03/09/2015

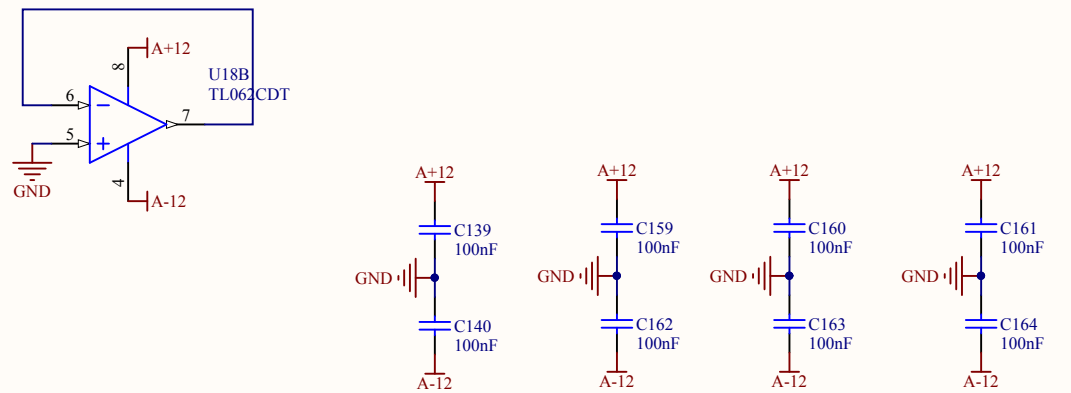
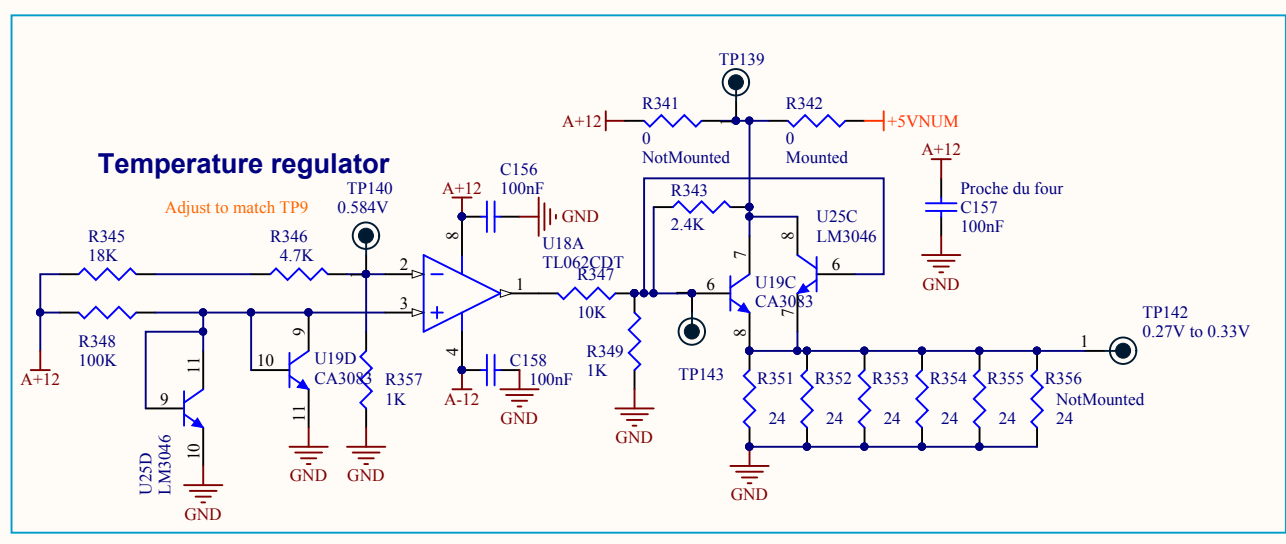
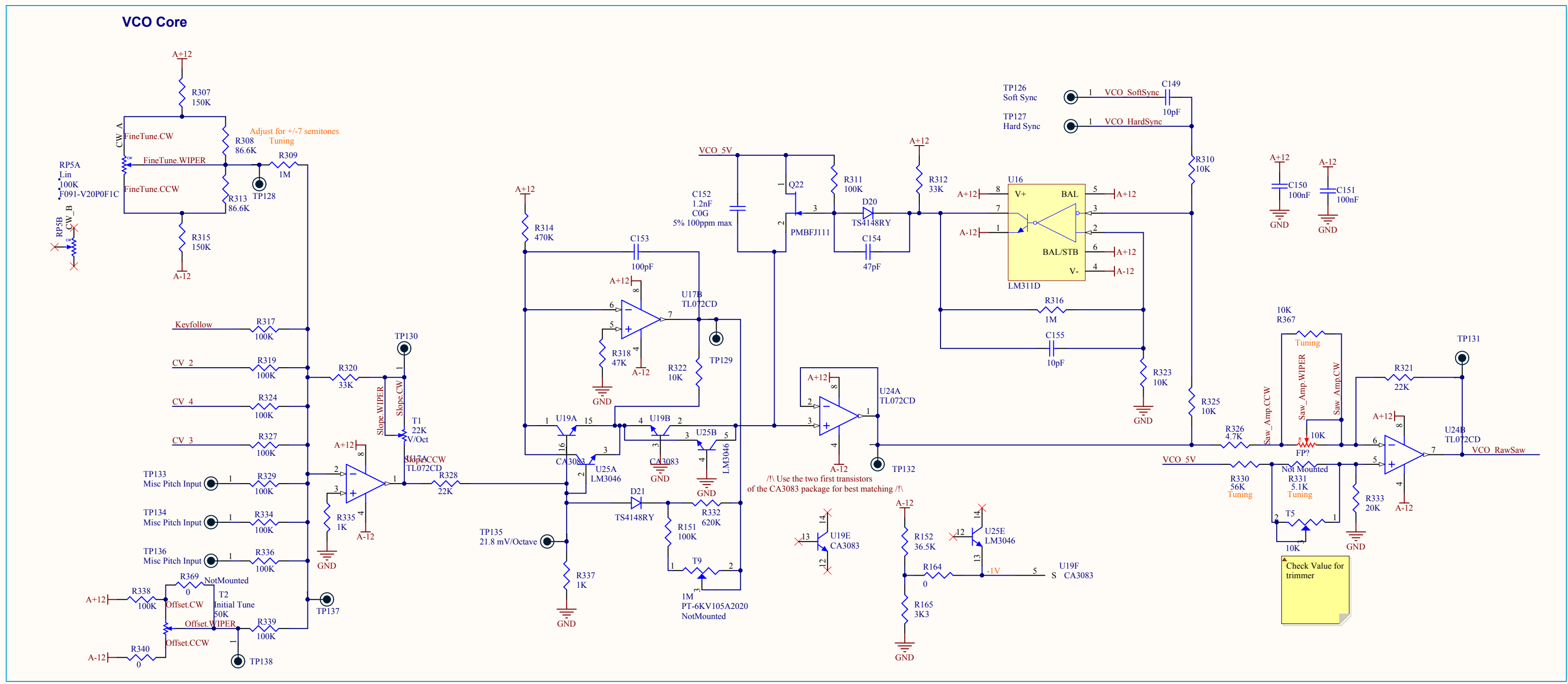
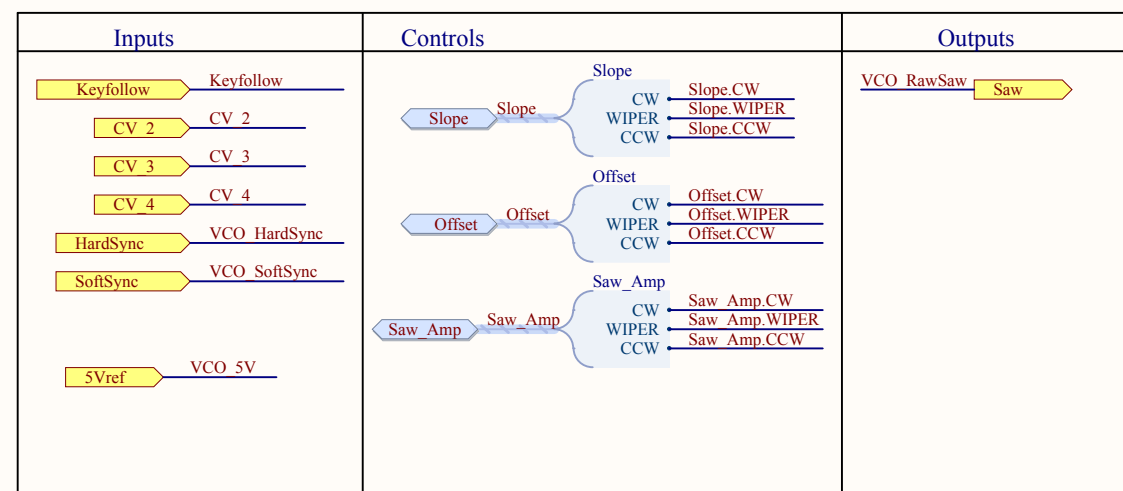
Time: 16:34:53

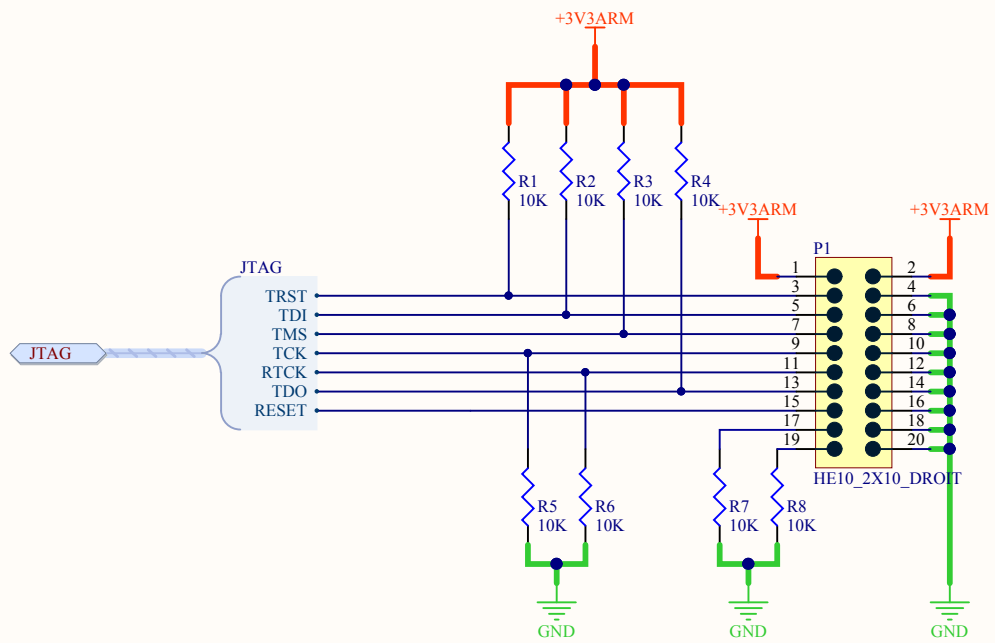
Sheet 15 of 24

File: G:\MicroBrute_publicRelease\Modules\Analog\SawToTriangle.SchDoc

Arturia
 30, chemin du vieux chene
 38240 Meylan
 FRANCE

ARTURIA



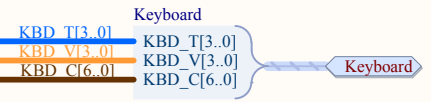
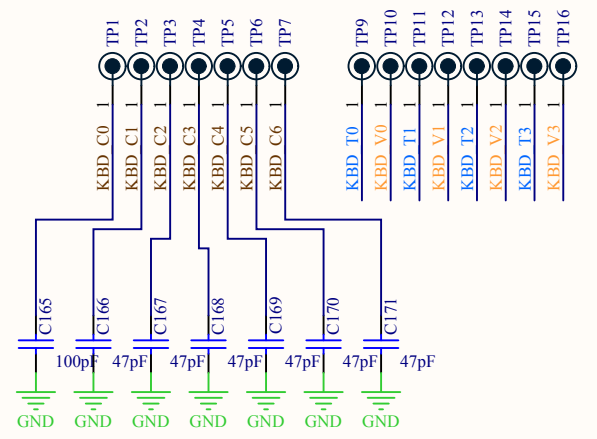
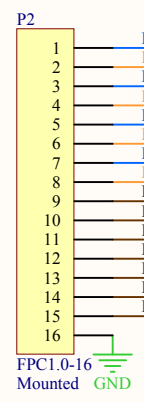
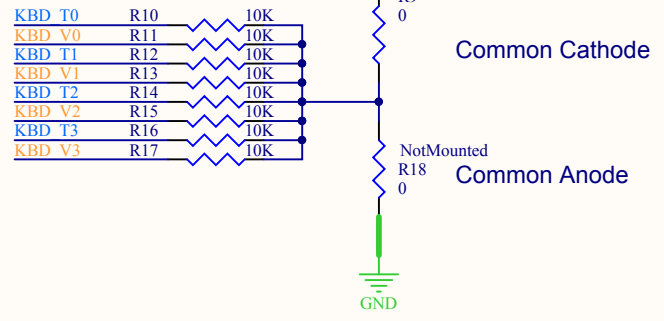


Details of this schematic are subject to change without notice.
 Any modification to any MiniBrute will immediately void its warranty.
 Arturia or any of its affiliates will not accept responsibility for any damages, personal loss or injury that may result from any modification

Title JTAG.SchDoc		
Size: A4	Number: 17	Revision: B
Date: 03/09/2015	Time: 16:34:54	Sheet 17 of 24
File: G:\MicroBrute_publicRelease\Modules\Digital\JTAG.SchDoc		

Arturia
 30, chemin du vieux chene
 38240 Meylan
 FRANCE

ARTURIA



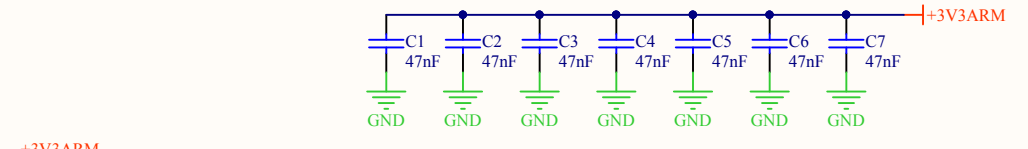
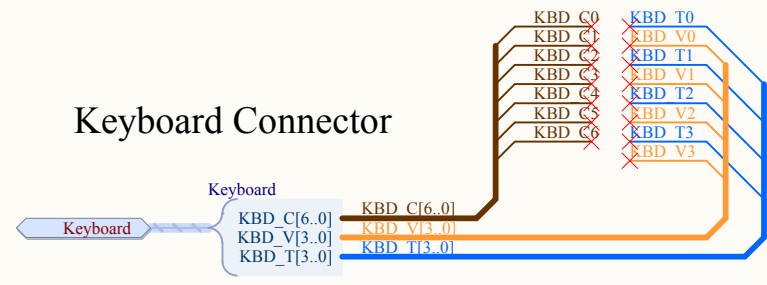
Details of this schematic are subject to change without notice.
 Any modification to any MiniBrute will immediately void its warranty.
 Arturia or any of its affiliates will not accept responsibility for any damages, personal loss or injury that may result from any modification

Title Keyboard25MP.SchDoc		
Size: A4	Number: 18	Revision: B
Date: 03/09/2015	Time: 16:34:54	Sheet 18 of 24
File: G:\MicroBrute_publicRelease\Modules\Digital\Keyboard25MP.SchDoc		

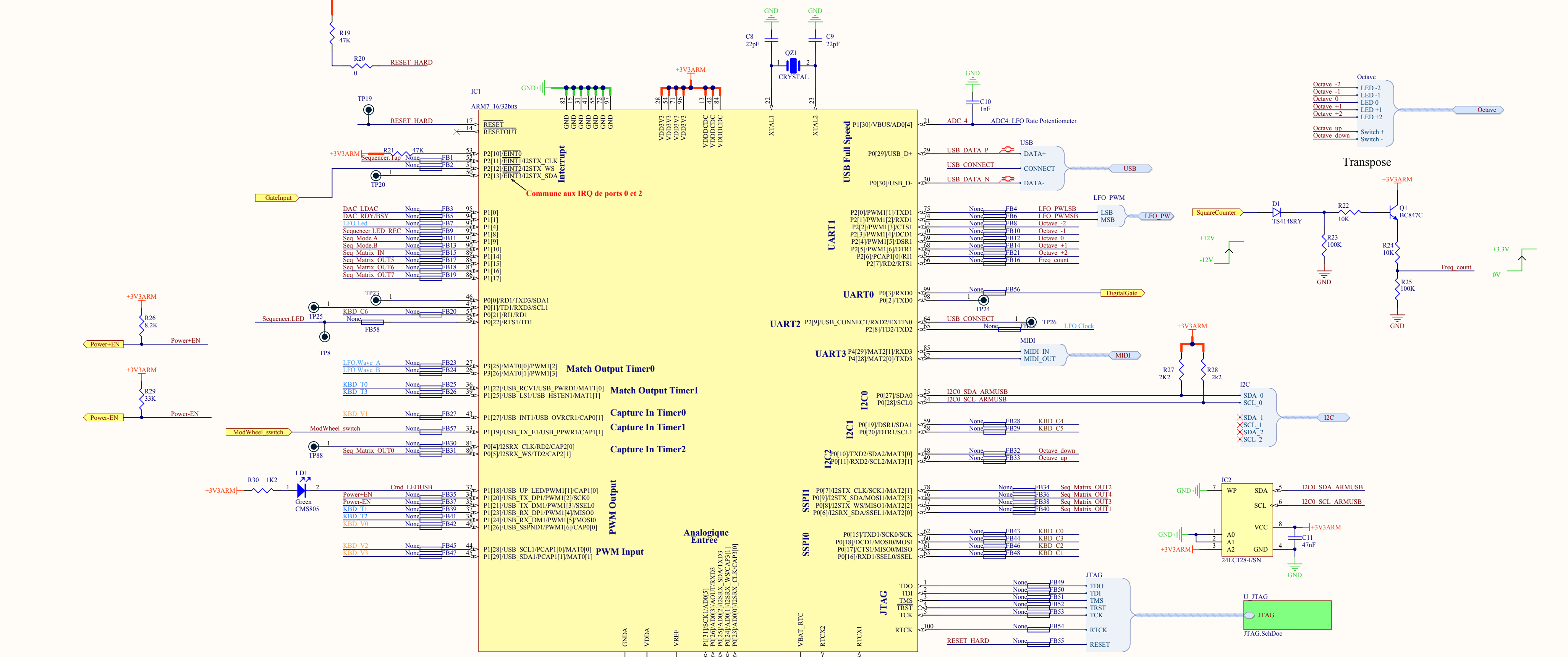
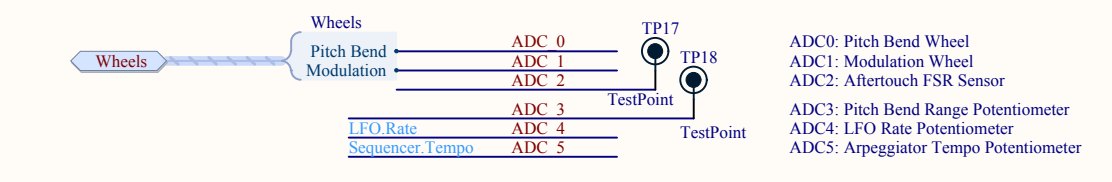
Arturia
 30, chemin du vieux chene
 38240 Meylan
 FRANCE

ARTURIA

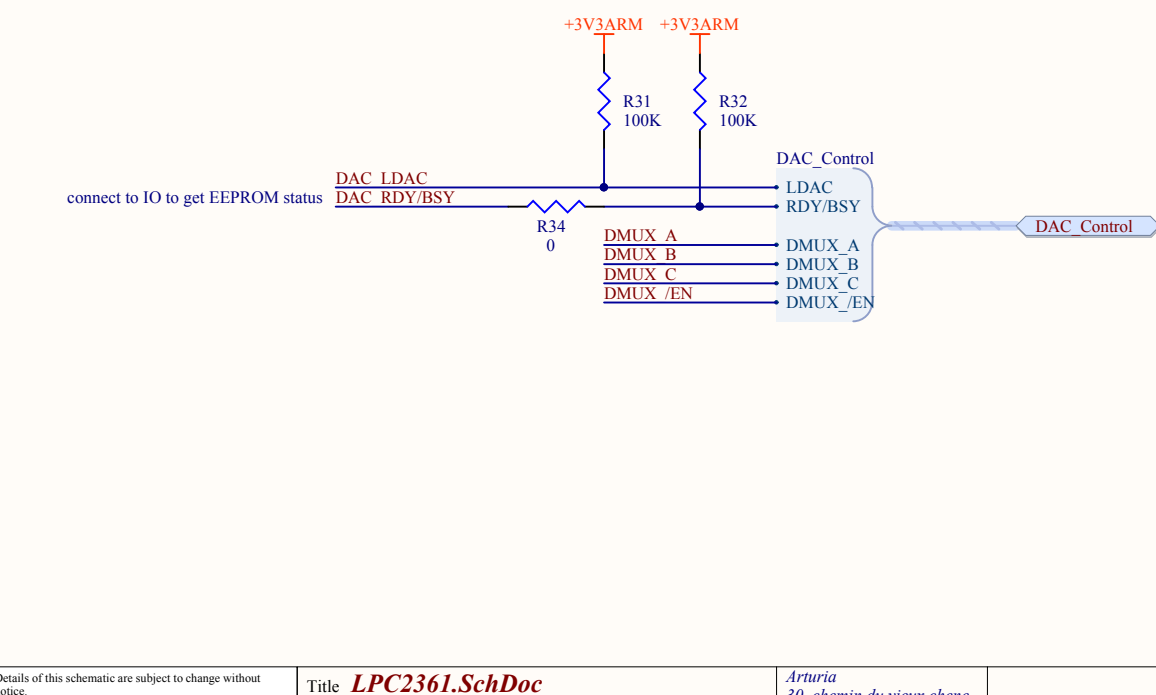
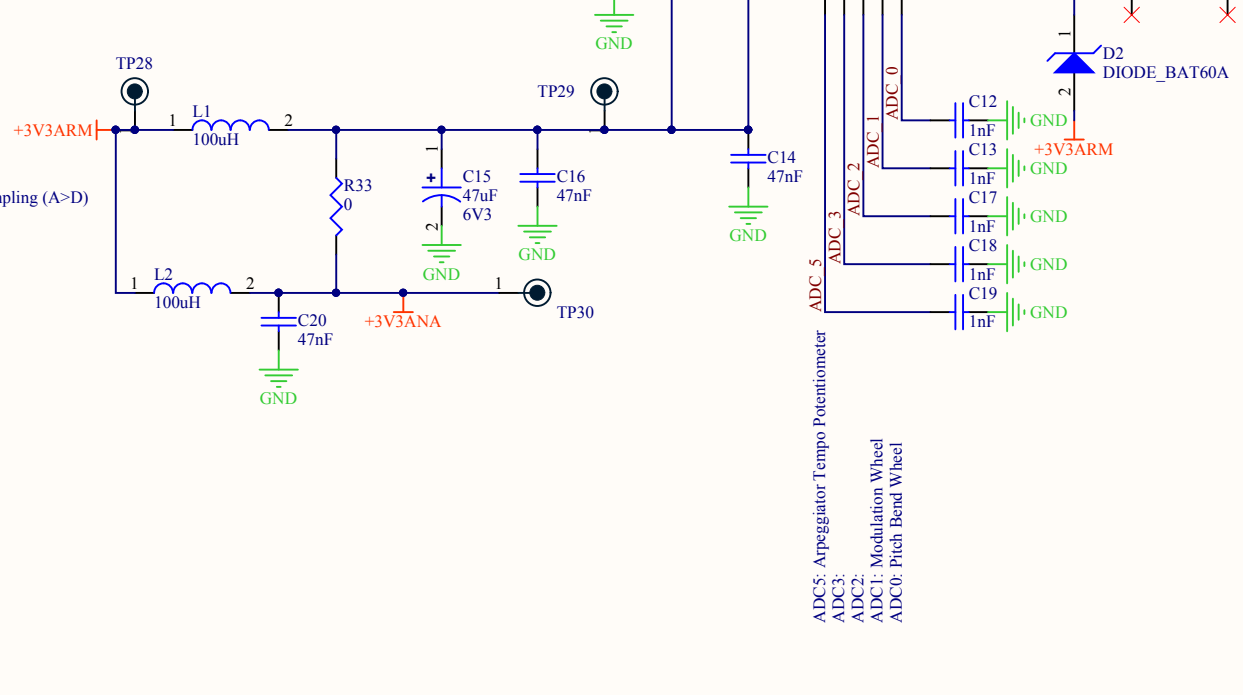
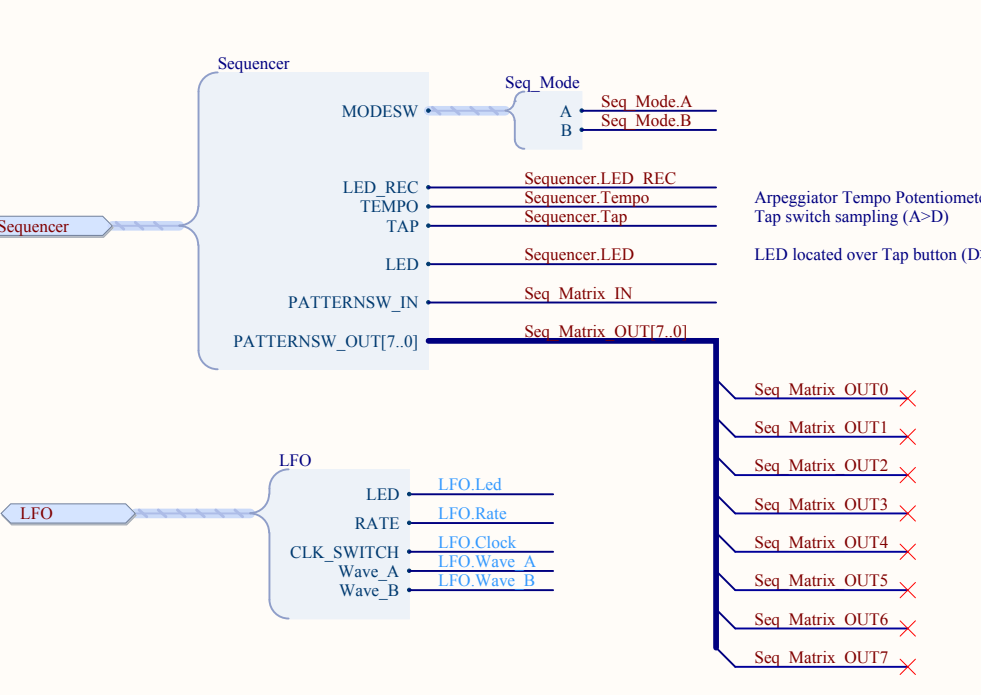
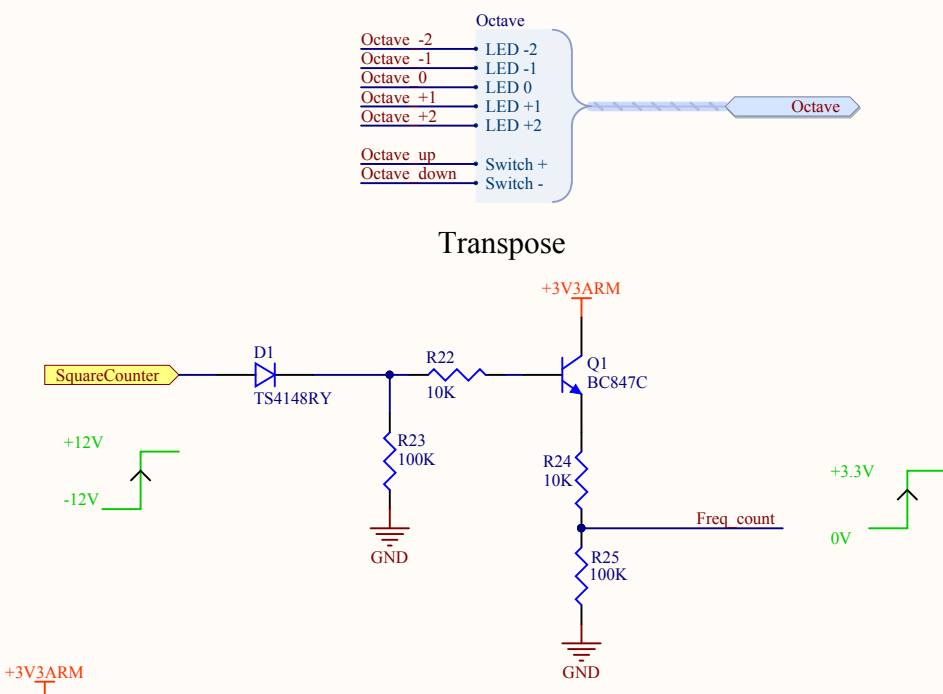
Keyboard Connector

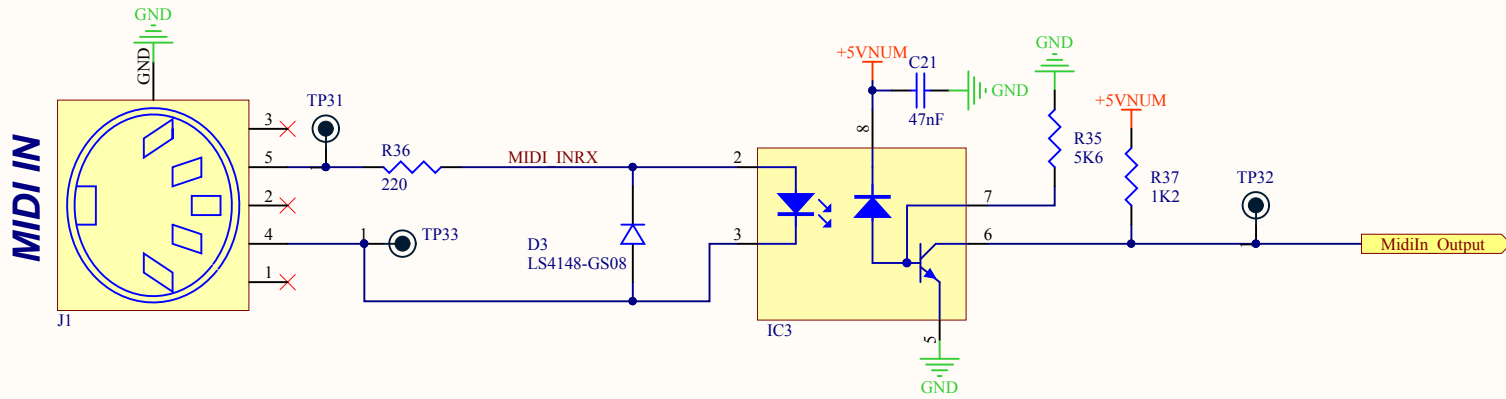


Analog to Digital Converter



Transpose



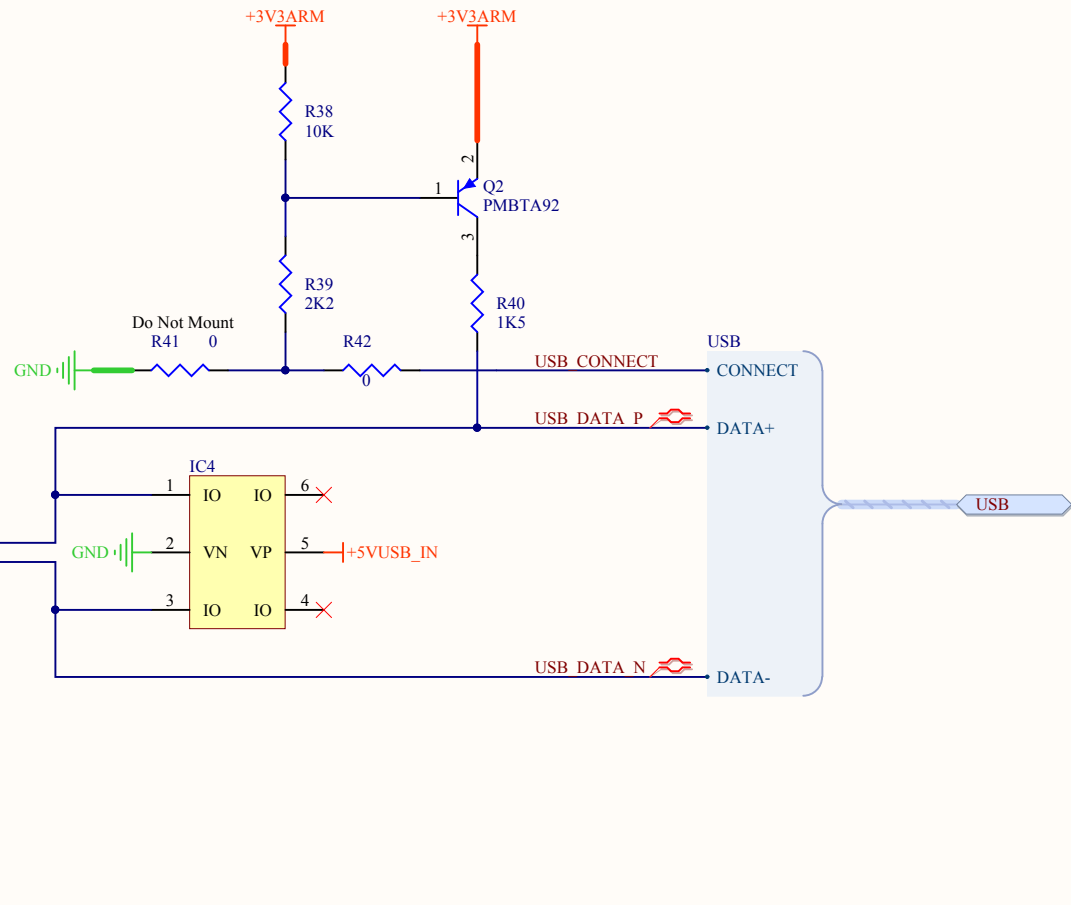


Details of this schematic are subject to change without notice.
 Any modification to any MiniBrute will immediately void its warranty.
 Arturia or any of its affiliates will not accept responsibility for any damages, personal loss or injury that may result from any modification

Title MIDIIn.SchDoc		
Size: A4	Number: 20	Revision: B
Date: 03/09/2015	Time: 16:34:54	Sheet 20 of 24
File: G:\MicroBrute_publicRelease\Modules\Digital\MIDIIn.SchDoc		

Arturia
 30, chemin du vieux chene
 38240 Meylan
 FRANCE

ARTURIA



Details of this schematic are subject to change without notice.
 Any modification to any MiniBrute will immediately void its warranty.
 Arturia or any of its affiliates will not accept responsibility for any damages, personal loss or injury that may result from any modification

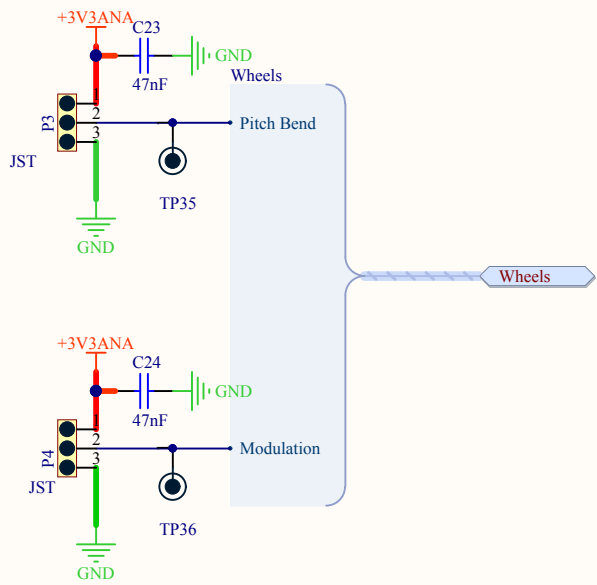
Title USB.SchDoc		
Size: A4	Number: 21	Revision: B
Date: 03/09/2015	Time: 16:34:54	Sheet 21 of 24
File: G:\MicroBrute_publicRelease\Modules\Digital\USB.SchDoc		

Arturia
 30, chemin du vieux chene
 38240 Meylan
 FRANCE

ARTURIA

Pitch Bend Wheel: 100K Lin Potentiometer

Modulation Wheel: 100K Lin Potentiometer

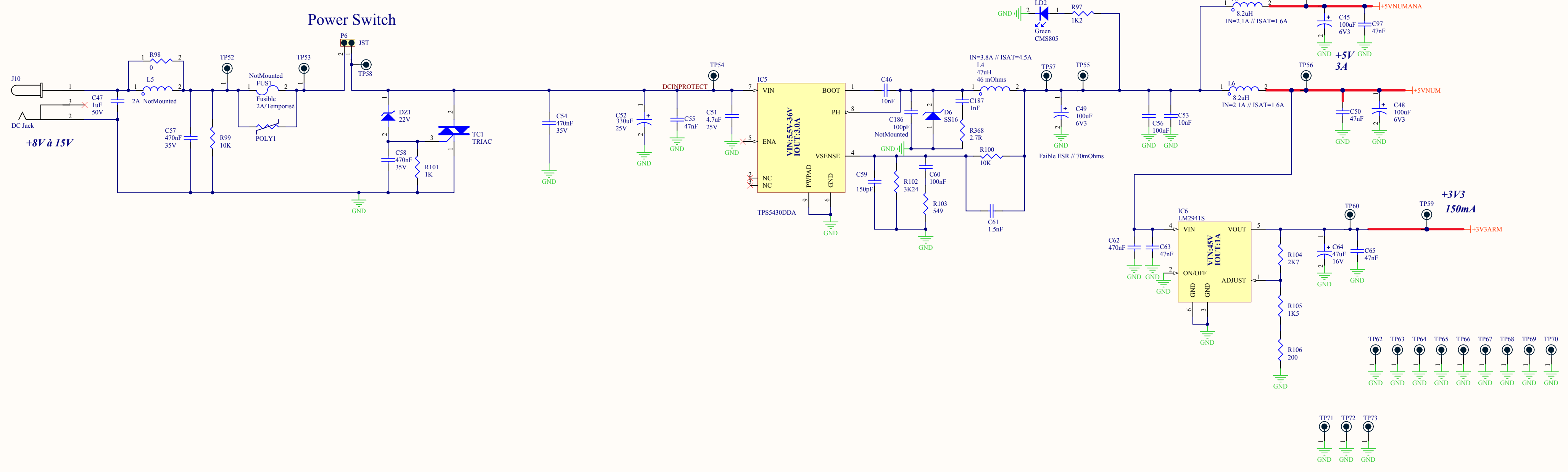


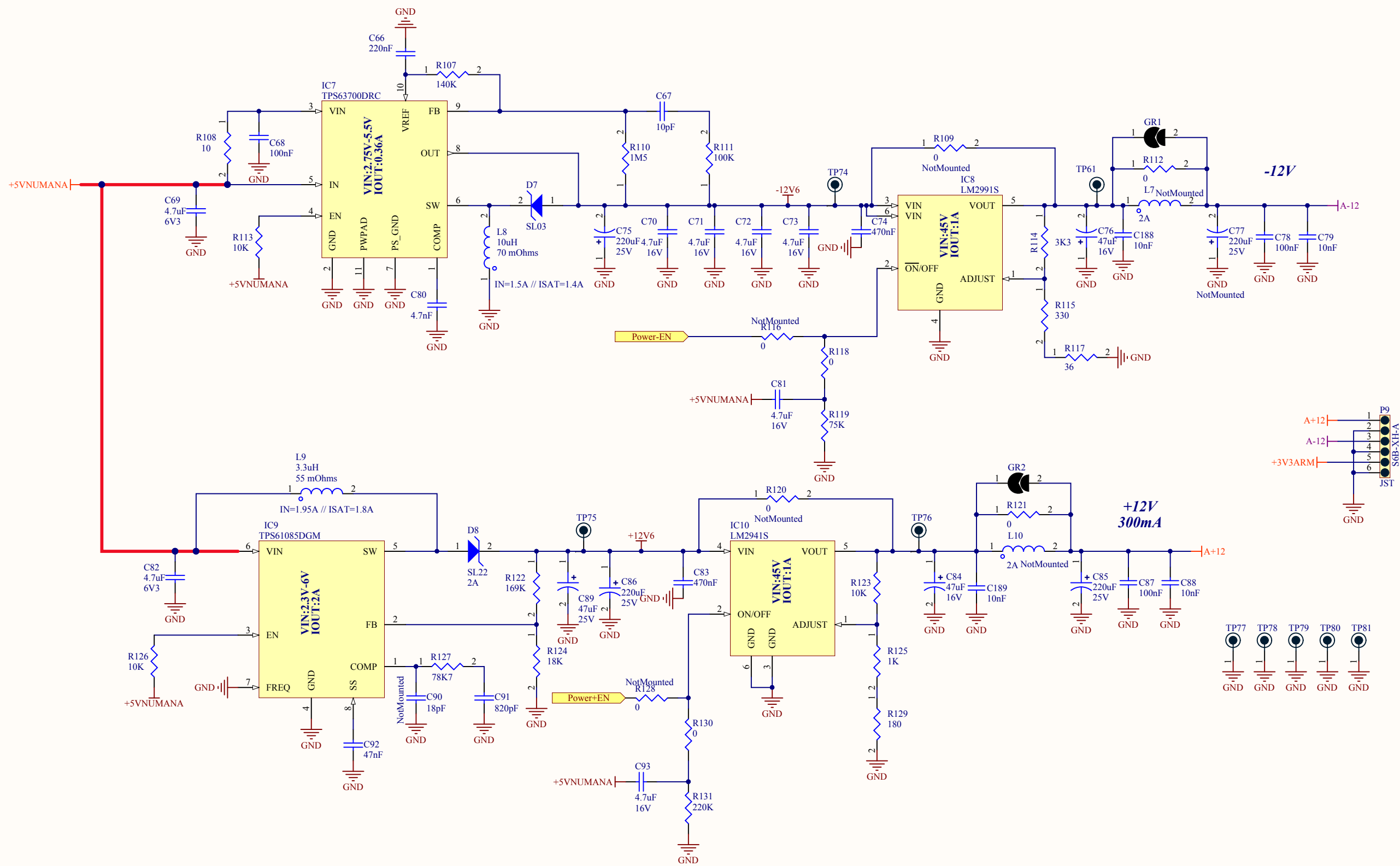
Details of this schematic are subject to change without notice.
 Any modification to any MiniBrute will immediately void its warranty.
 Arturia or any of its affiliates will not accept responsibility for any damages, personal loss or injury that may result from any modification

Title Wheels.SchDoc		
Size: A4	Number: 22	Revision: B
Date: 03/09/2015	Time: 16:34:54	Sheet 22 of 24
File: G:\MicroBrute_publicRelease\Modules\Digital\Wheels.SchDoc		

Arturia
 30, chemin du vieux chene
 38240 Meylan
 FRANCE

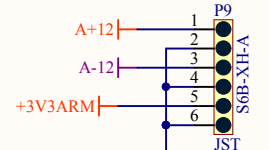
ARTURIA



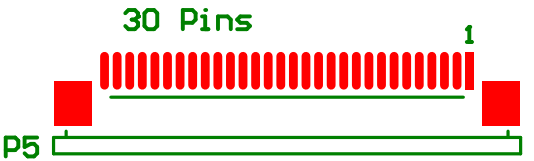
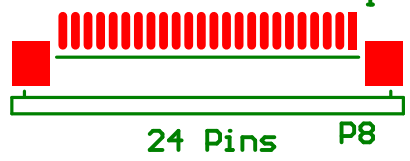
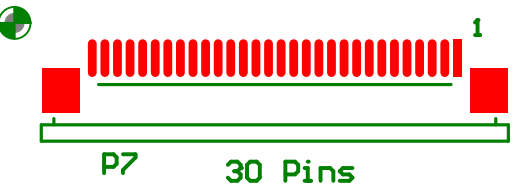


-12V

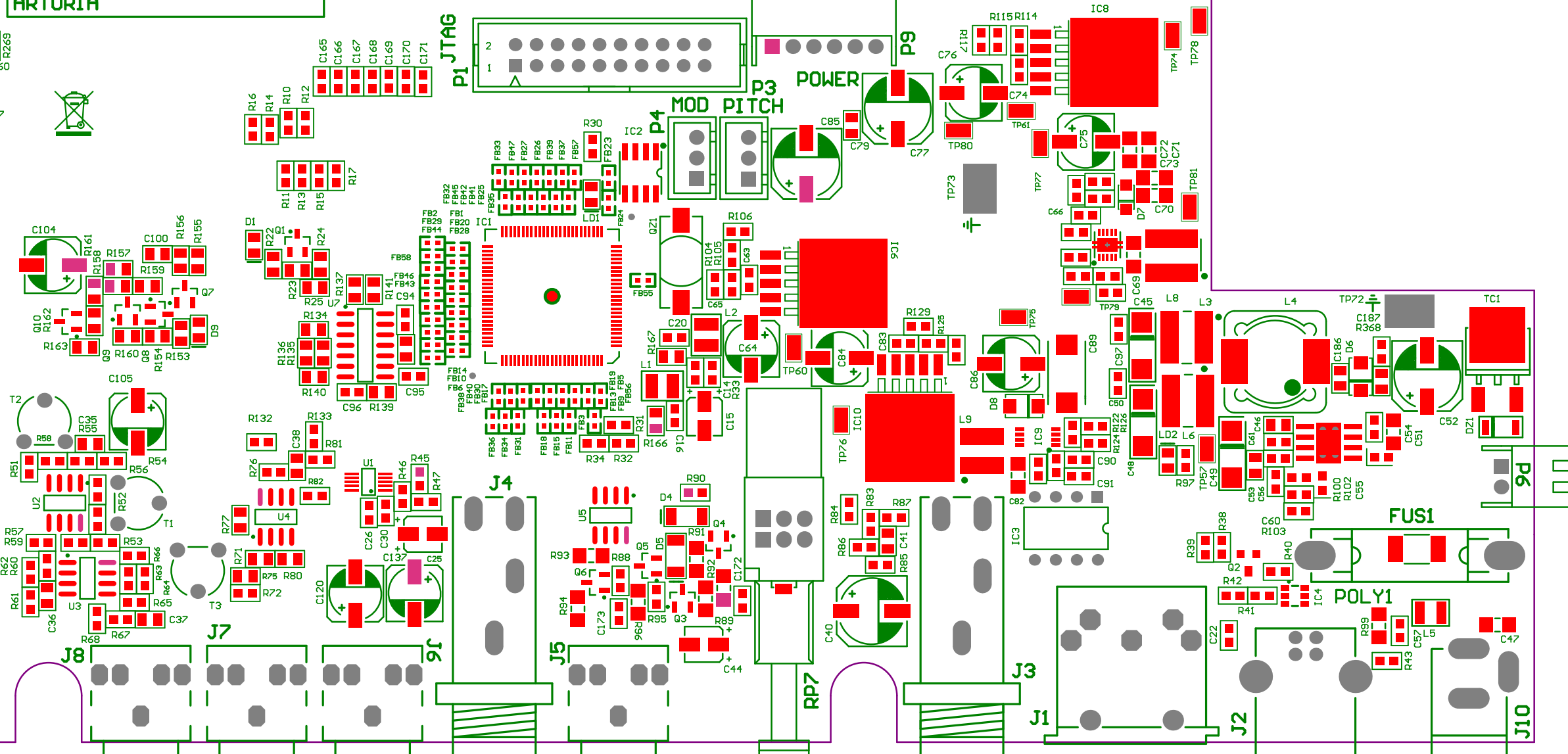
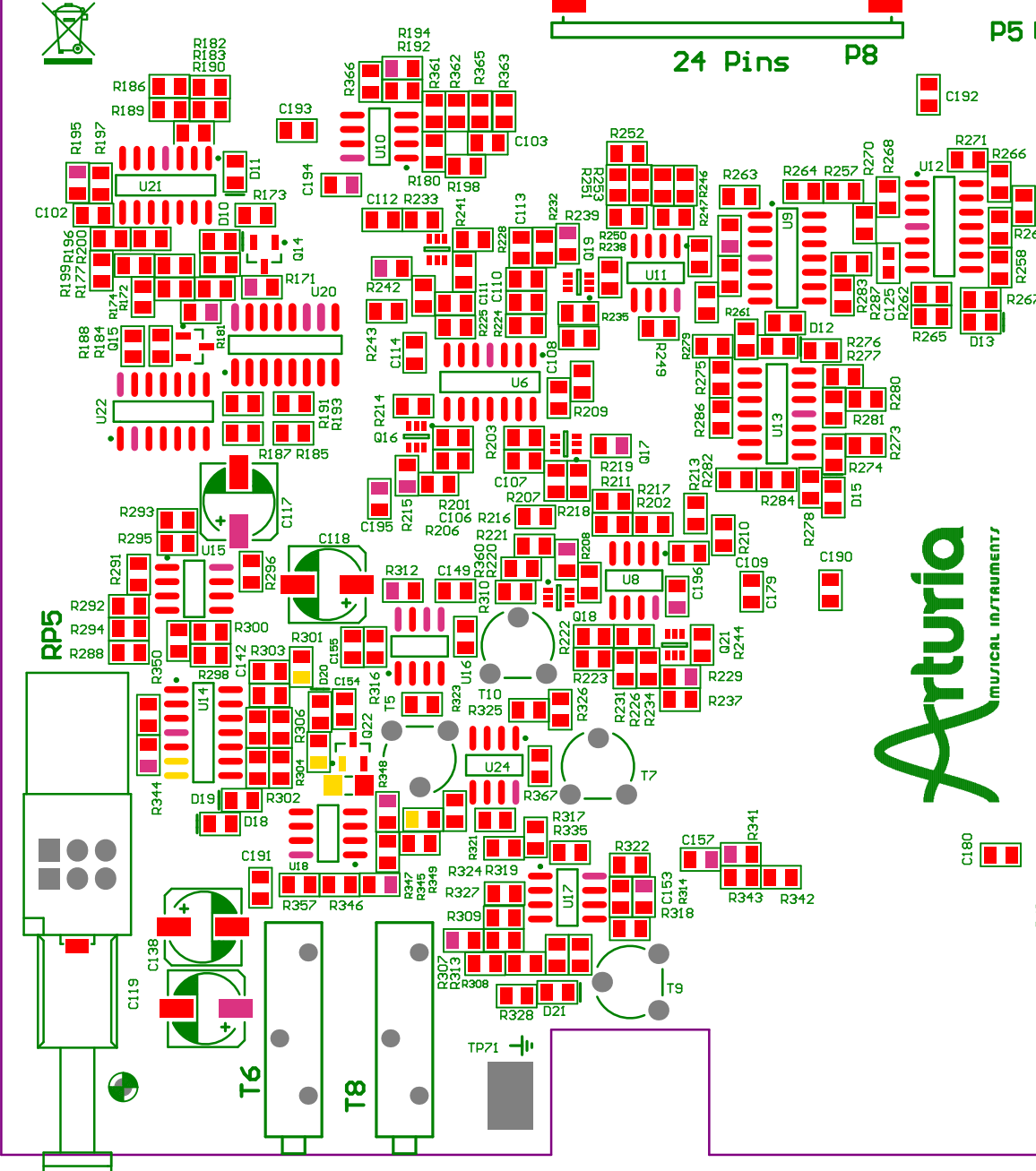
**+12V
300mA**



<small>Details of this schematic are subject to change without notice. Any modification to any MiniBrute will immediately void its warranty. Arturia or any of its affiliates will not accept responsibility for any damages, personal loss or injury that may result from any modification.</small>			Title <i>Power5to+-12.SchDoc</i>		<small>Arturia 30, chemin du vieux chene 38240 Meylan FRANCE</small>		ARTURIA
Size: A3	Number: 24	Revision: B					
Date: 03/09/2015	Time: 16:34:54	Sheet 24 of 24					
File: G:\MicroBrute\publicRelease\Modules\Power\Power5to+-12.SchDoc							



MicroBrute : Rear Board
CU17002
VERSION B1
ARTURIA



MicroBrute : Rear Board
 CUI7002
 ARTURIA



KEYBOARD

